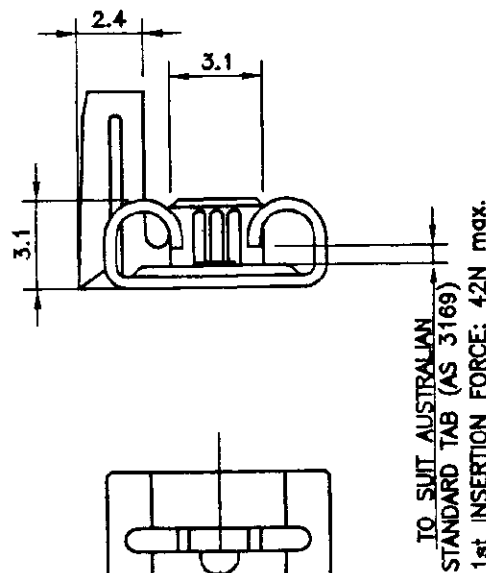
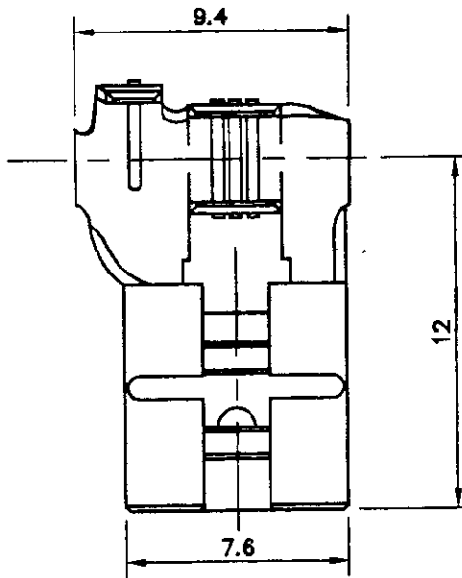
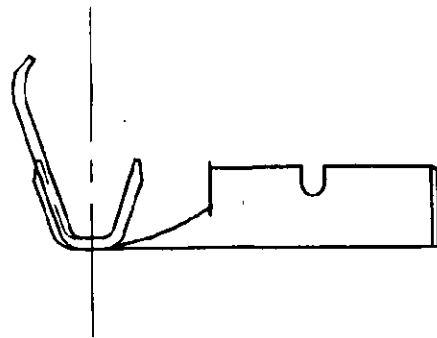
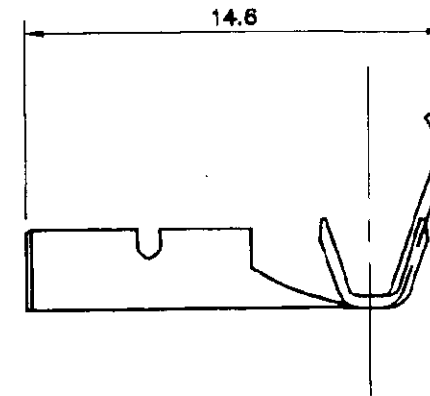


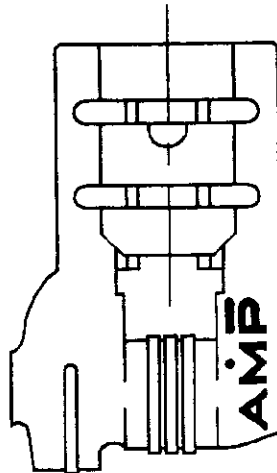
DRAWING MADE IN THIRD ANGLE PROJECTION



TO SUIT AUSTRALIAN
STANDARD TAB (AS 3169)
1st INSERTION FORCE: 42N max.



CONTROLLED



1 OBSOLETE PARTS: OBSOLETE CIS STREAMLINING PER D.RENAUD/D.SINISI

THIS INFORMATION IS CONFIDENTIAL AND DISCLOSED TO YOU ON CONDITION THAT NO FURTHER DISCLOSURE IS MADE BY YOU TO OTHER THAN AMP PERSONNEL WITHOUT WRITTEN AUTHORIZATION FROM AUSTRALIAN AMP

REMARKS	FINISH	MATERIAL	PART No
-	PRE TIN	BRASS	190735-7
-	TIN PLATED	BRASS	190735-4
-	-	NICKEL SILVER	190735-2
-	-	BRASS	190735-1

WIRE RANGE: 0,5-1.5 sq mm		SIZE 0.4±0.013X19.3±0.05	
INSULATION RANGE: ø2.29-3.3 mm		DATE 24/01/95	
		CHK VK	APP BL
		AMP Australian AMP Pty. Limited Hudson Avenue, CASTLE HILL NSW	
		NAME	
		RECEPTACLE, FLAG, FASTON, LOW INSERTION FORCE 0.250	
		SCALE AS SHOWN	SIZE A3
		DWG No. C-190735	
		SHEET 1 OF 1	REV A1

3 2 CUSTOMER DRAWING 1

ORIGINAL

单击下面可查看定价，库存，交付和生命周期等信息

[>>TE Connectivity\(泰科\)](#)