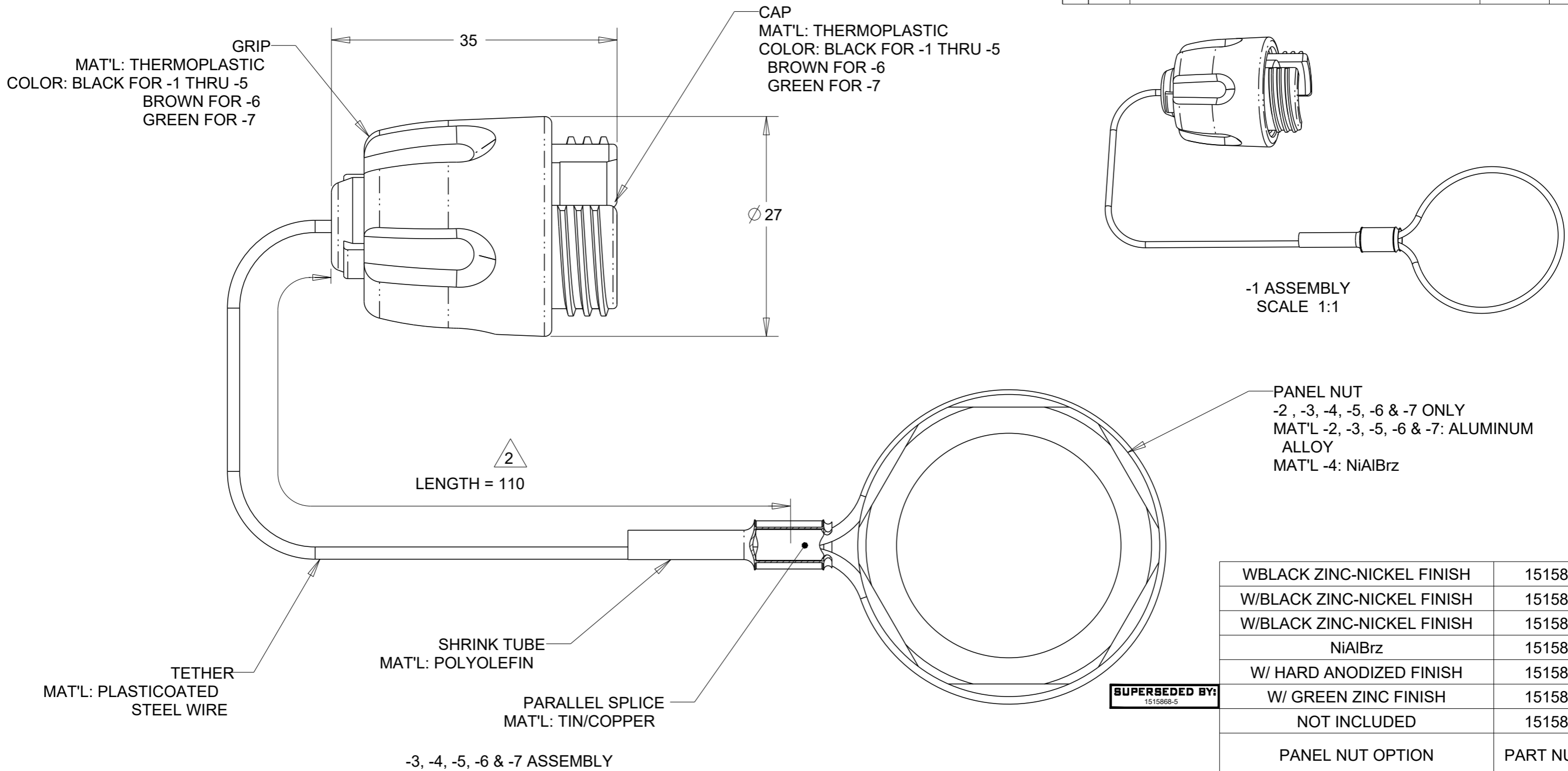


THIS DRAWING IS UNPUBLISHED. RELEASED FOR PUBLICATION 20
 © COPYRIGHT20 BY - ALL RIGHTS RESERVED.

REVISIONS					
P	LTR	DESCRIPTION	DATE	DWN	APVD
	H	ECR-15-011044	13AUG2015	KG	DW
	J	ECR-19-008989	17JUN2019	TS	DW
	J1	ECR-20-007401	08JUL2020	TS	DW

1. DIMENSIONS ARE FOR REFERENCE ONLY.

2. DIMENSIONED TO CENTER OF PARALLEL SPLICE.



SUPERSEDED BY:
1515868-5

THIS DRAWING IS A CONTROLLED DOCUMENT.		DWN 14OCT2002 K.GLATFELTER	
DIMENSIONS: mm		CHK 15OCT2002 D. WERTMAN	
TOLERANCES UNLESS OTHERWISE SPECIFIED:		APVD 15OCT2002 D. WERTMAN	NAME PROTECTIVE CAP FOR BULKHEAD PRO BEAM JR.
0 PLC ± 1 PLC ± 2 PLC ± 3 PLC ± 4 PLC ± ANGLES ±		PRODUCT SPEC -	SIZE A3
MATERIAL AS LISTED		APPLICATION SPEC -	CAGE CODE 00779
FINISH -		WEIGHT -	DRAWING NO 1515868
-		Customer Drawing	RESTRICTED TO -
		SCALE 1:1	SHEET 1 OF 1
			REV J1

单击下面可查看定价，库存，交付和生命周期等信息

[>>TE Connectivity\(泰科\)](#)