

4

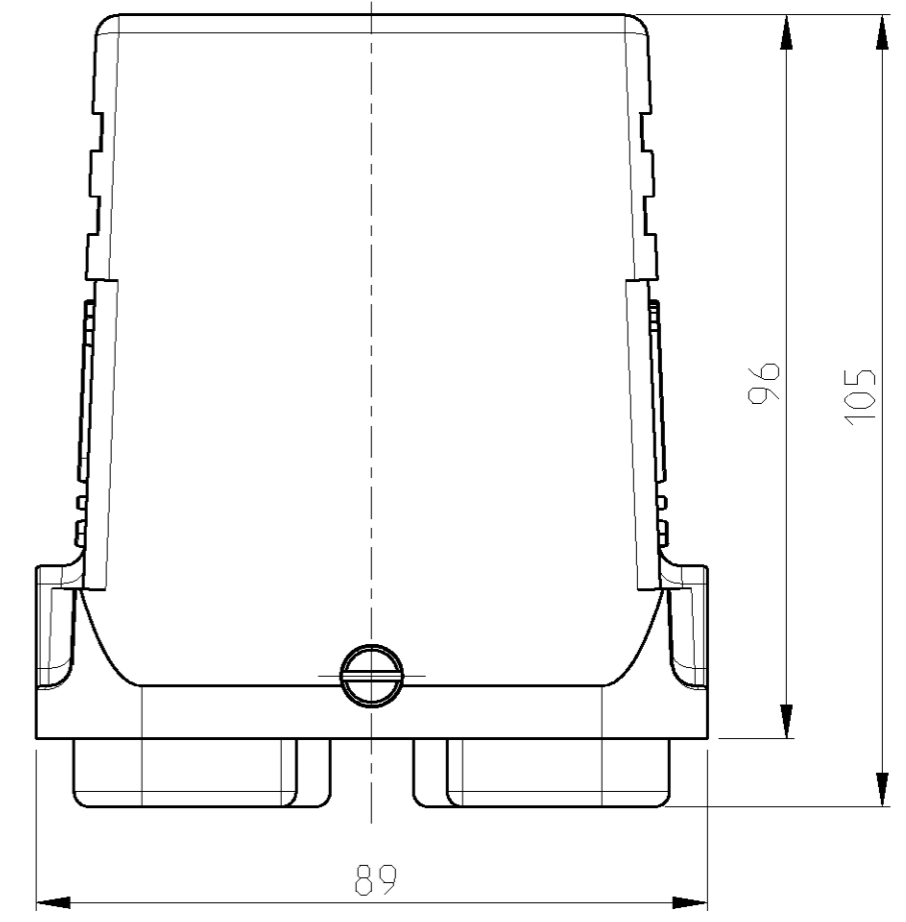
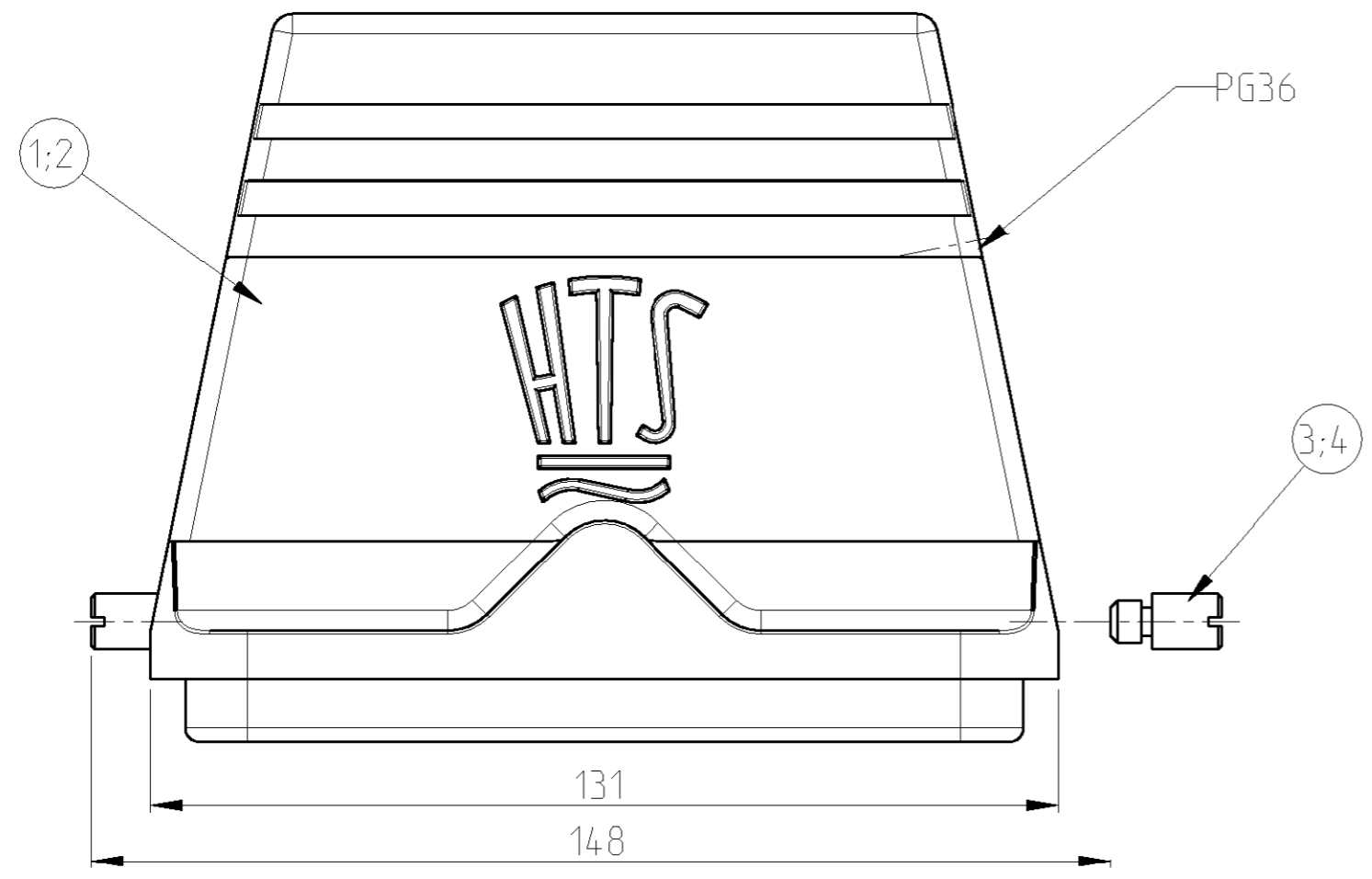
3

2

1

THIS DRAWING IS UNPUBLISHED. RELEASED FOR PUBLICATION 2006
 © COPYRIGHT 2006 BY TYCO ELECTRONICS CORPORATION. ALL RIGHTS RESERVED.

LOC	DIST	REVISIONS				
P	LTR	DESCRIPTION	DATE	DWN	APVD	
A1	-	A2	NEW PRO/E DRAWING ECR-07-019748	16AUG2007	SR	ST



2-7	1-7	DESCRIPTION	MATERIAL	SURFACE	COLOR	ITEM	NOTES
		CLIP BOLT	STAINLESS STEEL			4	
		CLIP BOLT	STEEL		BLUE	3	
		HOOD HB	ALUMINIUM/ALU	ALUMINIUM OXID	BLACK	2	
		HOOD HB	ALUMINIUM/ALU		GREY	1	
		HB.48.STS-GR.1.36.G					
		HB-K.48.STS-GR.1.36.G					

- NOTES
- PART SHALL BE FREE AND CLEAN OF BURRS AND OTHER FOREIGN MATERIAL
 - PACKAGING: QUANTITY 3 PIECES
 - VARNISHING INSIDE HOUSING NOT REQUIRED

THIS DRAWING IS A CONTROLLED DOCUMENT FOR TYCO ELECTRONICS CORPORATION IT IS SUBJECT TO CHANGE AND THE CONTROLLING ENGINEERING ORGANIZATION SHOULD BE CONTACTED FOR THE LATEST REVISION.

DIMENSIONS:	TOLERANCES UNLESS OTHERWISE SPECIFIED:	DWN	16AUG2007	 tyco Electronics AMP GmbH 53819 Neunkirchen (Germany)
mm	0 PLC ±	CHK	17AUG2007	
	1 PLC ±	APVD	-	NAME
MATERIAL	2 PLC ±	PRODUCT SPEC	-	HOOD
	3 PLC ±	APPLICATION SPEC	-	ASSY HB.48.STS-GR.1.36.G
	4 PLC ±	WEIGHT	-	SIZE
	ANGLES ±1°	CUSTOMER DRAWING		CAGE CODE
	FINISH	SCALE	5:1	DRAWING NO
		SHEET	1 OF 1	RESTRICTED TO
		REV	A2	

单击下面可查看定价，库存，交付和生命周期等信息

[>>TE Connectivity\(泰科\)](#)