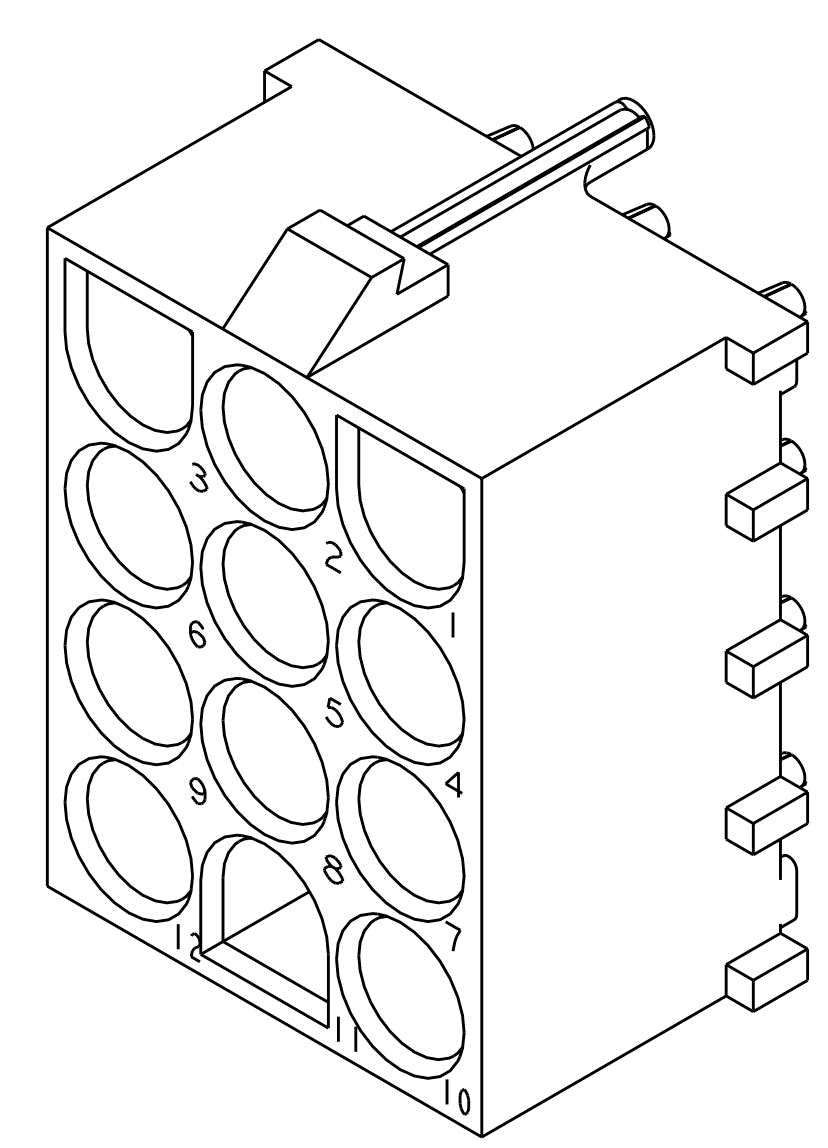
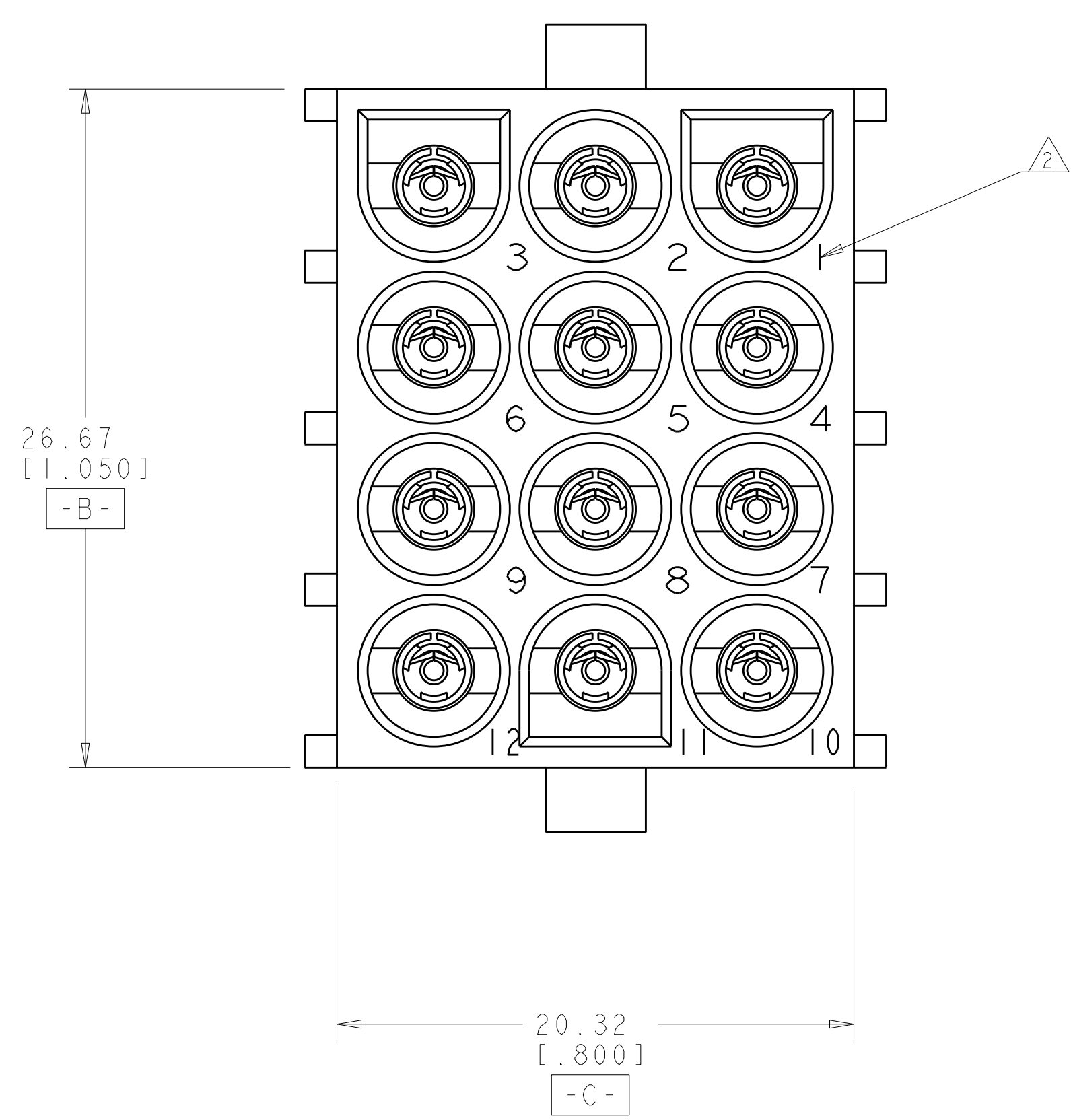
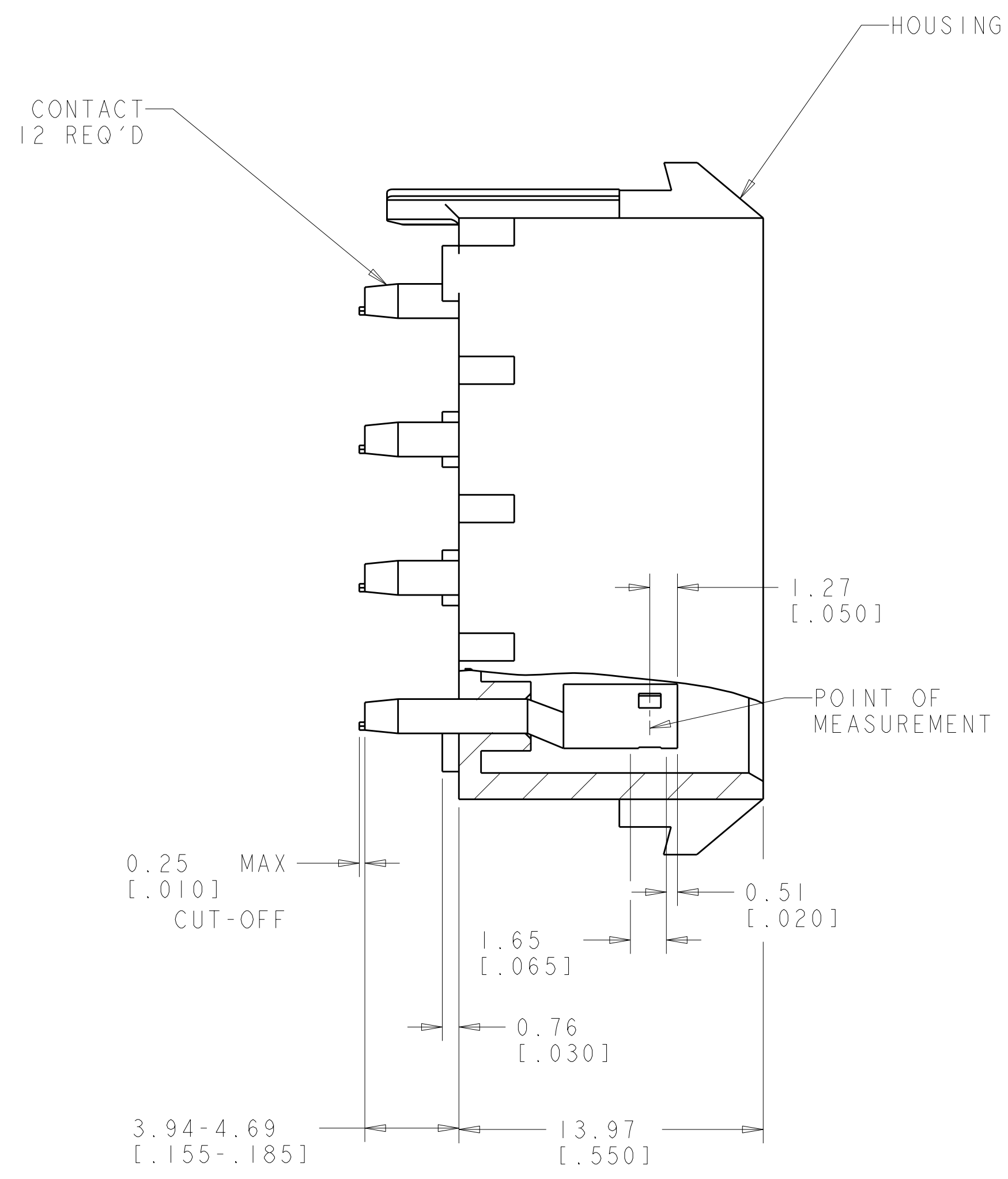
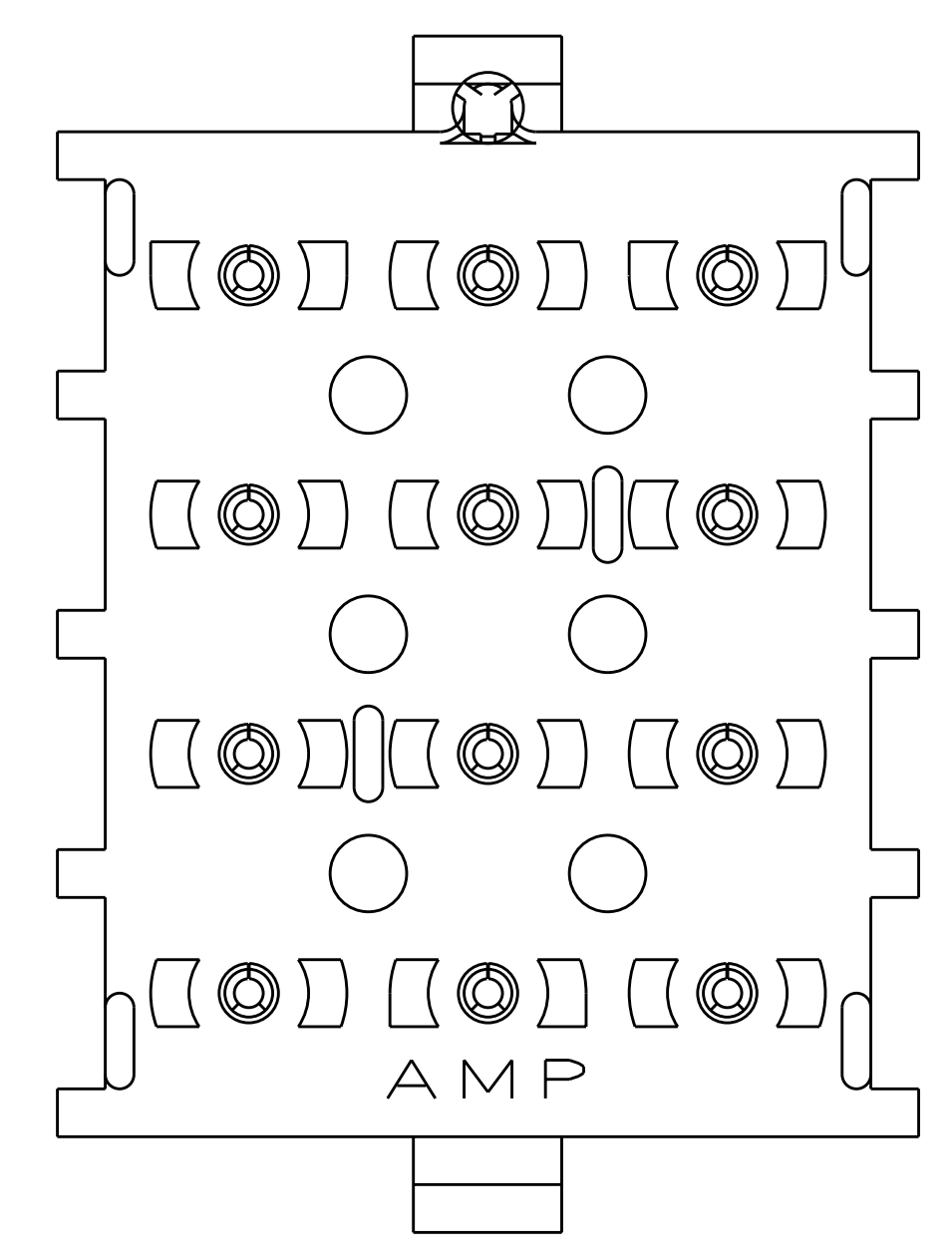
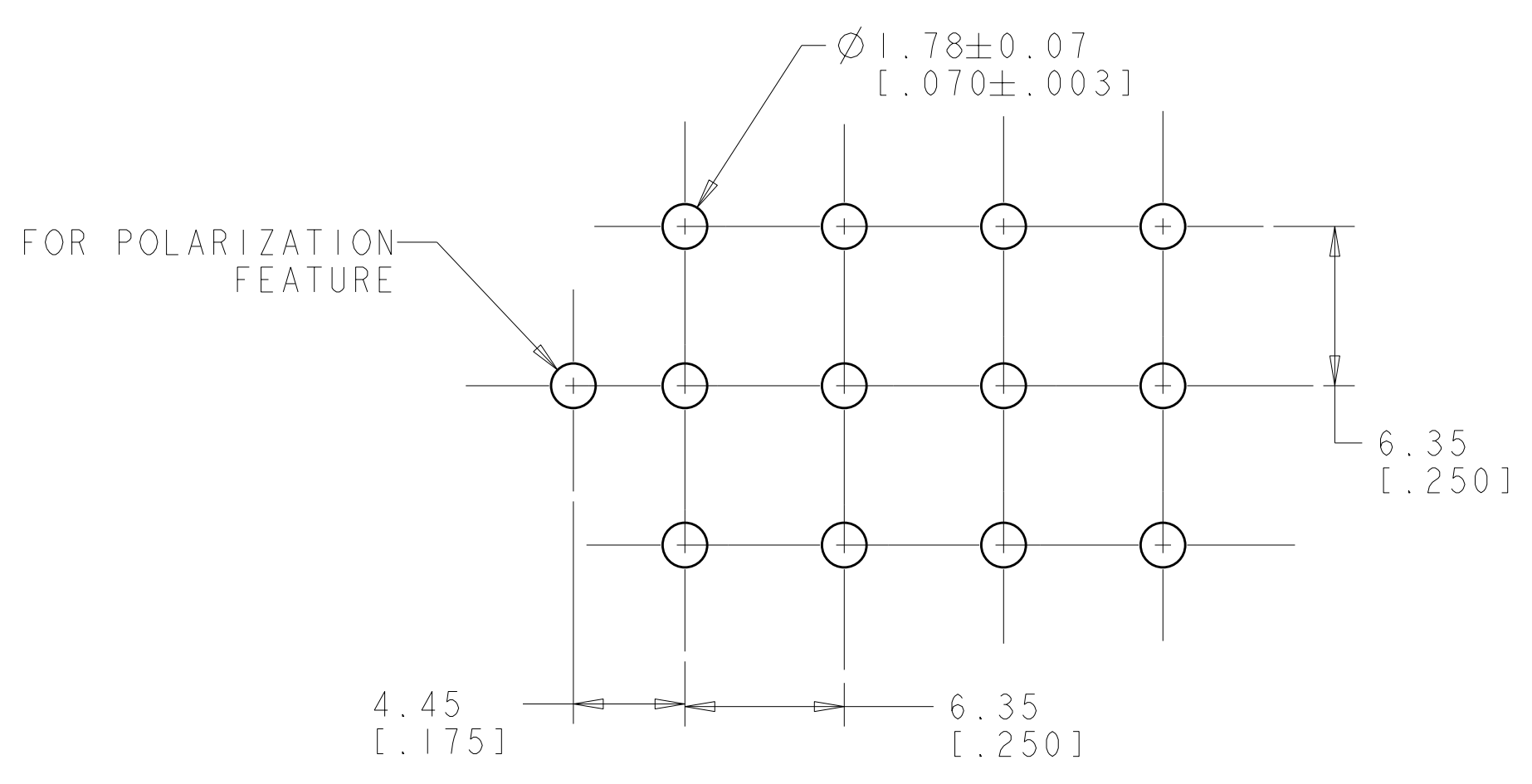


LOC	DIST	REVISIONS			
CM	00	REV	DATE	BY	APP'D
		H	20-APR-01	KW	CJ
		H	29NOV2007	KW	DC

- PARTS COMPLY WITH AMP SOLDERABILITY SPEC.109-11-2.
- CIRCUIT IDENTIFICATION CHARACTERS ARE ADJACENT TO THE INDICATED CAVITIES, BUT LOCATION AND ORIENTATION MAY DIFFER FROM PRINT.
- CONTACT IS PLATED OVERALL WITH 0.00127 [.000050] NICKEL, THEN 0.00076 [.000030] GOLD OVER CONTACT LENGTH INDICATED AND MATTE TIN ON SOLDER TAIL END.



3 DIMENSIONAL MODEL
SCALE 4:1



RECOMMENDED LAYOUT FOR
1.57 [.062] THICK P.C. BOARD

PH BRZ	GOLD Δ	NYLON, 94V-0	BLACK	643428-3
PH BRZ	PRE-TIN	NYLON, 94V-0	BLACK	643428-2
PH BRZ	PRE-TIN	NYLON, 94V-0	WHITE	643428-1
MATERIAL	FINISH	MATERIAL	COLOR	PART NO
PIN		HOUSING		

DIMENSIONS: mm [INCHES]		TOLERANCES UNLESS OTHERWISE SPECIFIED:		DWN: R. WHITAKER 01DEC2000		CHK: S. RIDGILL 01DEC2000		APVD: S. RIDGILL 01DEC2000		NAME: Tyco Electronics Harrisburg, PA 17105-3608	
9 PLC	±	0 PLC	±	01DEC2000	01DEC2000	NAME: HEADER ASSEMBLY, SOCKET, POLARIZED, 12 CIRCUIT, UNIVERSAL MATE-N-LOK(TM)		SIZE: A		RESTRICTED TO	
1 PLC	±0.13(.005)	1 PLC	±			APPLICATION SPEC:		CAGE CODE: 00779		DRAWING NO: 643428	
2 PLC	±	2 PLC	±			WEIGHT:		SCALE: 4:1		SHEET 1 OF 1	
3 PLC	±	3 PLC	±			FINISH: SEE TABLE		CUSTOMER DRAWING		REV: H	
4 PLC	±	4 PLC	±			MATERIAL: SEE TABLE					
ANGLES	±	ANGLES	±								



单击下面可查看定价，库存，交付和生命周期等信息

[>>TE Connectivity\(泰科\)](#)