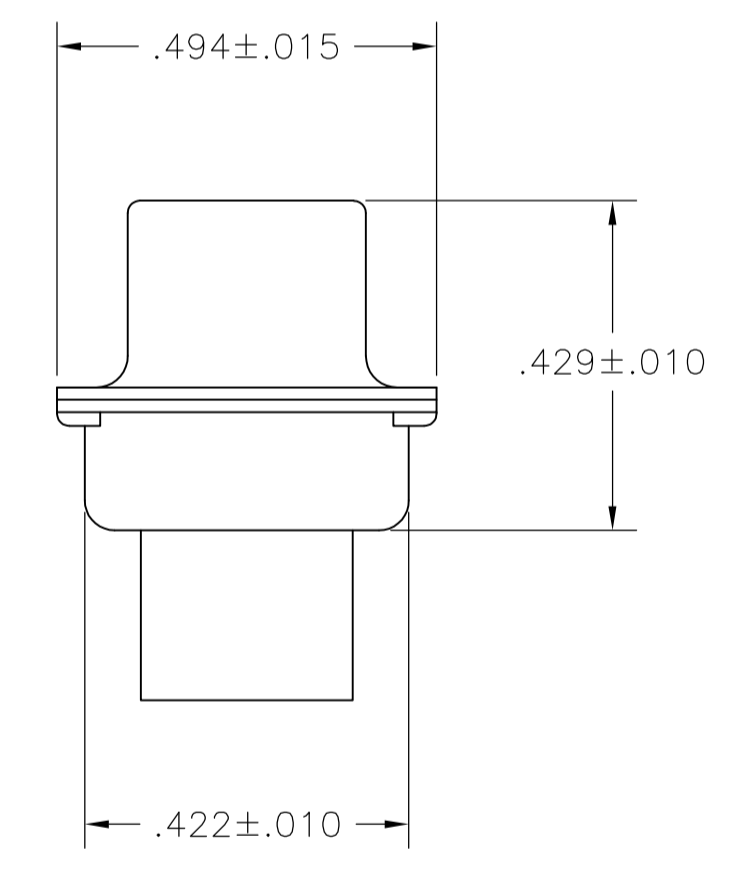
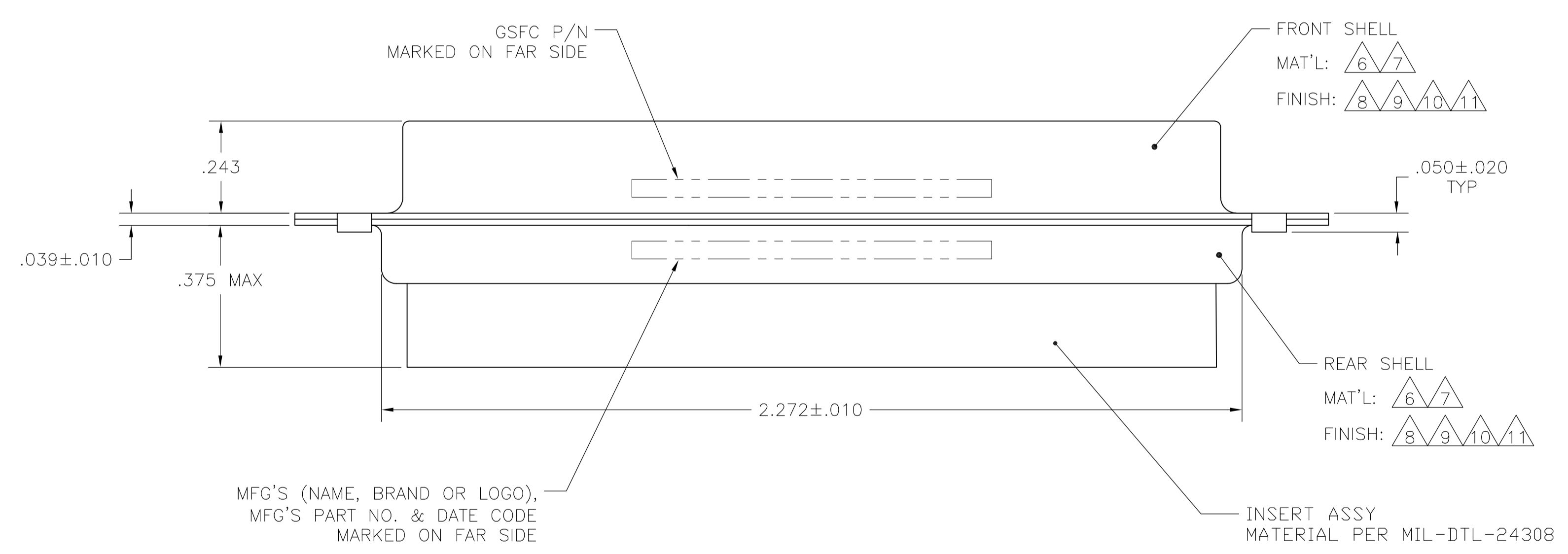
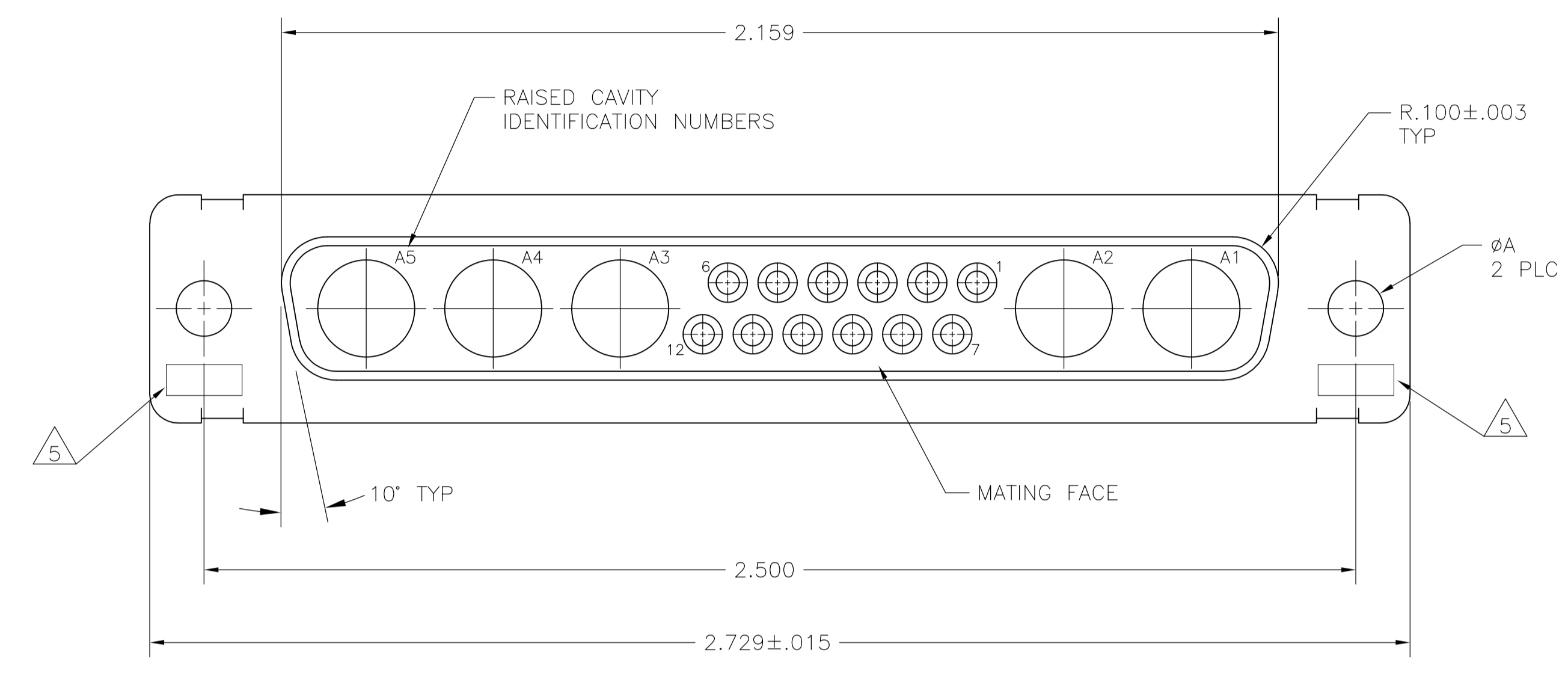


REVISONS		DATE	DN	APVD
LOC	DIST	DESCRIPTION		
P	LTR			
P		REV PER ECO-15-016251	13NOV15	KG CD

- THIS RECEPTACLE WILL MATE WITH ANY 17C5, SIZE 4 PLUG IN AMPLIMITE SERIES.
 - MAXIMUM WIRE INSULATION TO BE USED WITH THIS RECEPTACLE IS ϕ .068.
 - THIS CONNECTOR ACCEPTS (5) POWER 8, OR COAX SOCKET CONTACTS IN POSITIONS A1 THRU A5, PURCHASED SEPARATELY.
 - THIS CONNECTOR ACCEPTS SIZE 20 SOCKET SIGNAL CONTACTS IN POSITIONS 1 THRU 12, PURCHASED SEPARATELY.
- \triangle 5 UL/CSA DESIGNATION STAMPED IN THIS AREA, OPTIONAL.
 \triangle 6 STEEL PER ASTM-A-109.
 \triangle 7 BRASS PER MIL-C-50 AND ASTM-B-36 UNS NO. C26000.
 \triangle 8 FINISH: CADMIUM PLATED PER QQ-P-416.
 \triangle 9 GOLD PLATED PER MIL-G-45204 TYPE II, GRADE C, CLASS 1 OVER COPPER PER MIL-C-14550, CLASS IV.
 \triangle 10 FINISH: TIN PER ASTM-B-545 .000400 MIN THK OVER COPPER PER AMS2418 .000050 MIN THK.
 \triangle 11 FINISH: ZINC PLATE PER ASTM-B-633 .000200-.000400 THK WITH SUPPLEMENTARY CHROMATE (Cr3+).



REMARKS	ϕ A	GSFC P/N	PART NO
\triangle 6 \triangle 10	.120	-	5-212518-5
\triangle 6 \triangle 11	.120	-	5-212518-1
\triangle 6 \triangle 10	.120	-	212518-5
\triangle 7 \triangle 9	.154	311P405-17S-B-15	212518-4
\triangle 7 \triangle 9	.120	311P405-17S-B-12	212518-3
\triangle 6 \triangle 8	.120	-	212518-1

THIS DRAWING IS A CONTROLLED DOCUMENT.

DIMENSIONS: INCHES	TOLERANCES UNLESS OTHERWISE SPECIFIED:	DIN	25JAN88
0 PLC ± -	1 PLC ± -	DRW	C.C.THOMAS
2 PLC ± -	3 PLC ± .005(0.13)	CHK	A.FMADI
4 PLC ± -	ANGLES ± 0° 30'	APVD	A.FMADI
MATERIAL	FINISH	NAME	RECEPTACLE ASSEMBLY
		PRODUCT SPEC	AMPLIMITE 17C5
		APPLICATION SPEC	SIZE 4, SERIES 109, COAX MIX
		SIZE	A1
		WEIGHT	000779
		CUSTOMER DRAWING	212518

STE TE Connectivity
 SCALE 4:1 SHEET 1 OF 1 REV P

单击下面可查看定价，库存，交付和生命周期等信息

[>>TE Connectivity\(泰科\)](#)