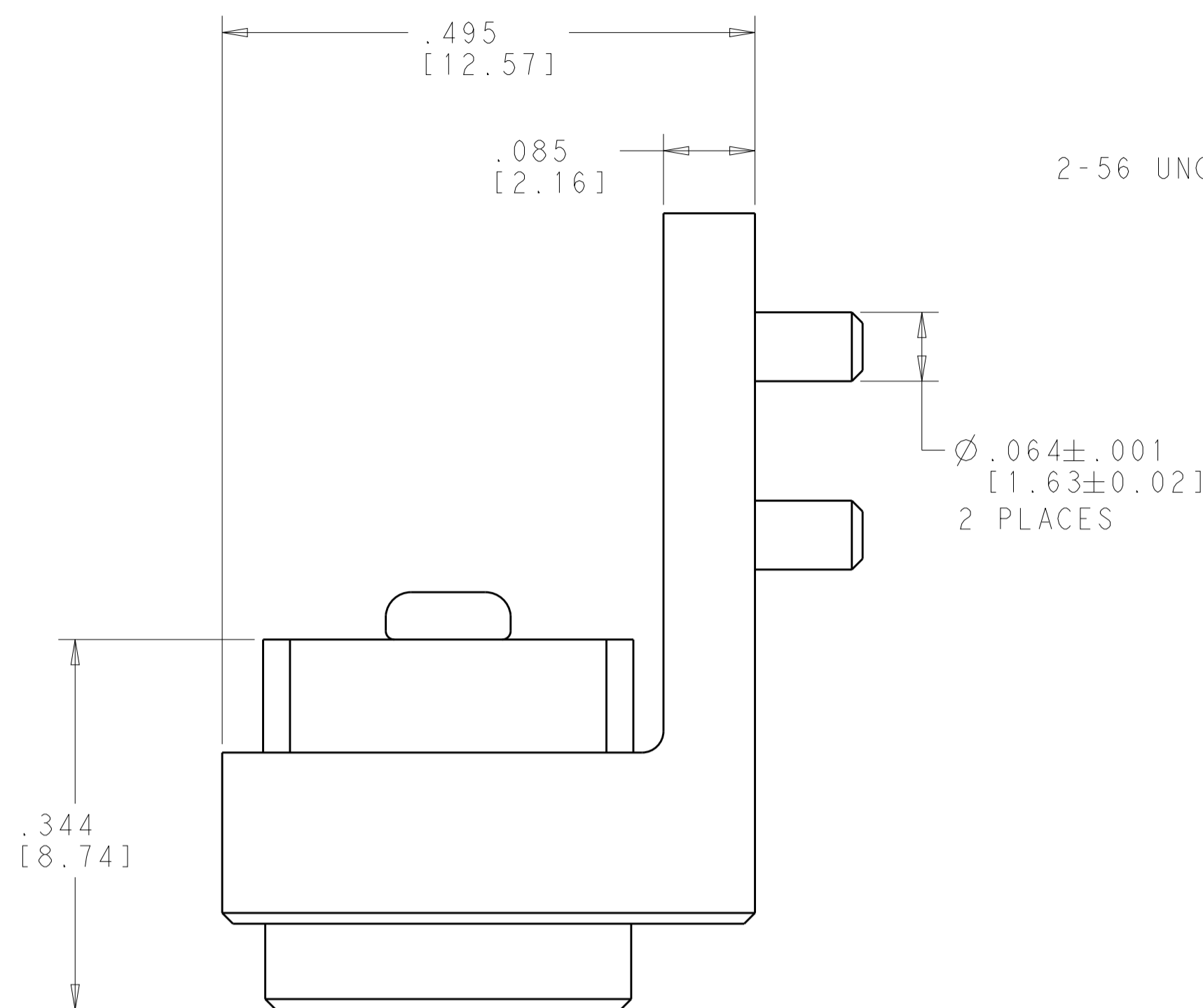
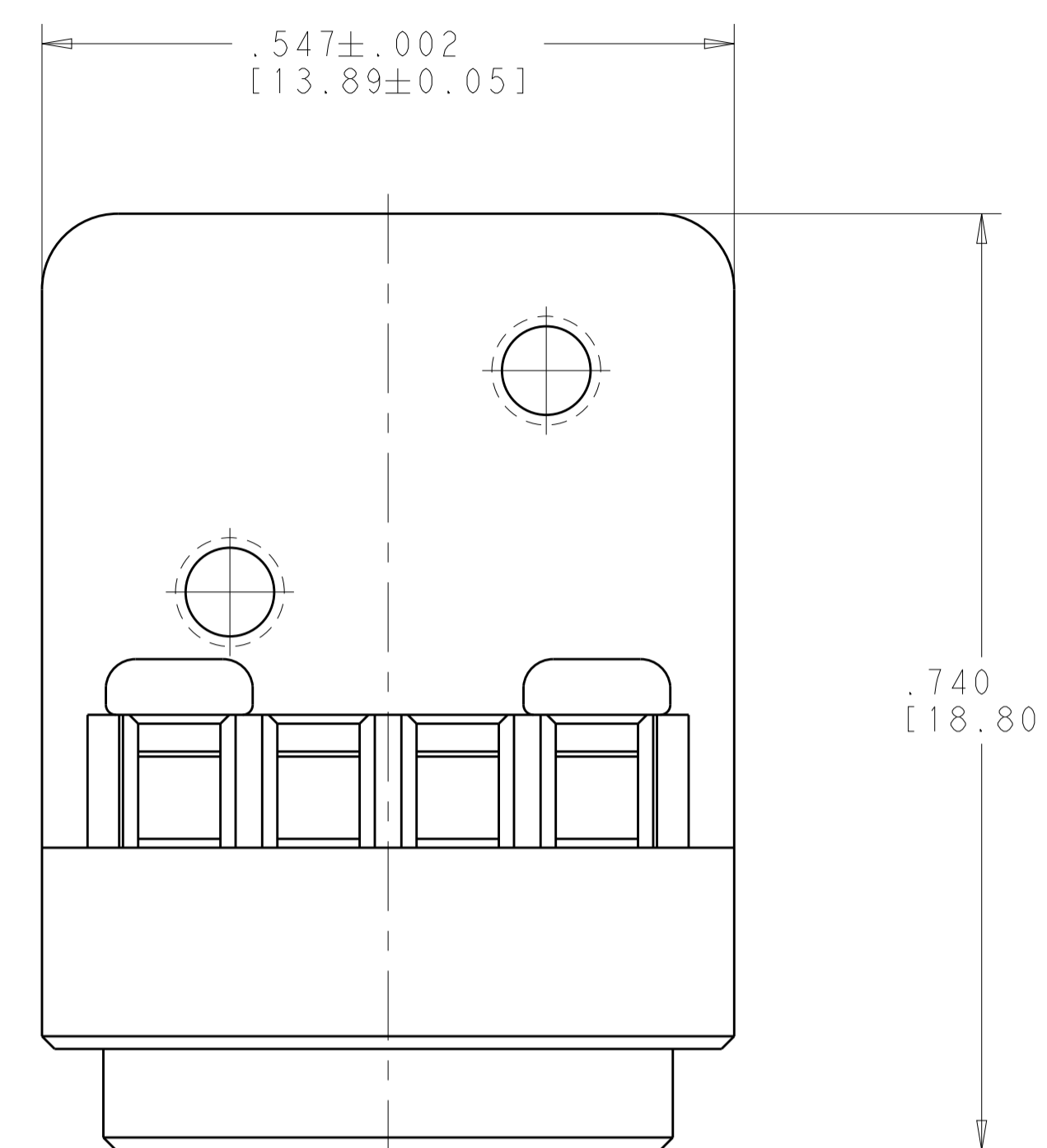
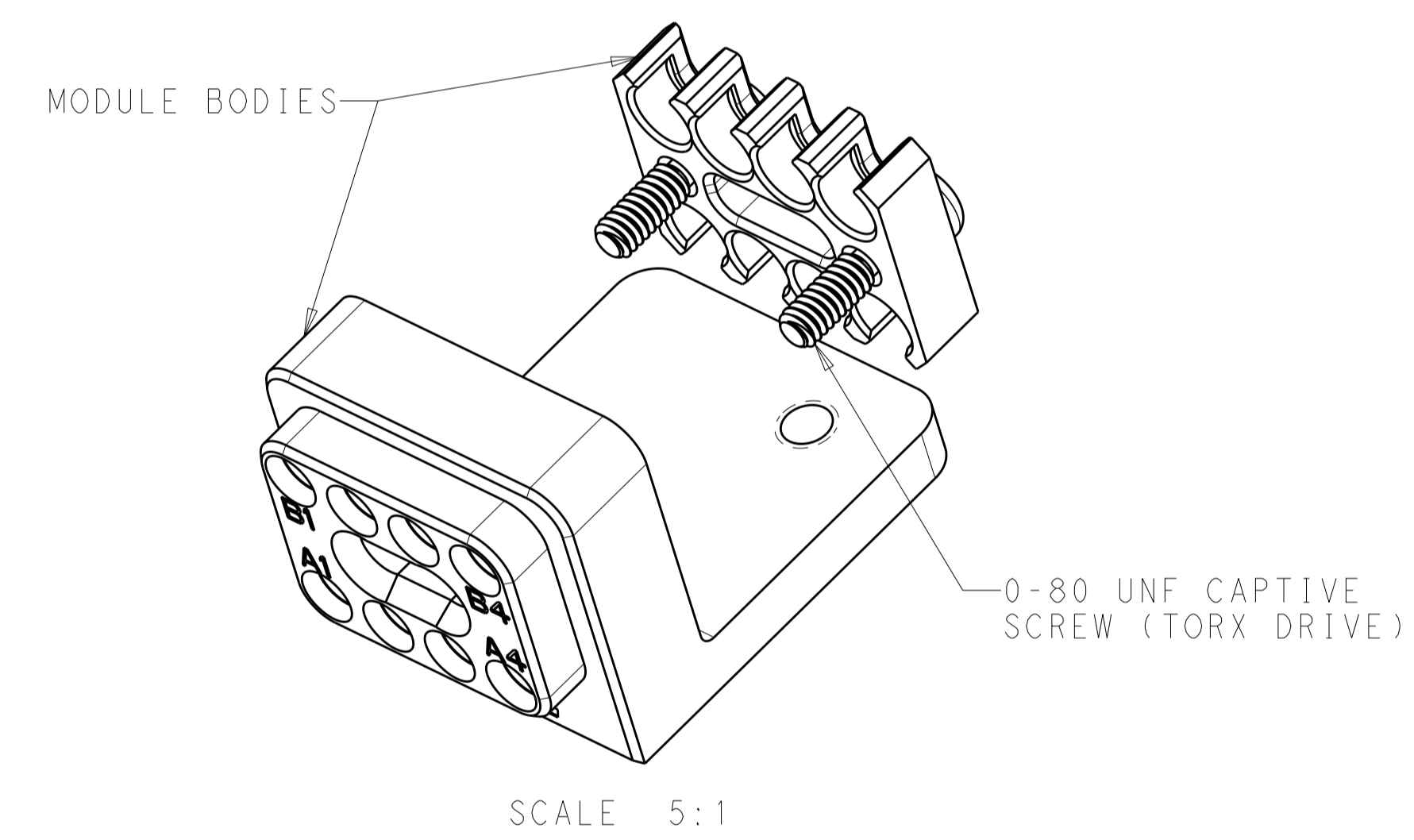
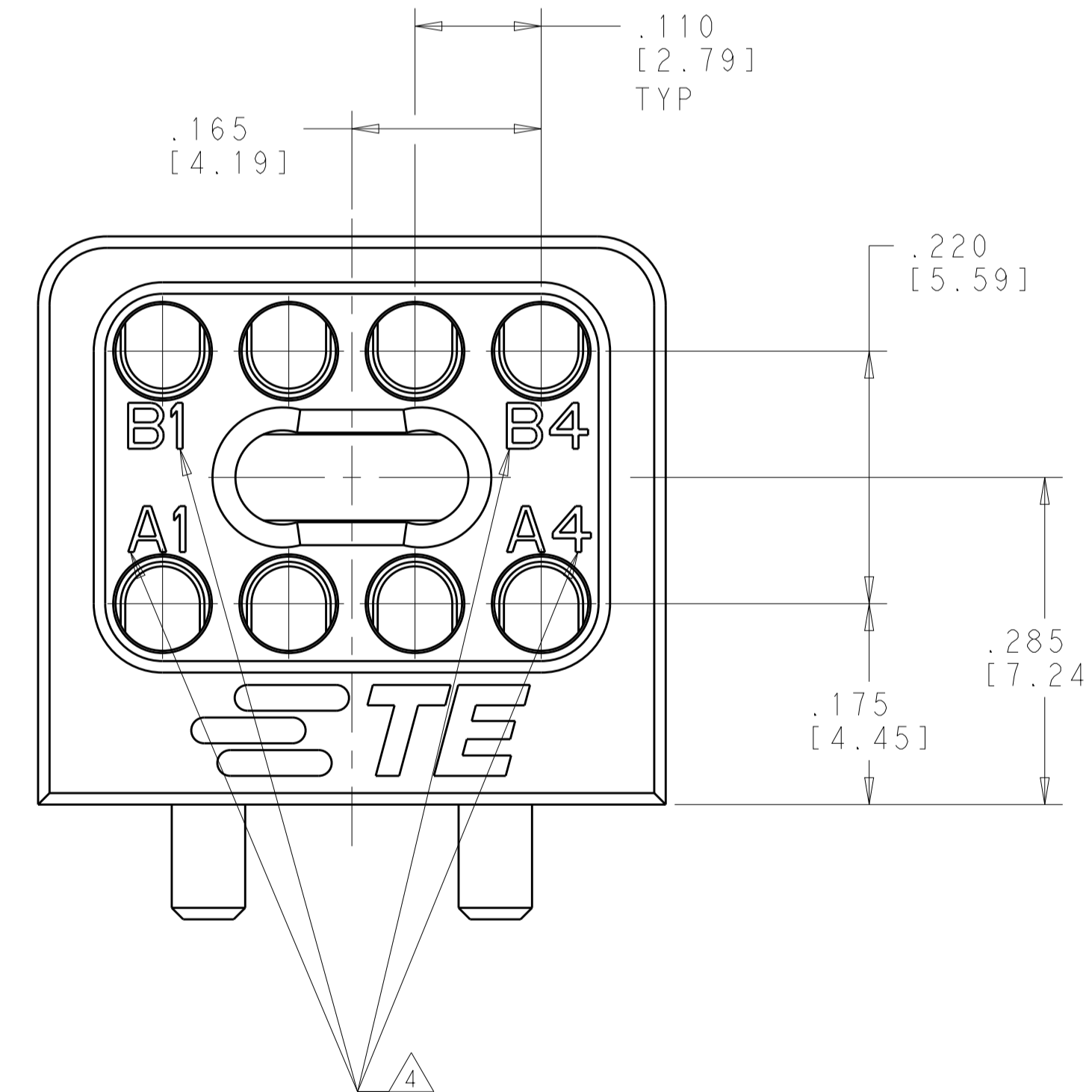
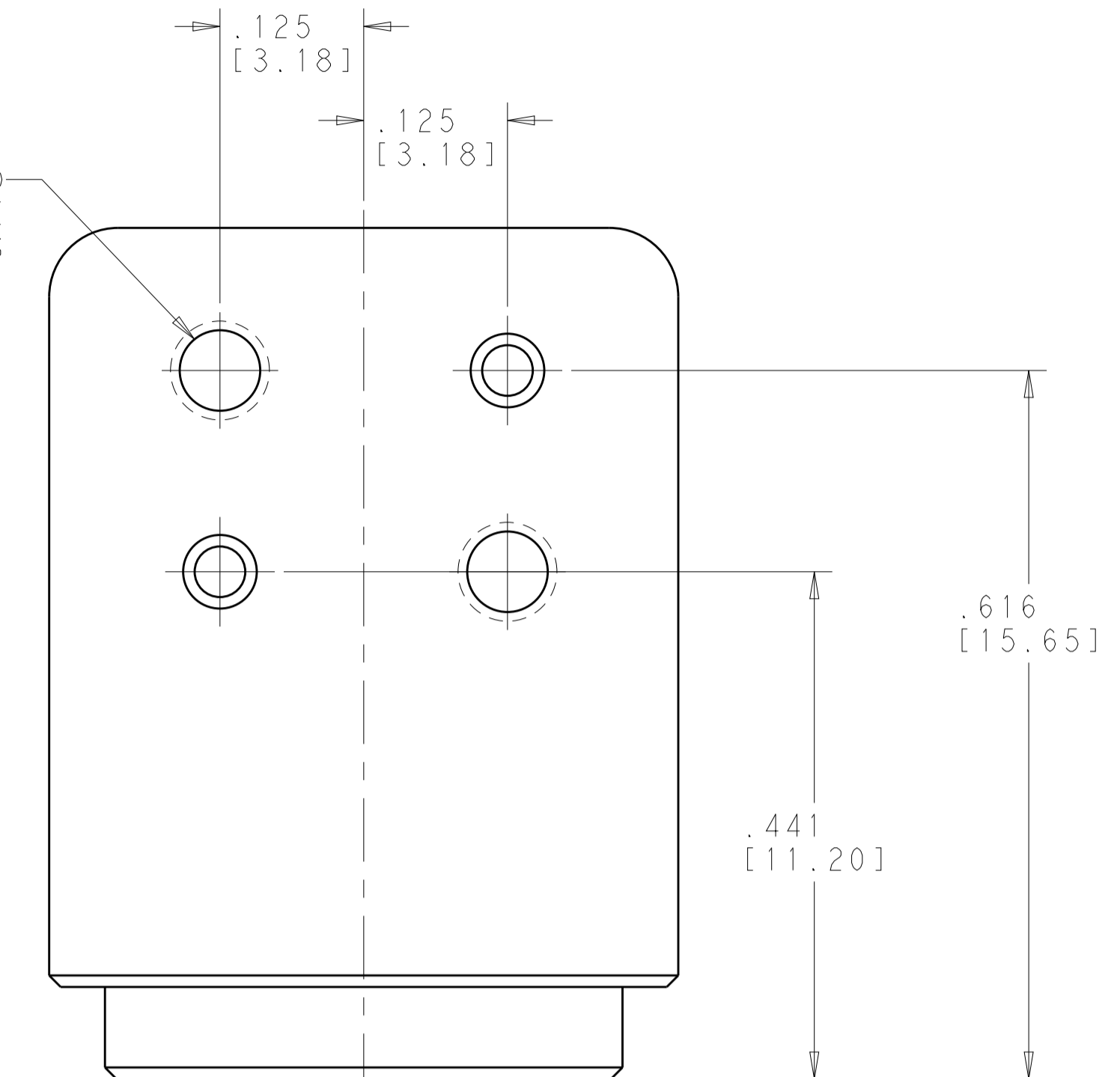


REVISIONS				
P.	LTN	DESCRIPTION	DATE	OWN APVD
B		RELEASED PER ECO 19-005475	4-9-19	CT FB



2-56 UNC-2B THREADED THRU HOLE 2 PLACES

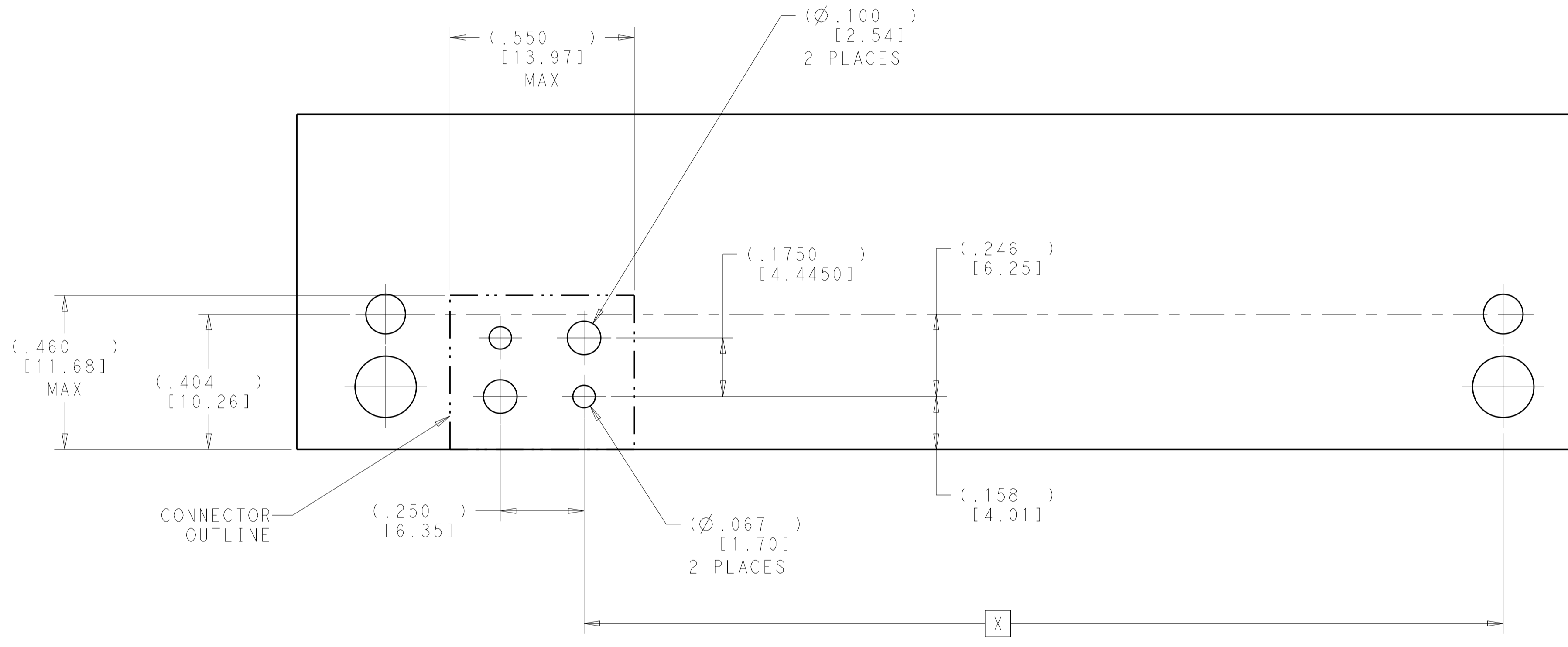


- 1 MATERIAL:  
MODULE BODIES - SEE TABLE  
SCREWS - 300 SERIES STAINLESS STEEL
- 2 FINISH:  
MODULE BODIES - SEE TABLE  
SCREWS - PASSIVATED
- 3. SHIPPED IN KIT FORM.
- 4 CIRCUIT IDENTIFICATION MARKING

CLEAR CHROMATE CONVERSION COATING	ALUMINUM ALLOY 7075	2828431-2
PASSIVATED	STAINLESS STEEL PER UNS S30300	2828431-1
MODULE FINISH 2	MODULE MATERIAL 1	PART NUMBER

THIS DRAWING IS A CONTROLLED DOCUMENT.		OWN: R. MILLER 23APR2015	TE Connectivity
DIMENSIONS: INCHES/mm		CHK: C. YI 14AUG2015	
TOLERANCES UNLESS OTHERWISE SPECIFIED:		APVD: K. DOWNHOWER 11APR2018	NAME: 8 POSITION NanoRF MODULE P.C.B. MOUNT - DAUGHTERCARD VITA
0 PLC ± 2 PLC ± 3 PLC ±.005(0.13) 4 PLC ± ANGLES ±		PRODUCT SPEC: 108-163006 APPLICATION SPEC: 408-163016	
MATERIAL 1	FINISH 2	WEIGHT	SIZE: A CAGE CODE: 00779 DRAWING NO: C=2828431
CUSTOMER DRAWING		SCALE: 8:1	RESTRICTED TO: B SHEET 1 OF 2 REV B

REVISIONS				
P.	LTN	DESCRIPTION	DATE	APVD
-		SEE SHEET 1	-	-



DESIGNED FOR VITA 67.1 PCB LAYOUT  
(VIEW FROM TOP SIDE)

P2A	2.187[55.55]
P2B	2.743[69.67]
P3A	3.875[98.42]
P3B	4.431[112.54]
P4A	5.009[127.22]
P4B	5.565[141.34]
P5A	6.142[156.02]
P5B	6.698[170.14]
P6A	7.276[184.82]
P6B	7.832[198.94]
POSITION	DIM "X"

THIS DRAWING IS A CONTROLLED DOCUMENT.		DWN K. MILLER 23APR2015	
DIMENSIONS: INCHES/mm		CHK C. YI 14AUG2015	
TOLERANCES UNLESS OTHERWISE SPECIFIED:		APVD K. DOWNHOWER 11APR2018	<b>8 POSITION NanoRF MODULE</b> P.C.B. MOUNT - DAUGHTERCARD VITA
0 PLC ±. 1 PLC ±. 2 PLC ±. 3 PLC ±. 4 PLC ±.005[0.13] ANGLES ±. FINISH		PRODUCT SPEC 108-163006 APPLICATION SPEC 408-163016	
MATERIAL	FINISH	WEIGHT	RESTRICTED TO
CUSTOMER DRAWING		SCALE 5:1	SHEET 2 OF 2 REV B

单击下面可查看定价，库存，交付和生命周期等信息

[>>TE Connectivity\(泰科\)](#)