

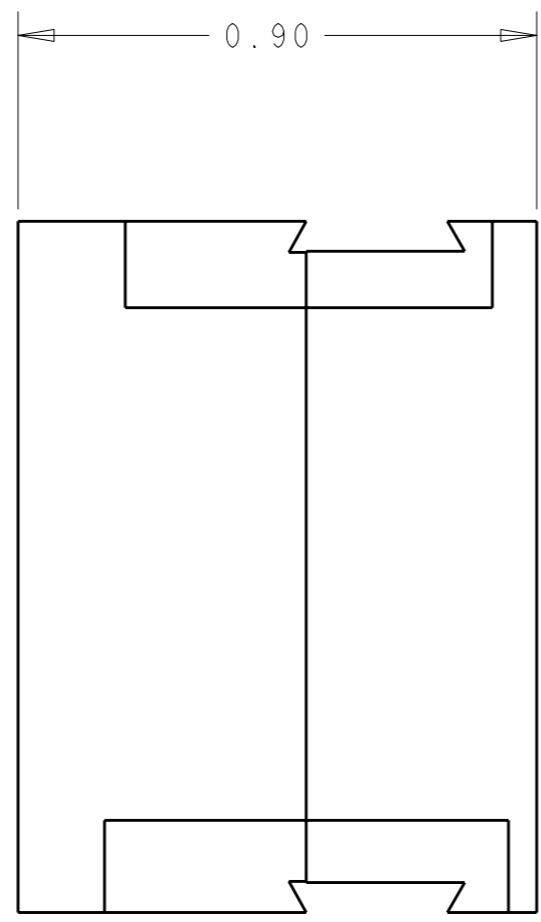
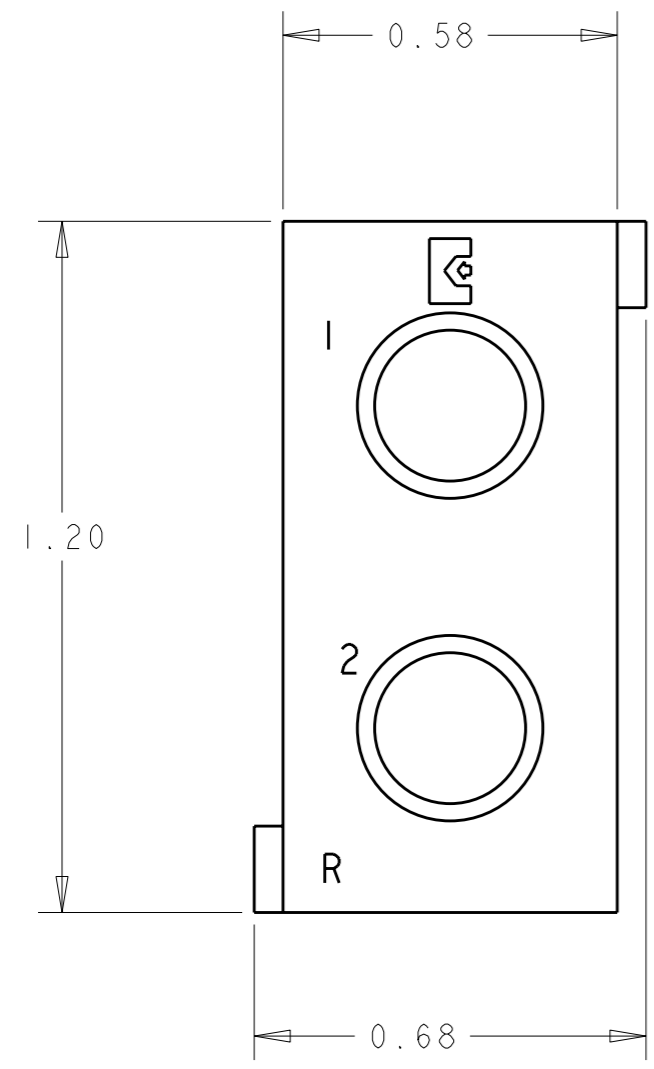
THIS DRAWING IS UNPUBLISHED. RELEASED FOR PUBLICATION 20
 © COPYRIGHT 20 BY TYCO ELECTRONICS CORPORATION. ALL RIGHTS RESERVED.

LOC		DIST		REVISIONS			
P	LTR	DESCRIPTION		DATE	DWN	APVD	
-	-	A		NEW RELEASE	24OCT2008	CR	DO

- PART NUMBER CHANGES AND/OR DESIGN CHANGES AFFECTING INTERCHANGEABILITY REQUIRE PRIOR TYCO ELECTRONICS APPROVAL AND AUTHORIZATION BY REVISION TO THIS DRAWING
- ITEMS PROVIDED TO THIS SPECIFICATION TO BE PERMANENTLY IDENTIFIED PER THE FOLLOWING IDENTIFIER LABEL

TYCO ELECTRONICS P/N DATE CODE (e.g. 0106)
 XXXXXXXX-X XXXX

YEAR 1 WEEK 1



AS SHOWN	6648457-1
DESCRIPTION	PART NO.

THIS DRAWING IS A CONTROLLED DOCUMENT FOR TYCO ELECTRONICS CORPORATION. IT IS SUBJECT TO CHANGE AND THE CONTROLLING ENGINEERING ORGANIZATION SHOULD BE CONTACTED FOR THE LATEST REVISION.		DWN C. ROHLER 24OCT2008	Tyco Electronics Harrisburg, PA 17105-3608															
DIMENSIONS: INCHES		CHK D. ORRIS 24OCT2008	NAME HOUSING, SOCKET MODULE R DOMINO															
TOLERANCES UNLESS OTHERWISE SPECIFIED:		APVD M. PERCHERKE 24OCT2008																
<table border="0"> <tr><td>0 PLC</td><td>±-</td></tr> <tr><td>1 PLC</td><td>±-</td></tr> <tr><td>2 PLC</td><td>±.02</td></tr> <tr><td>3 PLC</td><td>±.010</td></tr> <tr><td>4 PLC</td><td>±-</td></tr> <tr><td>ANGLES</td><td>±.5</td></tr> </table>		0 PLC	±-	1 PLC	±-	2 PLC	±.02	3 PLC	±.010	4 PLC	±-	ANGLES	±.5	PRODUCT SPEC -	SIZE A3	CAGE CODE 00779	DRAWING NO C-6648457	RESTRICTED TO -
0 PLC	±-																	
1 PLC	±-																	
2 PLC	±.02																	
3 PLC	±.010																	
4 PLC	±-																	
ANGLES	±.5																	
MATERIAL -	FINISH -	APPLICATION SPEC -	WEIGHT -	SCALE 3:1		SHEET 1	OF 1	REV A										
CUSTOMER DRAWING																		

ELCON **DOMINO**

单击下面可查看定价，库存，交付和生命周期等信息

[>>TE Connectivity\(泰科\)](#)