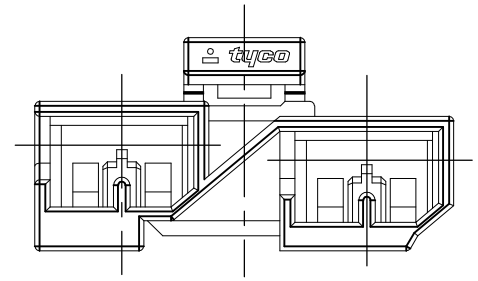
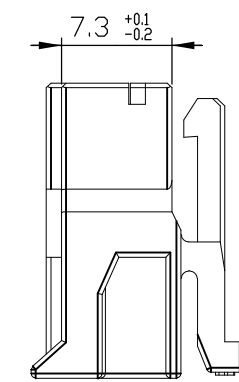
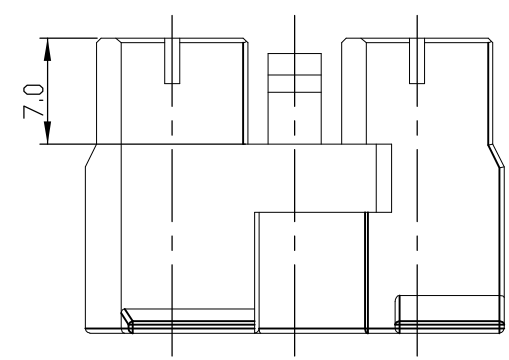
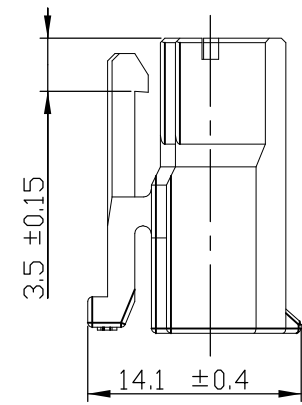
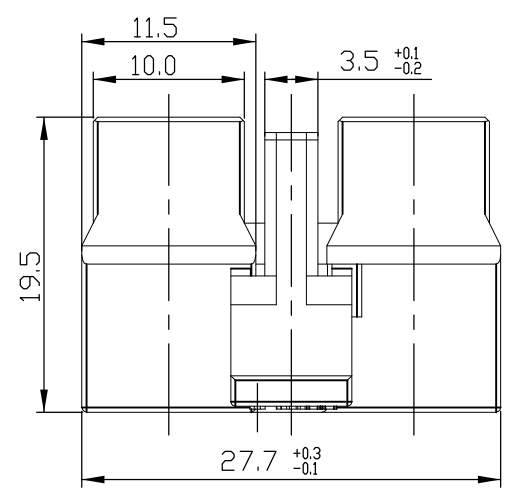
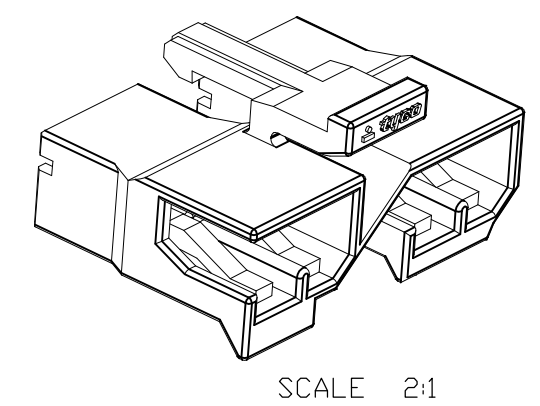
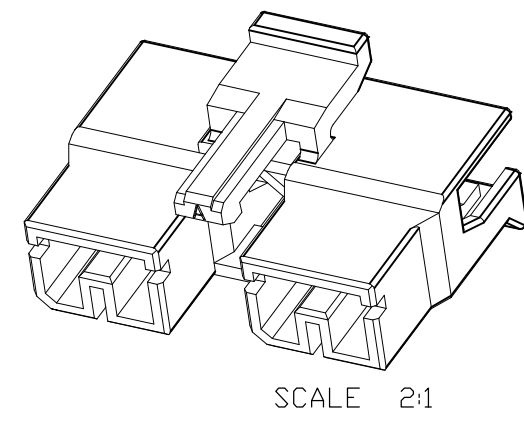
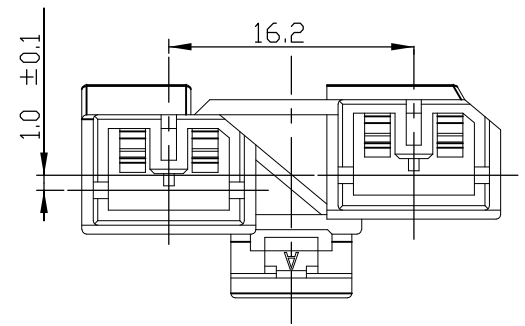


THIS DRAWING IS UNPUBLISHED. RELEASED FOR PUBLICATION
 © COPYRIGHT - By - ALL RIGHTS RESERVED.

REVISIONS					
P	LTR	DESCRIPTION	DATE	DWN	APVD
B2		REVISED PER ECR-17-003108	06MAR2017	SE	BH



NOTES.
 1.GENERAL TOLERANCE : ±0.2, ±2°.
 2.MATERIAL : NYLON 6/6, UL94 -V0.
 3.APPLICABLE CONTACT P/N : 1743221-1.
 (CABLE SIZE : AWG #16, #18)
 4.MATERIAL: PC-PET, UL94 V-0
 PARTS COMPLY WITH GWT 750

OBSOLETE	P/N	DESCRIPTION	MATERIAL	COLOR
	1-1743643-1	PCFL PLUG HSG (GWT)	△	NATURAL
	1743643-9	PCFL PLUG HSG	△	BLACK
	1743643-6	PCFL PLUG HSG	△	BLUE
	1743643-1	PCFL PLUG HSG	△	NATURAL
	P/N	DESCRIPTION	MATERIAL	COLOR

THIS DRAWING IS A CONTROLLED DOCUMENT.		DWN SC KIM	TE Connectivity		
DIMENSIONS: mm		CHK BW KANG			
TOLERANCES UNLESS OTHERWISE SPECIFIED:		APVD JK SONG	250 2P PLUG HSG FOR LOW-HEIGHT PCFL		
0 PLC ± - 1 PLC ± - 2 PLC ± - 3 PLC ± - 4 PLC ± - ANGLES ± - FINISH -		PRODUCT SPEC 108-61077	SIZE	CAGE CODE	DRAWING NO
MATERIAL SEE NOTES		APPLICATION SPEC -	WEIGHT -	A300779	G- 1743643
CUSTOMER DRAWING			RESTRICTED TO -	SCALE 2:1	SHEET 1 OF 1
				REV B2	

单击下面可查看定价，库存，交付和生命周期等信息

[>>TE Connectivity\(泰科\)](#)