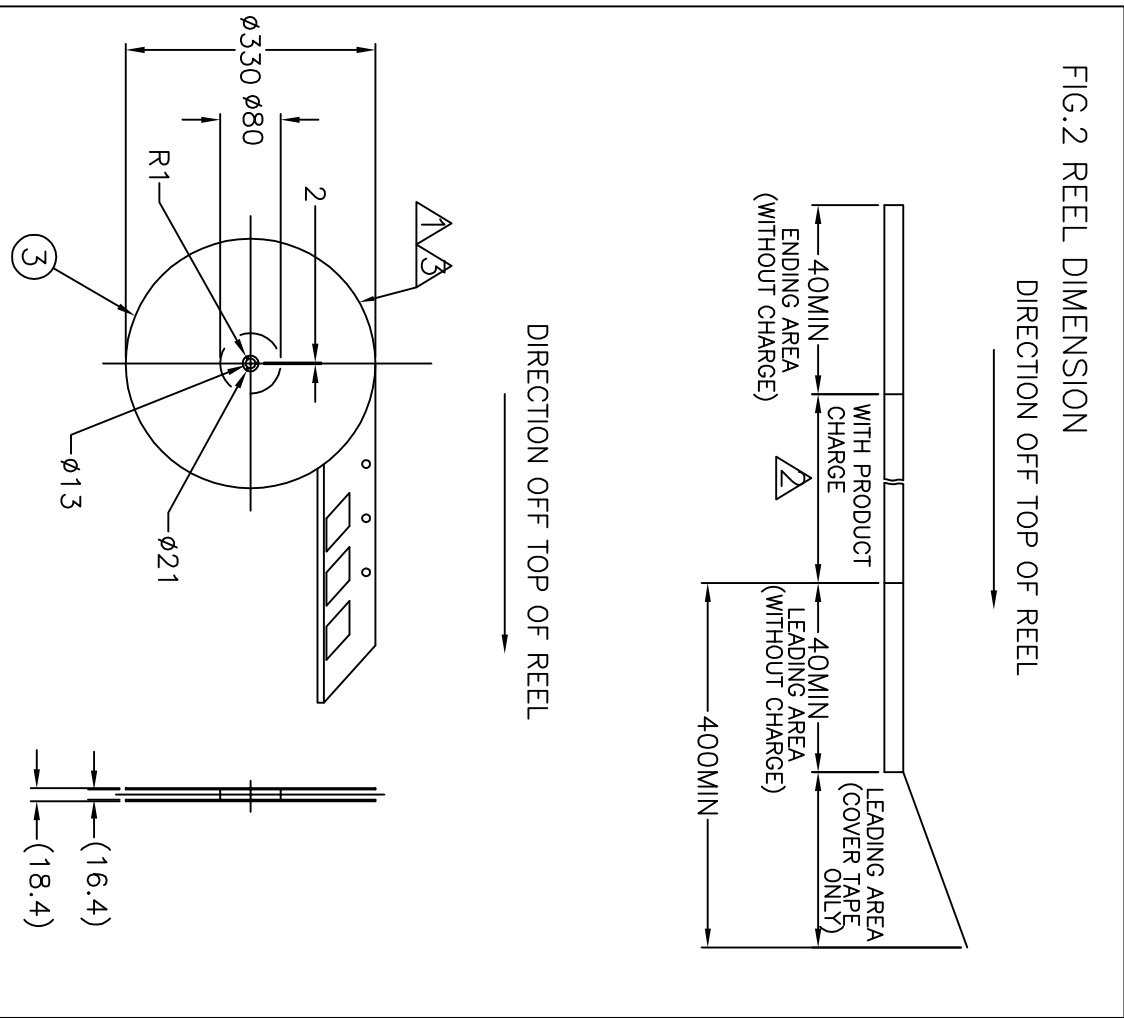
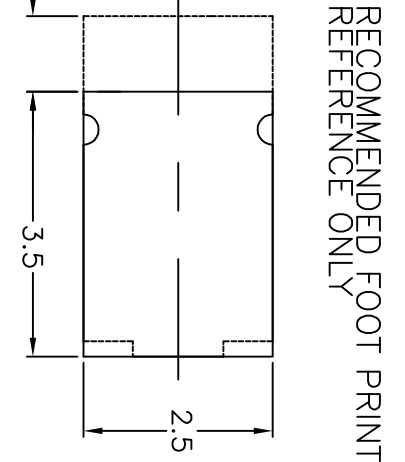
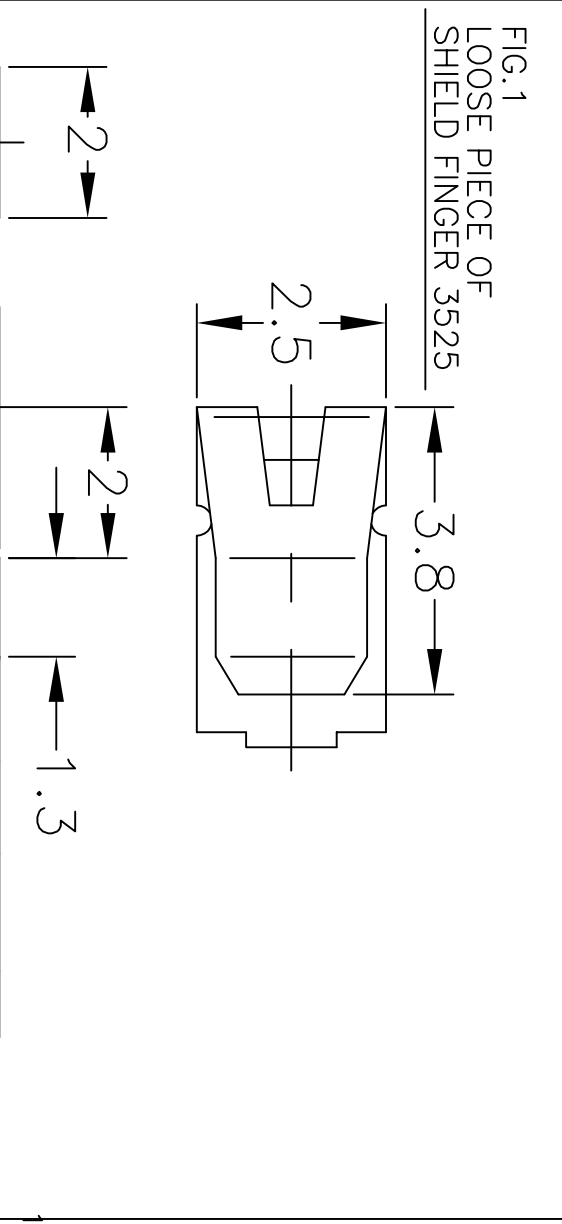
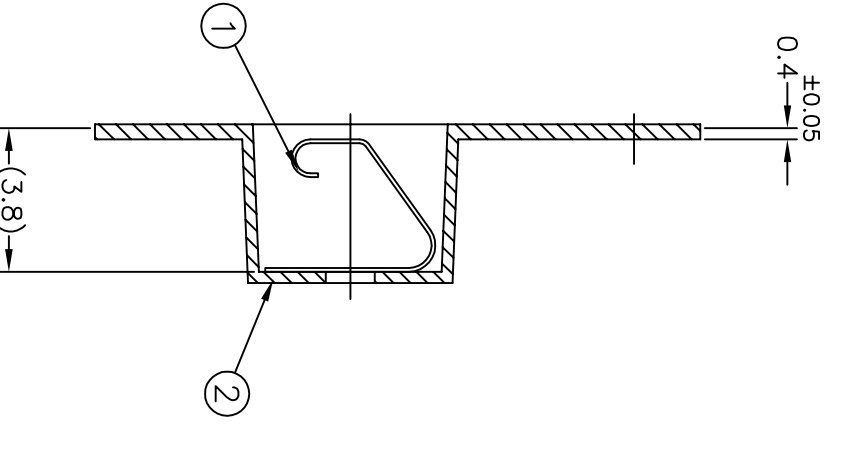
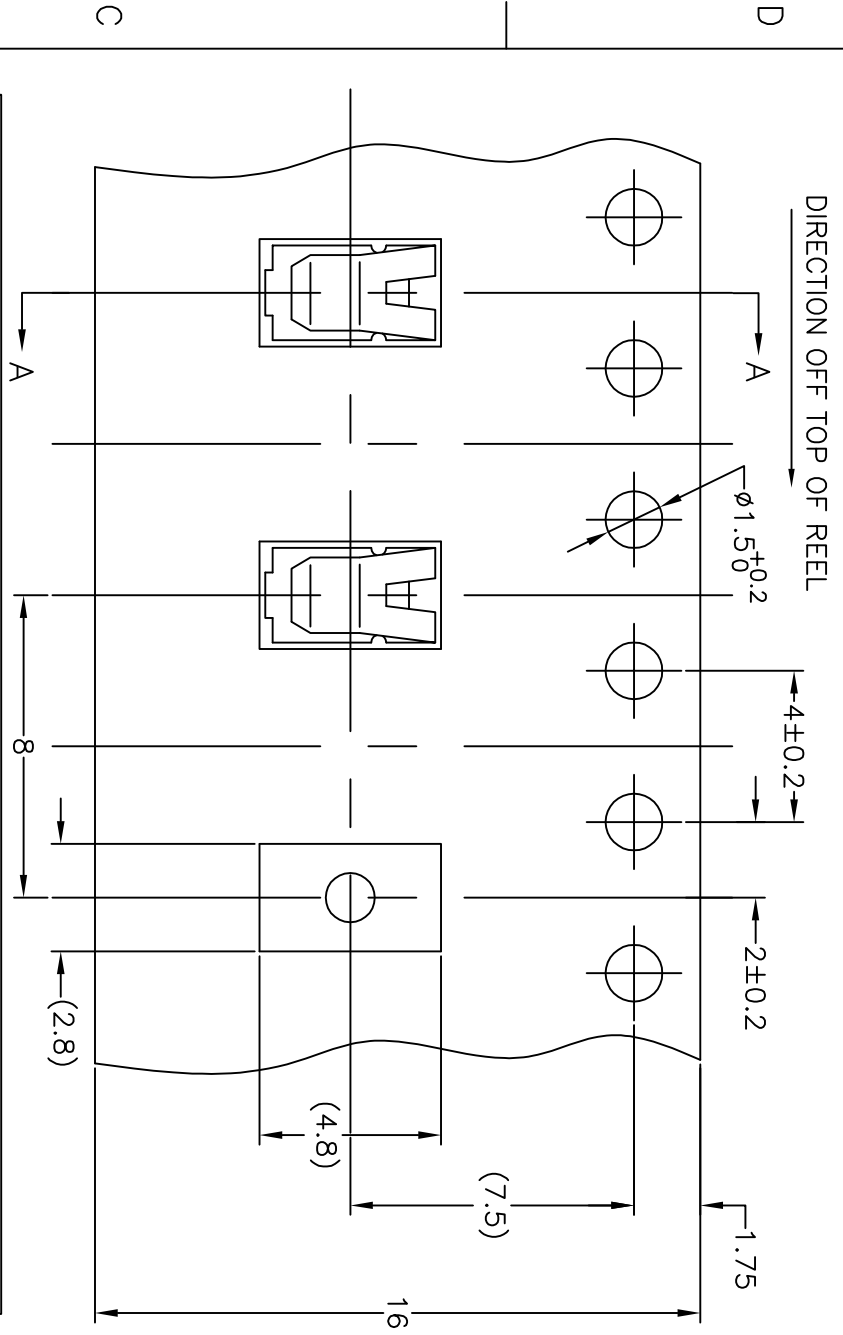


LOC	DIST	REVISONS	DATE	DWN	APVD
J	-				
P	LTR	DESCRIPTION			
A	REVISED		21NOV12	T.Z	S.Y

PACKING MATERIAL
 EMBOSS CARRIER TAPE : ANTISTATIC TAPE
 COVER FILM : ANTISTATIC FILM
 REEL : PAPER
 QUANTITY OF REEL : 2000 EA/REEL
 - 1 : AS SHOWN



THIS DRAWING IS A CONTROLLED DOCUMENT.

DIMENSIONS: 单位: 耗
 TOLERANCES UNLESS OTHERWISE SPECIFIED: 一般公差

0 PLC	± 0.3
1 PLC	± 0.3
2 PLC	± 0.3
3 PLC	± -
4 PLC	± -
FINISH	仕上

APVD	STEVEN YAO	21NOV2012
CHK	XU XIANG	21NOV2012
DWN	TONY ZHANG	21NOV2012

REEL	1	REEL	③
CARRIER TAPE	1	CARRIER TAPE	②
SHIELD FINGER 3525	-	SHIELD FINGER 3525	①
MATERIAL	Q'TY	MATERIAL	FINISH
			ITEM



Tyco Electronics AMP K.K.
 Kawasaki, Japan

SHIELD FINGER 3525
 WITH CONTINUOUS TAPES

APVD	STEVEN YAO	21NOV2012
CHK	XU XIANG	21NOV2012
DWN	TONY ZHANG	21NOV2012
NAME	名称	SHIELD FINGER 3525
PRODUCT SPEC	製品规格	WITH CONTINUOUS TAPES
APPLICATION SPEC	取付適用规格	
WEIGHT		
CUSTOMER DRAWING		
SIZE	CAGE CODE	DRAWING NO
A3	00779	1447009-7
SCALE	尺度	1:1
SHEET	1	OF 1
REV		A

单击下面可查看定价，库存，交付和生命周期等信息

[>>TE Connectivity\(泰科\)](#)