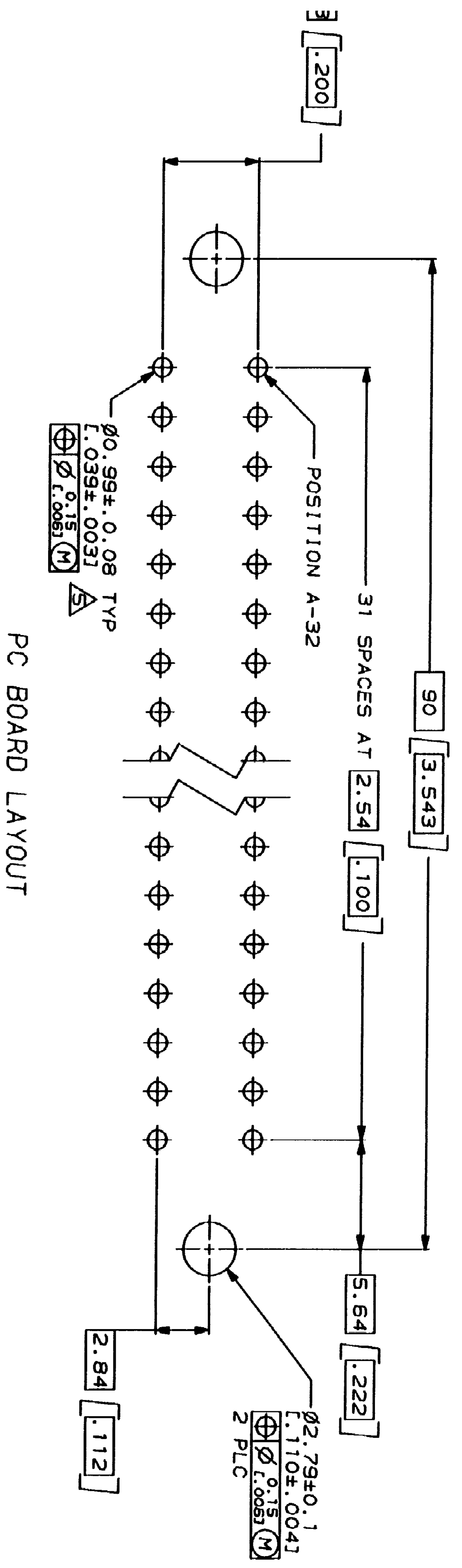
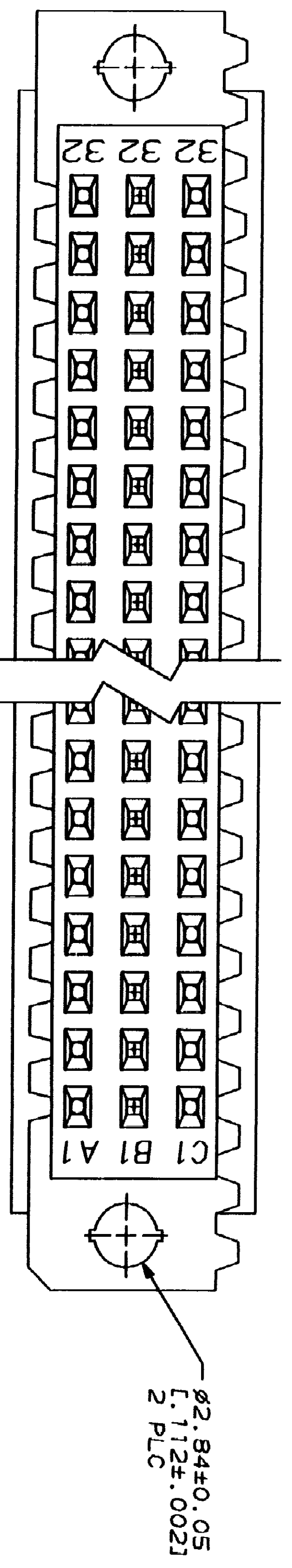
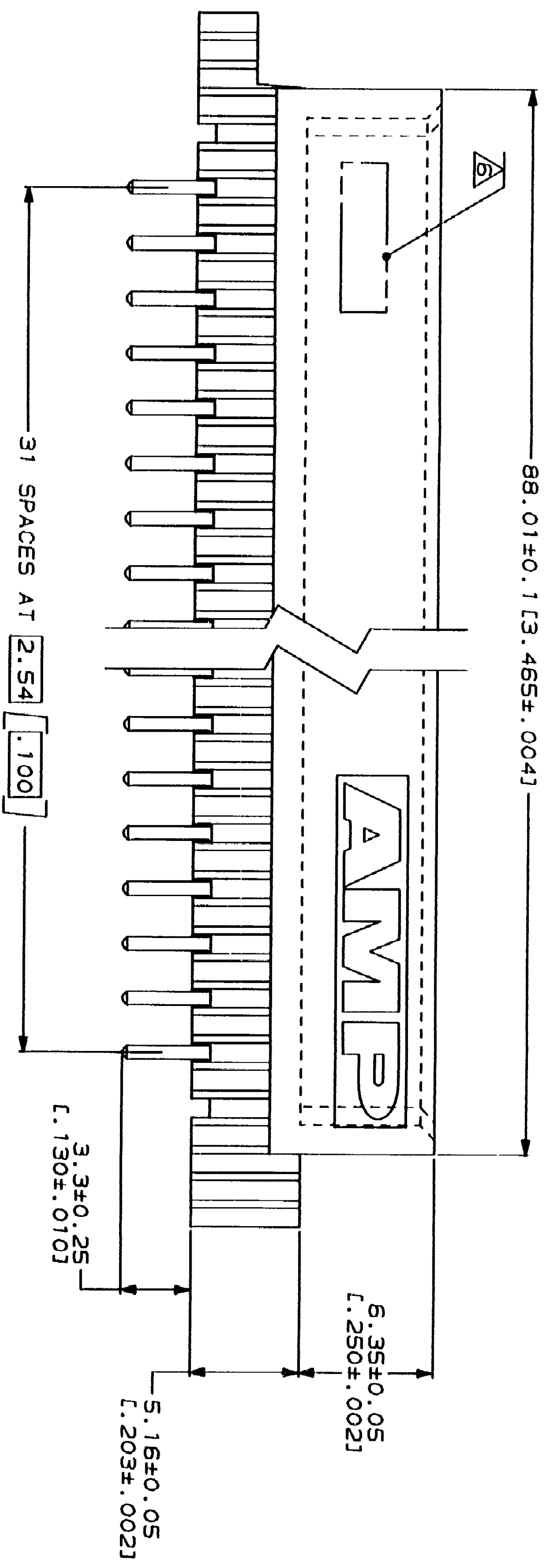
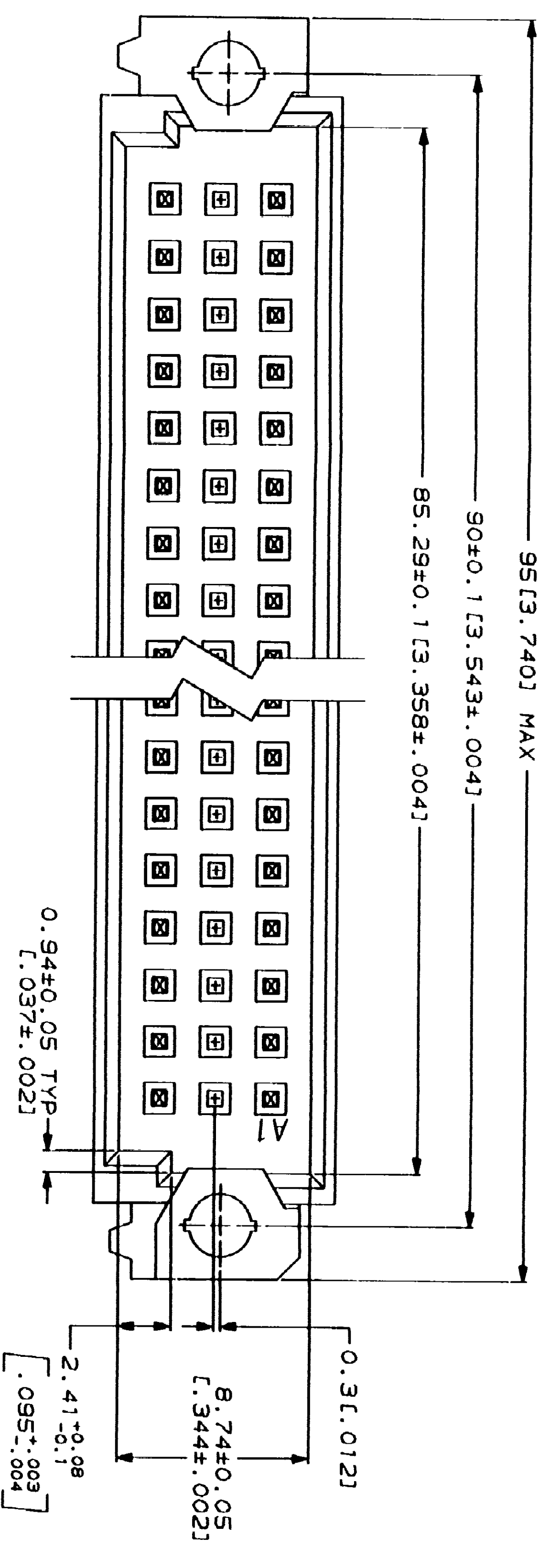


DATE	APPD
11/14/91	LSB
12/26/91	LSB
6/2/92	LSB
11/28/93	LSB
3/25/94	LSB

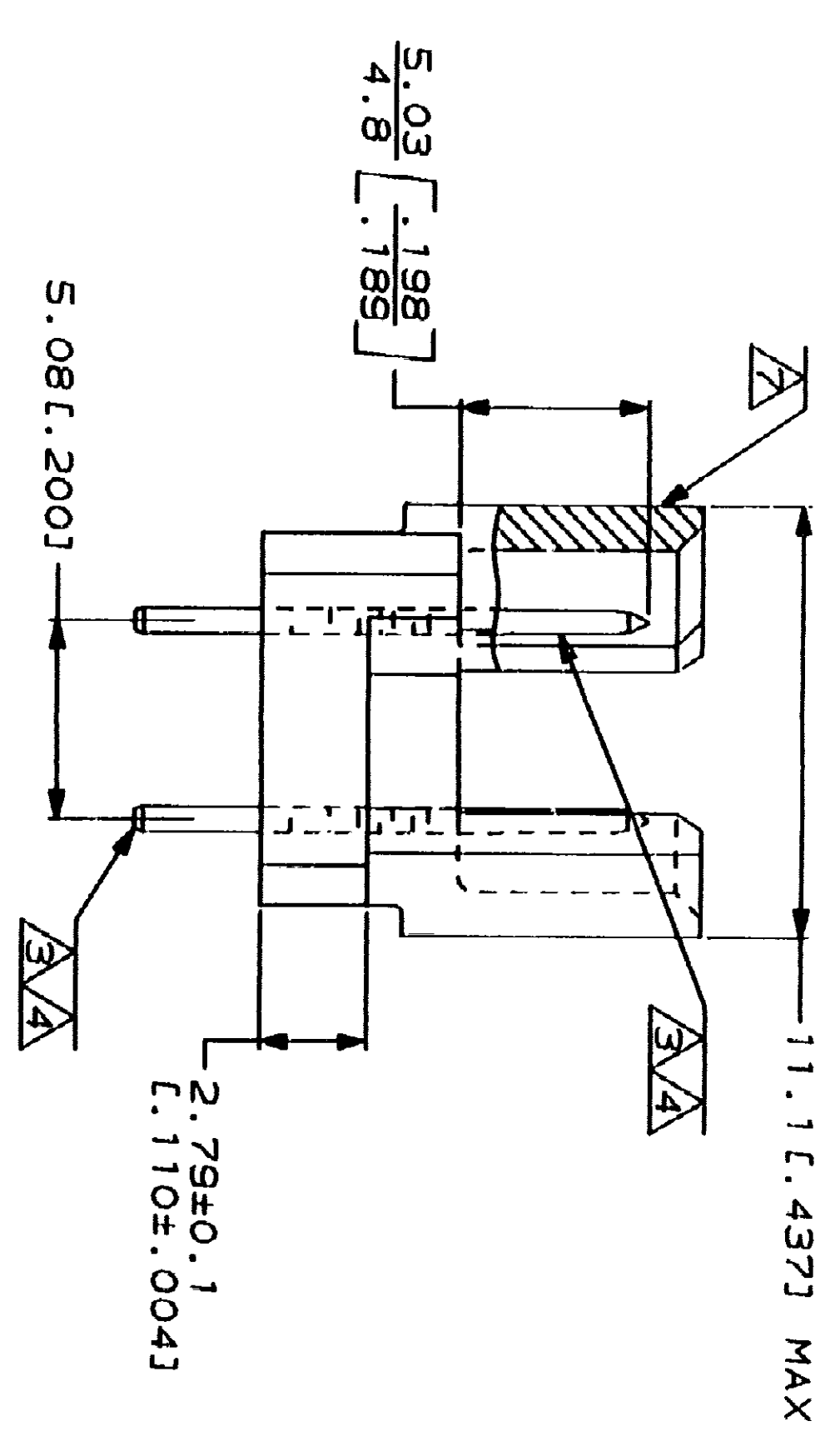
PROJECTION
RELEASED FOR PUBLICATION
BY AMP CORPORATION. ALL INFORMATION BEING FURNISHED.

7 6 5 4 3 2



REV	DATE	BY	DESCRIPTION
0			DRAWN
B			ECN AD5586, AD5640
C			ECN AD5676
D			ECN AD5671
E			ECN AD6256
F			EC 0010-1559-93
G			EC 0010-0436-94

- △ HOUSING MATERIAL: GLASS-FILLED POLYESTER. COLOR: GRAY.
- △ POST MATERIAL: BRASS.
- △ POST FINISH: DIN 41612 CLASS 3 IN CONTACT AREA.
- △ TIN-LEAD PLATE ON POSTS.
- △ POST FINISH: DIN 41612 CLASS 2 IN CONTACT AREA.
- △ TIN-LEAD PLATE ON POSTS.
- △ RECOMMENDED HOLE SIZE FOR MANUAL APPLICATION OF CONNECTOR ONTO PC BOARD.
- △ [PART NUMBER, DATE CODE] MARKED THIS APPROXIMATE AREA.
- △ MARKING ON THIS SIDE.



SUPERSEDED BY 650933-5

REV	DATE	BY	DESCRIPTION
A	1-32		X - X 64
			X - X 64

NOTES: POSITIONS LOADED C B A NO. OF POSITIONS LOADED RONS LOADED ASS

DO NOT SCALE PRINT.	OR	DATE	NAME
UNLESS SPECIFIED (DIMENSIONS IN MILLIMETERS)	L. BRINER	3/18/91	AMP
1 P.L.C. DEC ± 0.131 (0.005)	D.C. RUBENDALL	3/26/91	AMP
2 P.L.C. DEC ± 0.131 (0.005)	D.C. RUBENDALL	3/26/91	AMP
ANGLES ±	K.R. PARTNER	3/26/91	AMP
MATERIAL HSG	PRODUCT SPEC		
POST			
FINISH POST	APPLICATION SPEC	SIZE	CAGE CODE
		D	00779
		SCALE	5:1

PIN ASSEMBLY, EURC TYPE "R"

RAWING

CUSTOMER

单击下面可查看定价，库存，交付和生命周期等信息

[>>TE Connectivity\(泰科\)](#)