

4

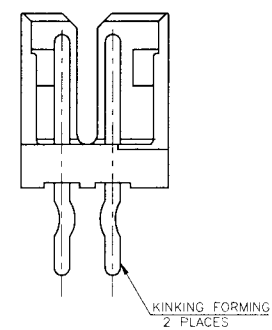
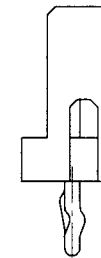
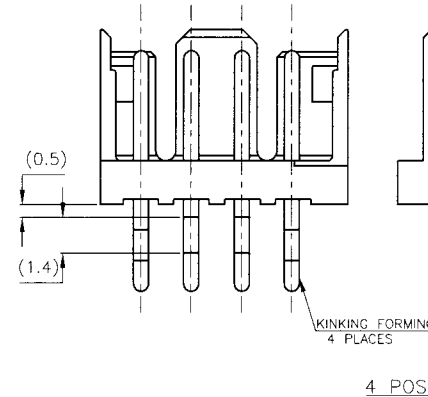
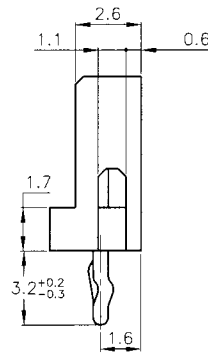
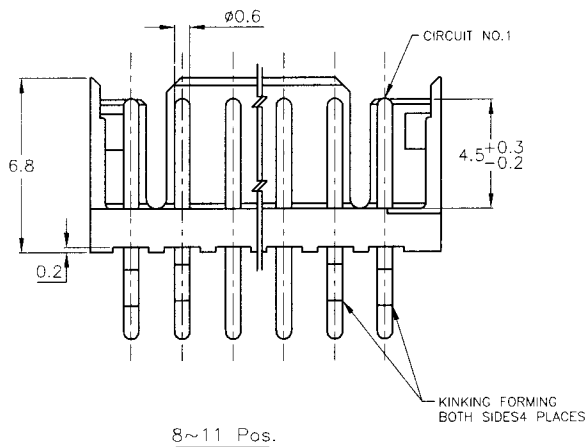
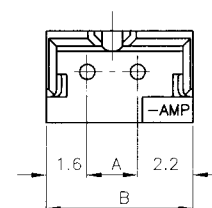
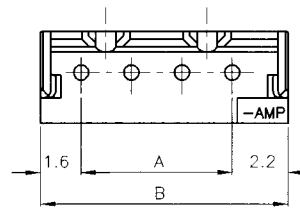
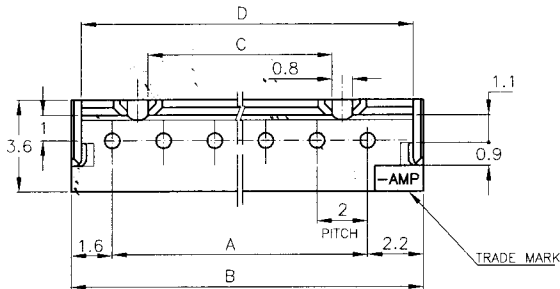
3

2

1

THIS DRAWING IS UNPUBLISHED. RELEASED FOR PUBLICATION  
 © COPYRIGHT BY TYCO ELECTRONICS CORPORATION. ALL RIGHTS RESERVED.

LOC	DIST	REVISIONS					
FB	00	P	LTR	DESCRIPTION	DATE	DWN	APVD
		O		RELEASED FB00-0013-03	23JAN03	J.J	T.S



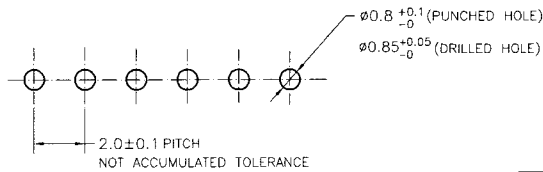
2 POS.

4 POS.

NOTES:

- 1.MATERIAL: HOUSING - NYLON 66 (GF TYPE)  
POST - TIN BRASS
- 2.APPLICABLE RECEPTACLE P/N 173977

1-292146-1	11	20	23.8	17.2	23.0
1-	-0	10	18	21.8	15.2
	-9	8	16	19.8	13.2
	-8	9	14	17.8	11.2
	-4	4	6	9.8	3.2
292146-2	2	2	5.8		5.0
PART NO.	Pos.	A	B	C	D



RECOMMENDABLE PCB LAYOUT  
 (PCB THK:0.8-1.6)

TOLERANCES UNLESS OTHERWISE SPECIFIED:

10 > *	±0.2
30 > * > 10	±0.25
100 > * > 30	±0.3
ANGLE	±3'

THIS DRAWING IS A CONTROLLED DOCUMENT.		DWN	31JAN03	 Tyco Electronics Corporation SHANGHAI, CHINA
		CHK	31JAN03	
		APVD	31JAN03	
		NAME	T. SASAKI	
DIMENSIONS: MM		PRODUCT SPEC		POST HEADER ASS'Y VERTICAL TYPE (AMP CT CONNECTOR 2mm PITCH)
TOLERANCES UNLESS OTHERWISE SPECIFIED:		APPLICATION SPEC		
MATERIAL		WEIGHT		SIZE
SEE NOTE		-		A3
SEE NOTE		CUSTOMER DRAWING		CAGE CODE
				00779
				DRAWING NO
				C-292146
				RESTRICTED TO
				SCALE
				5:1
				SHEET
				1 OF 1
				REV
				0

单击下面可查看定价，库存，交付和生命周期等信息

[>>TE Connectivity\(泰科\)](#)