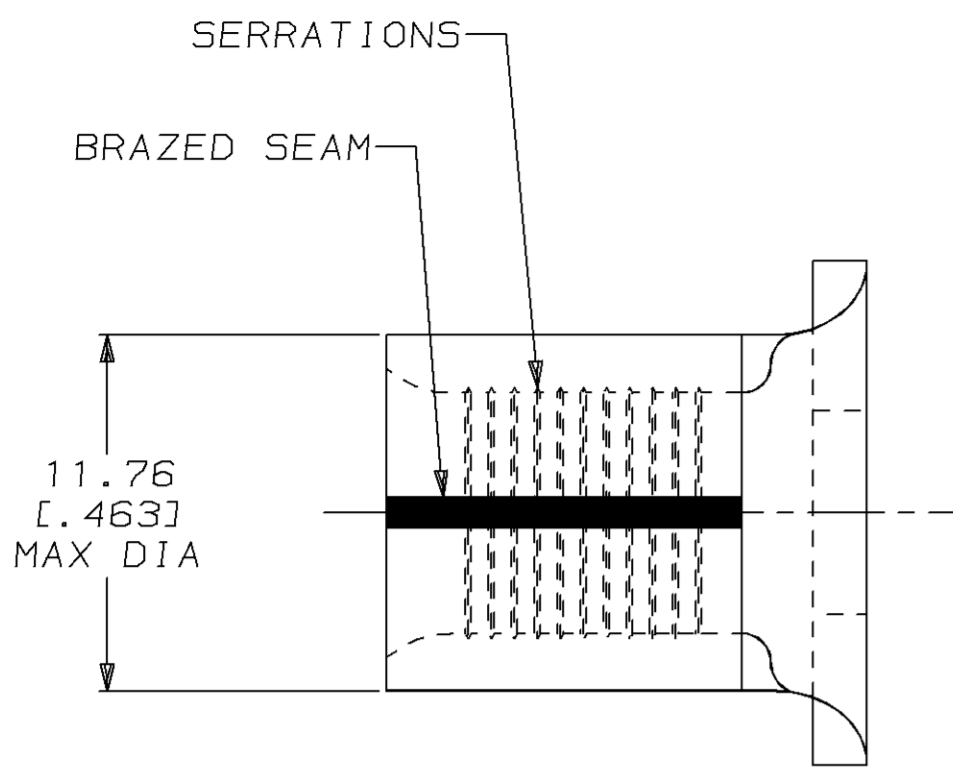


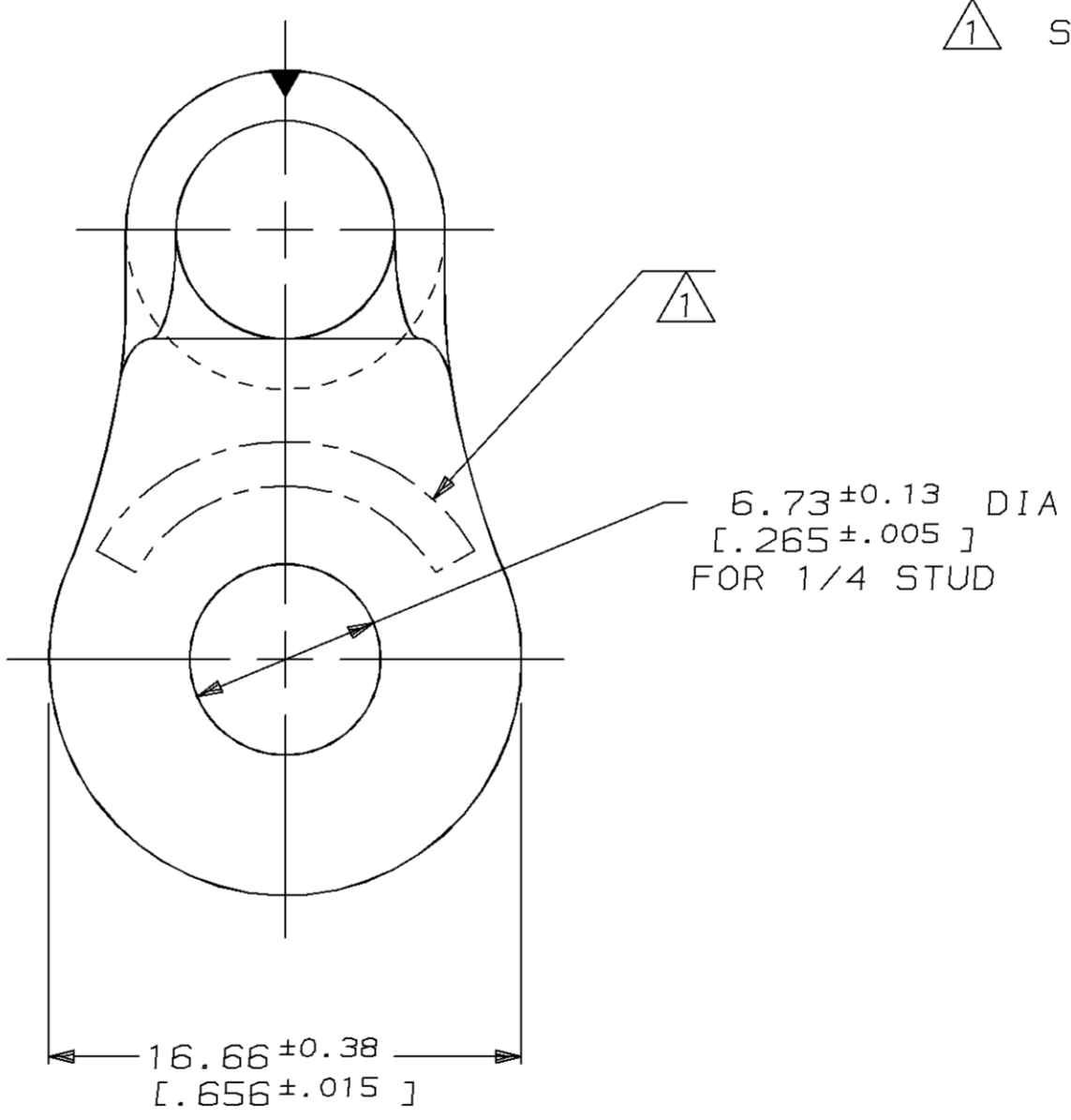
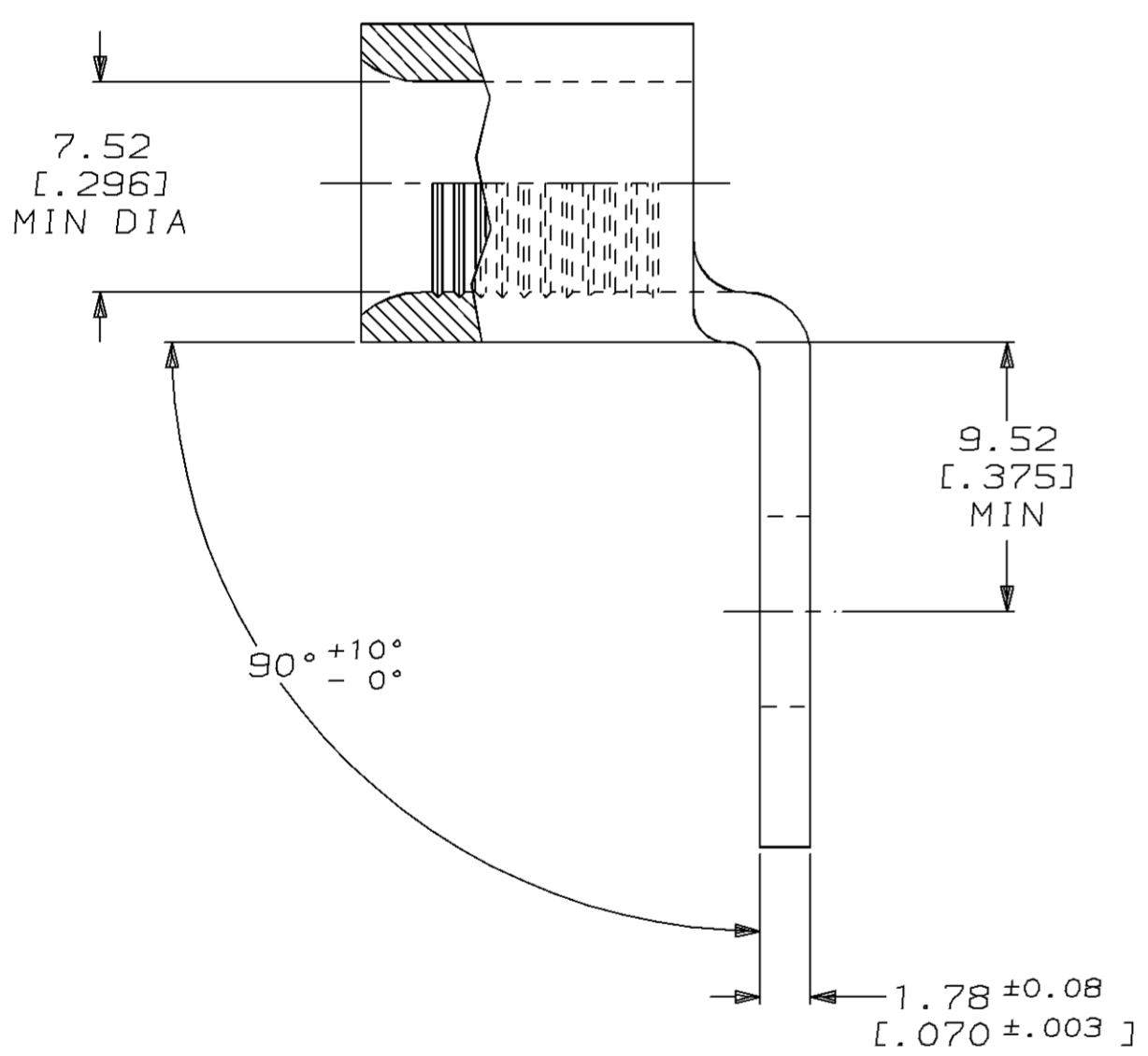
| LOC | | DIST | | REVISIONS | | | | DATE | APPD |
|------|-----|-------------|------|-----------|---|---------|---------|------|------|
| ZONE | LTR | DESCRIPTION | DATE | APPD | | | | | |
| G | 14 | | | B | REV & REDWN PER 0720-0045-94 & 0720-0124-94 | 25JUL94 | OKS DAP | | |

METRIC
 DIMENSIONS LISTED IN mm [INCHES]



| | |
|-------------------------------|----------------------------|
| AMP WIRE RANGE | UL E13288 Listed |
| 4 AWG SOLID OR STRANDED | 4 AWG STRANDED |
| SR LR7189 Certified | MILITARY P/N AND CLASS |
| 4 AWG SOLID OR STRANDED | NOT APPLICABLE |

1 STAMP AMP 4* APPROX AS SHOWN



| | | | | | | |
|--|--|---|--|-----------------------------|---|-----------------------|
| AMP INCORPORATED CUSTOMER SERVICE SYSTEMS | | MAX RECOMMENDED OPERATING TEMPERATURE: 170°C MAX | DO NOT SCALE PRINT. UNLESS SPECIFIED DIMENSIONS IN mm [INCHES] - TOLERANCES ON : 2 PLC DEC ± - 3 PLC DEC ± - ANGLES ± - | DR 13JUN94 DK SCHRUM | 35625 PART NO | |
| FOR ADDITIONAL PRODUCT INFORMATION OR COPIES OF DRAWINGS AND TECHNICAL DOCUMENTS | PRODUCT INFORMATION CENTER 1-800-522-6752 | VOLTAGE RATING: NOT APPLICABLE | MATERIAL COPPER PER ASTM B-152 ANNEALED | CHK 05AUG94 DA PATTERSON | AMP AMP Incorporated Harrisburg, PA 17105-3608 | |
| FOR APPLICATION TOOLING INFORMATION | TOOLING ASSISTANCE CENTER 1-800-722-1111 | WIRE CROSS SECTIONAL AREA RANGE: 16.8-26.7mm² [33,100-52,600] CIR MILS SOLID OR STRANDED | FINISH TIN PLATE 0.00254 [0.000100] MIN THK PER MIL-T-10727 | APPD 05AUG94 CH KULYNYCH | NAME TERMINAL, RING TONGUE, BENT 90°, SOLISTRAND™ | |
| FOR ORDER ENTRY | 1-800-526-5142 | THIS DRAWING IS A CONTROLLED DOCUMENT FOR AMP INCORPORATED. IT IS SUBJECT TO CHANGE AND THE CONTROLLING ENGINEERING ORGANIZATION SHOULD BE CONTACTED FOR THE LATEST REVISION. | APPLICATION SPEC - | APPD 05AUG94 JL MECKLEY | SIZE C 00779 | DRAWING NO G=35625 |
| AMP 1471-6 REV 3-92 | | | WEIGHT - | PRODUCT SPEC - | SCALE 4:1 | SHEET 1 OF 1 |

CUSTOMER DRAWING

单击下面可查看定价，库存，交付和生命周期等信息

[>>TE Connectivity\(泰科\)](#)