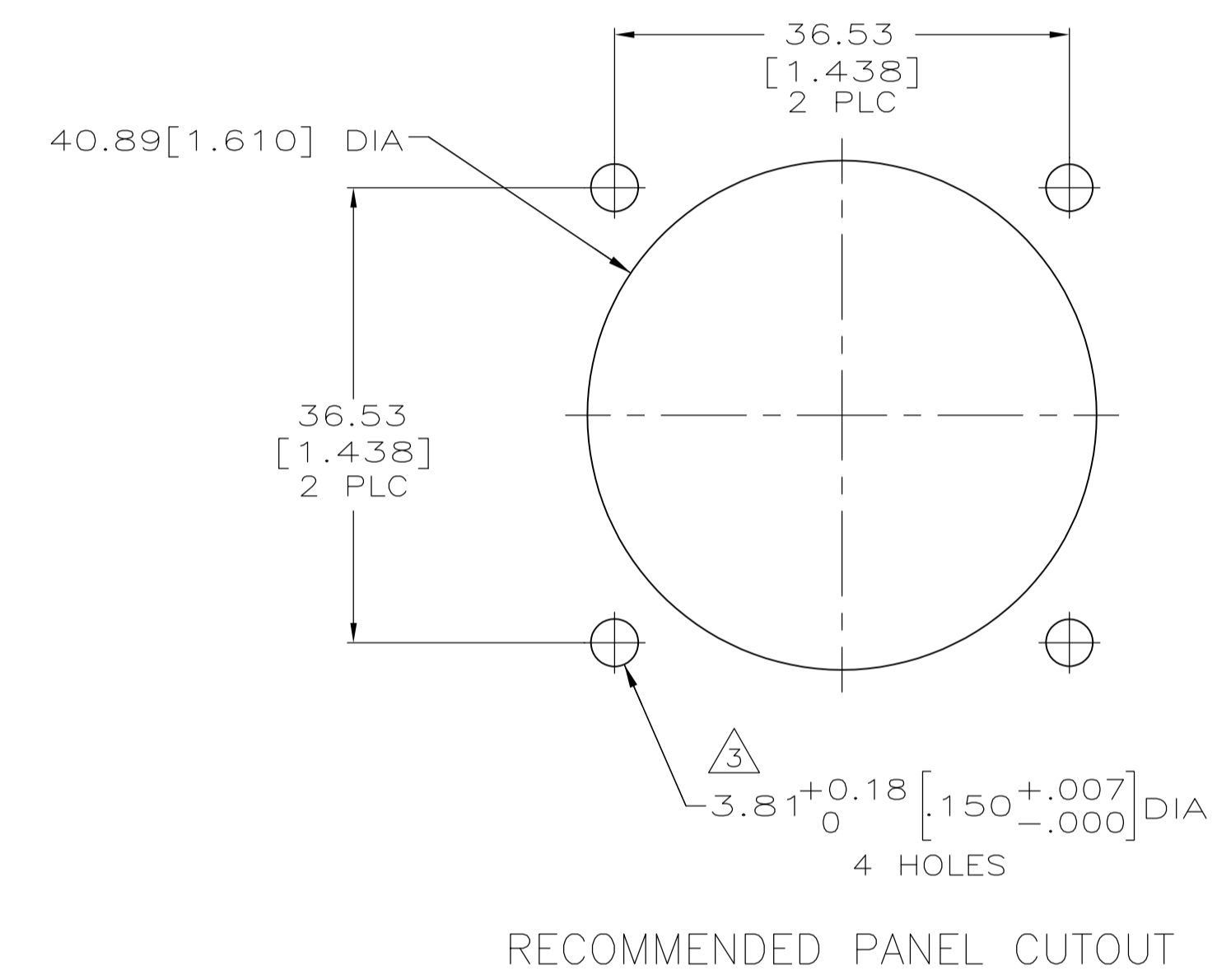
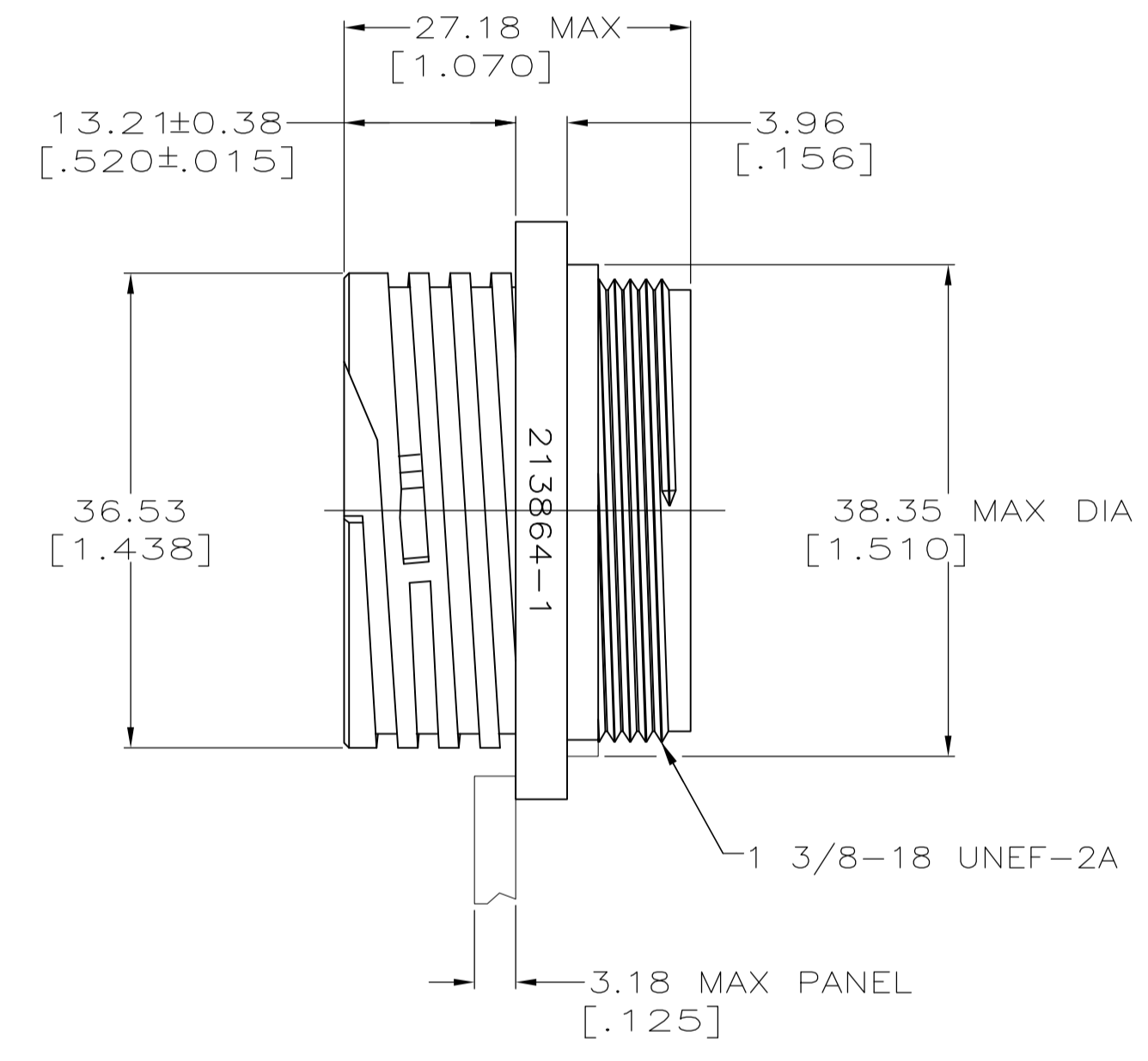
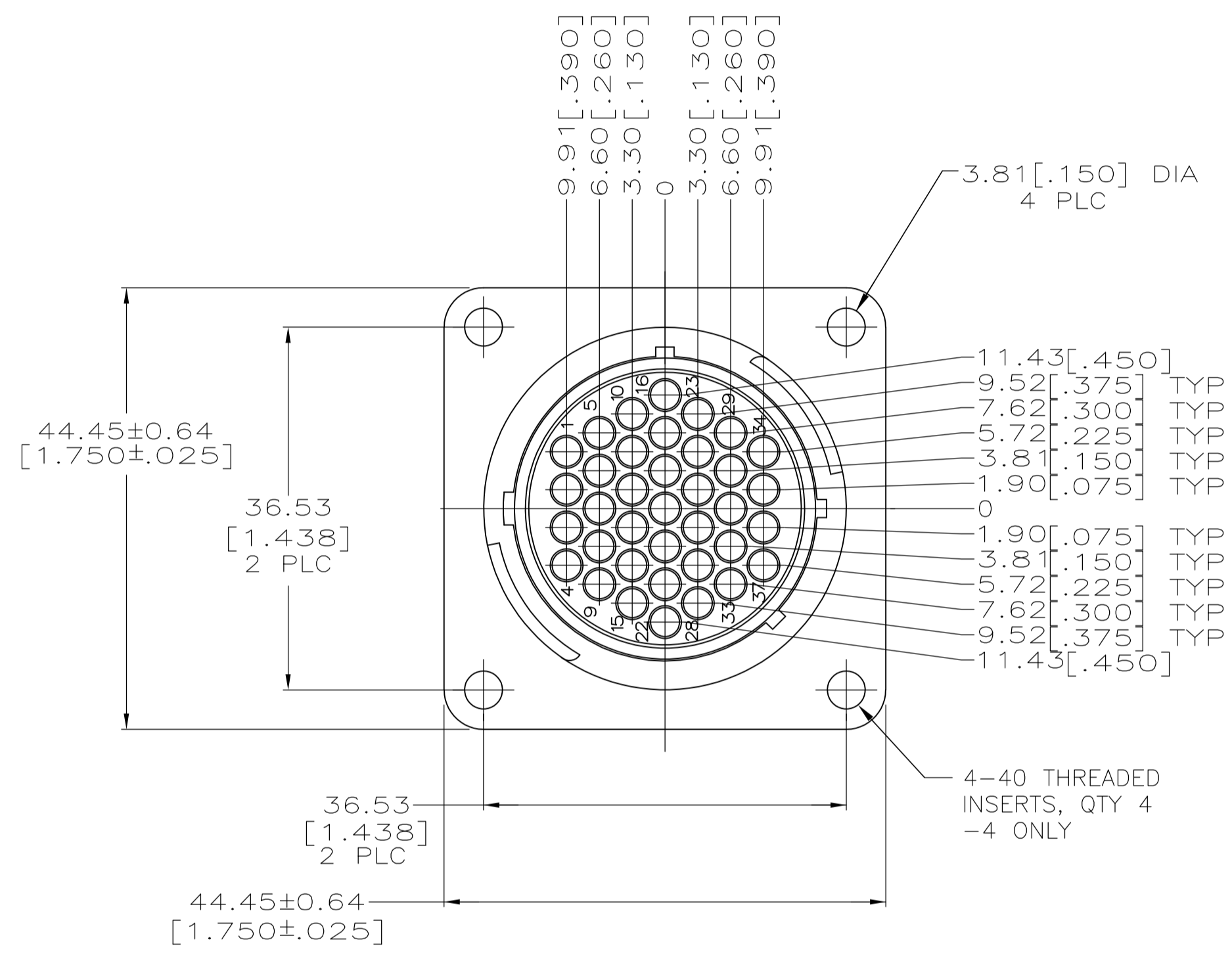


REVISIONS					
P	LTR	DESCRIPTION	DATE	DMN	APVD
C		REVISED PER ECO-12-015521	28SEP12	KH	MZ
D		REVISED PER ECR-16-015135	23NOV2016	RS	MZ

- 1 CAVITY IDENTIFICATION ON FRONT AND REAR FACE.
- 2 WILL ACCEPT THIRTY-SEVEN (37) MULTIMATE SOCKET CONTACTS.
- 3 NO 4 FASTENER RECOMMENDED FOR MOUNTING.
- 4 MATERIAL: GLASS REINFORCED NYLON.
- 5 MATERIAL: GLASS REINFORCED NYLON, 100% VIRGIN.



OBSOLETE	4	YES	-213864-4-
	5	NO	213864-2
	4	NO	213864-1
NOTES		4-40 INSERTS	PART NUMBER

THIS DRAWING IS A CONTROLLED DOCUMENT.

DIMENSIONS: mm [INCHES]	TOLERANCES UNLESS OTHERWISE SPECIFIED:	DWG: K.FOLTZ 12/22/94	CHK: R.STONE 01/05/95	APVD: -	NAME: -
0 PLC ± -	1 PLC ± -	PRODUCT SPEC: 108-10024			
2 PLC ± 0.25 [.010]	3 PLC ± -	APPLICATION SPEC: -			
4 PLC ± -	ANGLES ± -	SIZE: A1	CAGE CODE: 00779	DRAWING NO: 213864	RESTRICTED TO: -
MATERIAL: NYLON, BLACK	FINISH: -	WEIGHT: -	CUSTOMER DRAWING		SCALE: 2:1 SHEET: 1 OF 1 REV: D

STE TE Connectivity

RECEPTACLE HOUSING, REVERSE SEX, SIZE 23, CPC

单击下面可查看定价，库存，交付和生命周期等信息

[>>TE Connectivity\(泰科\)](#)