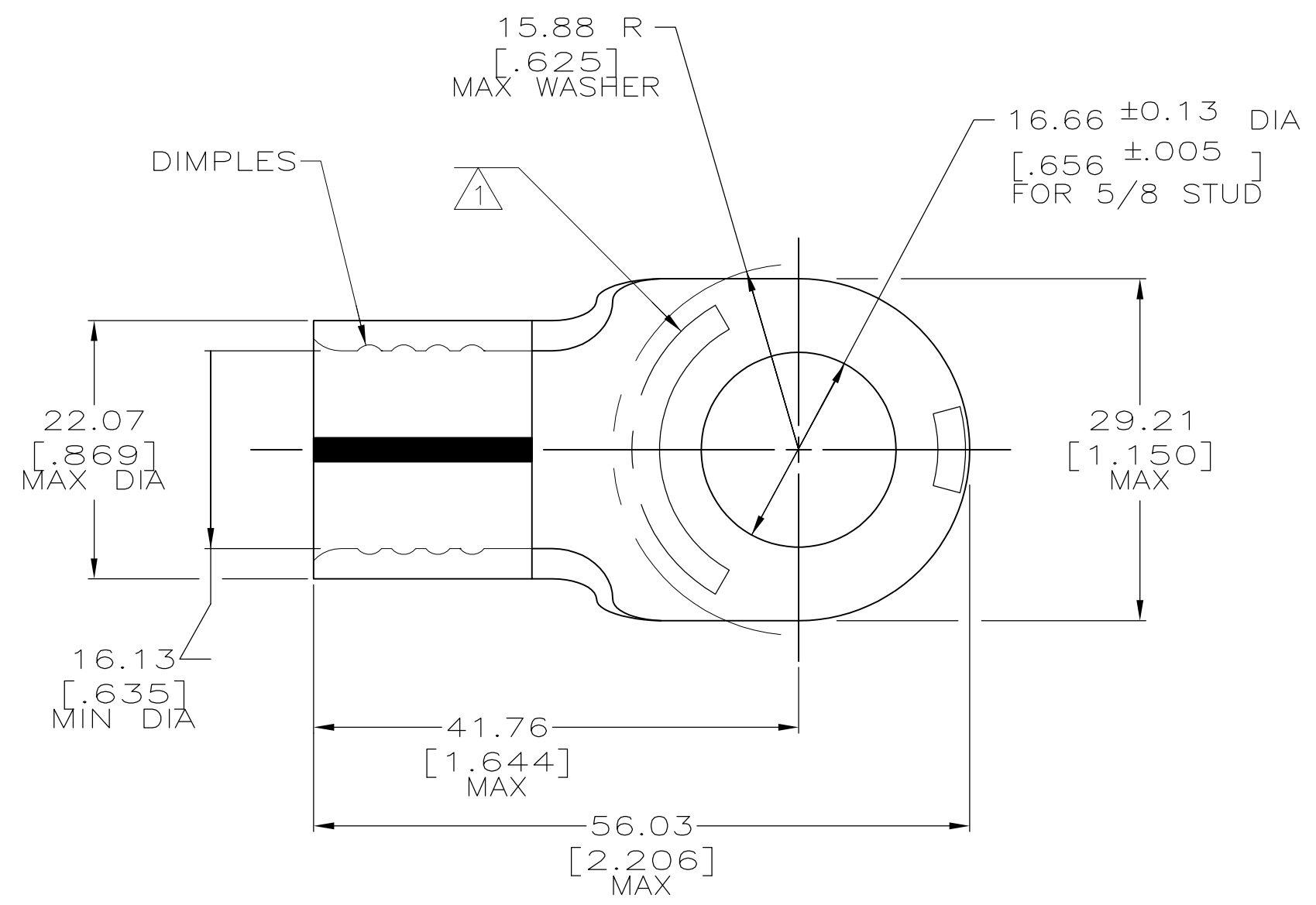


THIS DRAWING IS UNPUBLISHED. RELEASED FOR PUBLICATION
 © COPYRIGHT BY TYCO ELECTRONICS CORPORATION. ALL INTERNATIONAL RIGHTS RESERVED.

LOC	DIST	REVISIONS					
		P	LTR	DESCRIPTION	DATE	DWN	APVD
G	14						
		G1		REV PER ECR 09-026553	08DEC09	JR	TM



AMP WIRE RANGE	Listed FILE E13288	LR7189 Certified
4/0 AWG SOLID OR STRANDED	4/0 AWG SOLID OR STRANDED	4/0 AWG SOLID OR STRANDED

- ① STAMP AMP 4/0W* 200 APPROX AS SHOWN
- ② MATERIAL THK: 2.59 ± 0.08 [.102 ± 0.003]
- ③ SEE RESTRICTED CUSTOMER DRAWING 36935-1
- ④ COPPER PER ASTM B-152, ANNEALED
- ⑤ TIN PLATE 0.00254 [.000100] MIN PER B-545
- ⑥ MEETS MS20659-159, CLASS 2

OBSOLETE ③	36935-1
⑥	36935
PART NUMBER	

CUSTOMER SERVICE SYSTEMS	
FOR ADDITIONAL PRODUCT INFORMATION OR COPIES OF DRAWINGS AND TECHNICAL DOCUMENTS	PRODUCT INFORMATION CENTER 1-800-522-6752
FOR APPLICATION TOOLING INFORMATION	TOOLING ASSISTANCE CENTER 1-800-722-1111
FOR ORDER ENTRY	1-800-526-5142
RECOMMENDED OPERATING TEMPERATURE: 170° C MAX	
VOLTAGE RATING: NOT APPLICABLE	
WIRE CROSS SECTIONAL AREA RANGE: 96.3-117.0mm ² [190,000-231,100] CIR MILS STRANDED	

THIS DRAWING IS A CONTROLLED DOCUMENT.	
DIMENSIONS: mm [INCHES]	TOLERANCES UNLESS OTHERWISE SPECIFIED:
	0 PLC ± -
	1 PLC ± -
	2 PLC ± 0.20 [.008]
	3 PLC ± -
	4 PLC ± -
	ANGLES ± -
MATERIAL - ④	FINISH - ⑤

DWN DK SCHRUM 15MAY96	Tyco Electronics Corporation Harrisburg, PA 17105-3608		
CHK DM SWARTZ 01JUL96			
APVD JL MECKLEY 01JUL96	NAME		
PRODUCT SPEC	TERMINAL, RING TONGUE, SOLISTRAND		
APPLICATION SPEC	SIZE	CAGE CODE	DRAWING NO
WEIGHT -	A3	00779	G-36935
CUSTOMER DRAWING		SCALE 2:1	SHEET 1 OF 1
		REV G1	

单击下面可查看定价，库存，交付和生命周期等信息

[>>TE Connectivity\(泰科\)](#)