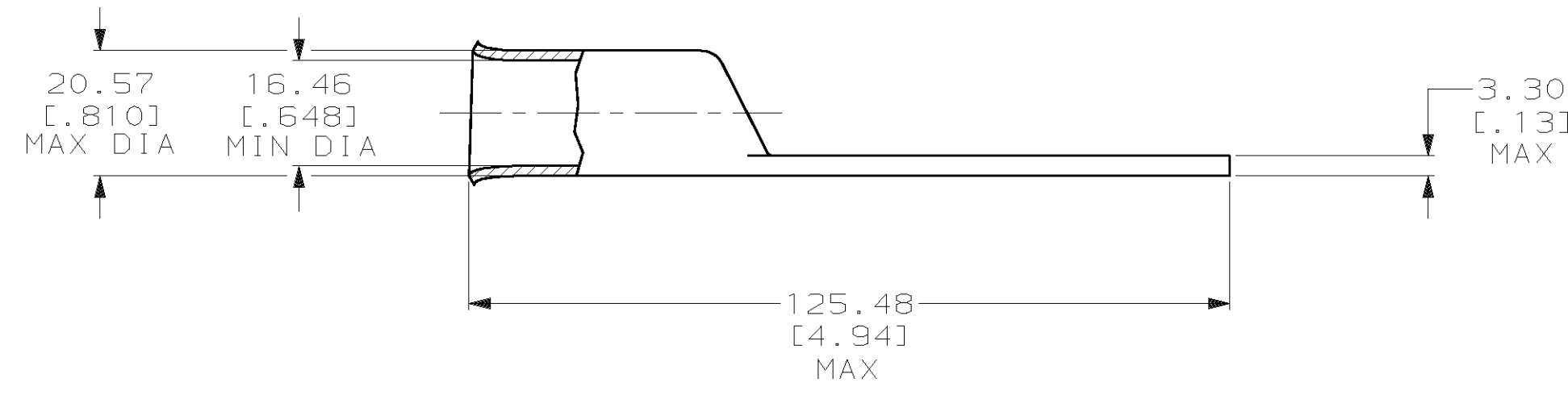
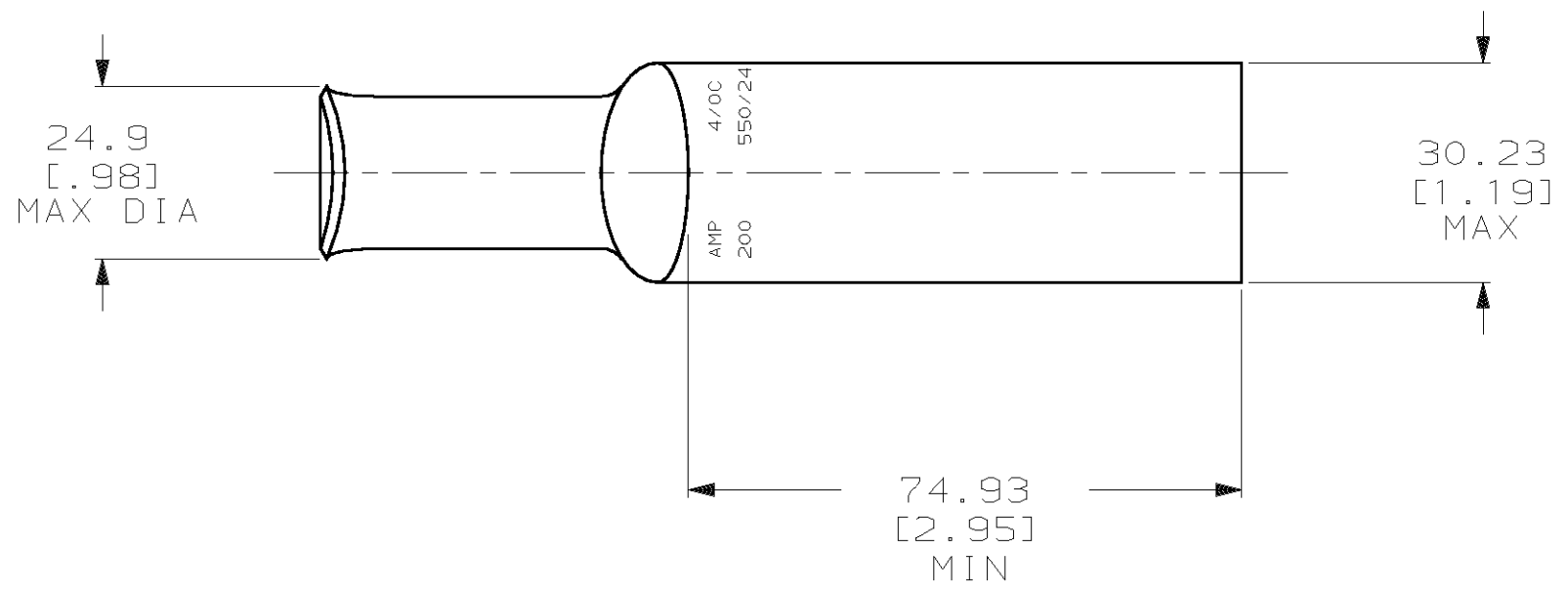


THIS DRAWING IS UNPUBLISHED. RELEASED FOR PUBLICATION, 19 .
 © COPYRIGHT 19 BY AMP INCORPORATED. ALL INTERNATIONAL RIGHTS RESERVED.

REVISIONS								
LOC	DIST	P	F	ZONE	LTR	DESCRIPTION	DATE	APPD
G	86				F	REV PER 0G3A-0561-01	08OCT02	JR/MS

1 CIRCULAR MIL RANGE: 190,000-231,000 CM



325614

325614

PART NO

DO NOT SCALE PRINT. UNLESS SPECIFIED DIMENSIONS IN mm [INCHES] TOLERANCES ON : 2 PLC DEC ± - 3 PLC DEC ± - ANGLES ± -		DR 02/28/90 DK SCHRUM	AMP Incorporated Harrisburg, PA 17105-3608		
MATERIAL COPPER PER ASTM B-75 ANNEALED		CHK 8/10/92 AJ KAUFMAN			
FINISH TIN PLATE 0.00381 [.000150] MIN THK PER MIL-T-10727		APPD 8/10/92 RE ROSER	NAME TERMINAL, AMPOWER, WIRE SIZE: 4/0 AWG		
THIS DRAWING IS A CONTROLLED DOCUMENT FOR AMP INCORPORATED. IT IS SUBJECT TO CHANGE AND THE CONTROLLING ENGINEERING ORGANIZATION SHOULD BE CONTACTED FOR THE LATEST REVISION.		APPD 8/10/92 JL MECKLEY	SIZE C	CAGE CODE 00779	DRAWING NO C-325614
		PRODUCT SPEC -	SCALE 1:1	SHEET 1 OF 1	
		APPLICATION SPEC -	CUSTOMER DRAWING		
		WEIGHT .102 LBS			

单击下面可查看定价，库存，交付和生命周期等信息

[>>TE Connectivity\(泰科\)](#)