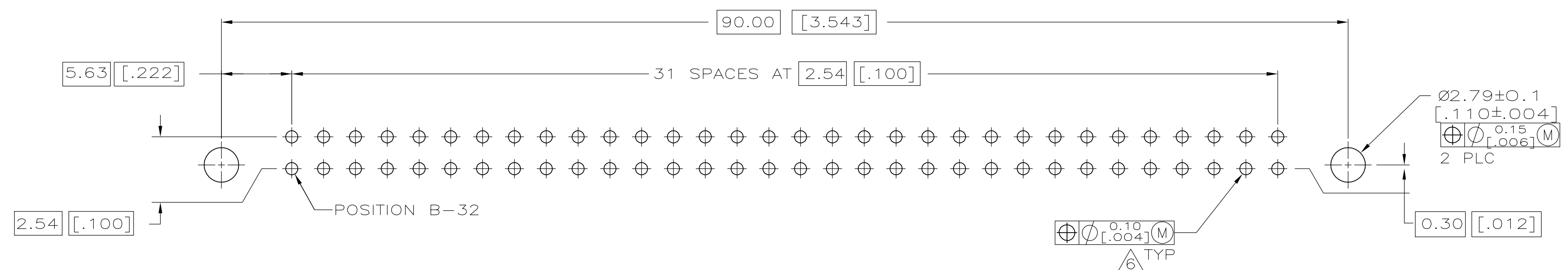
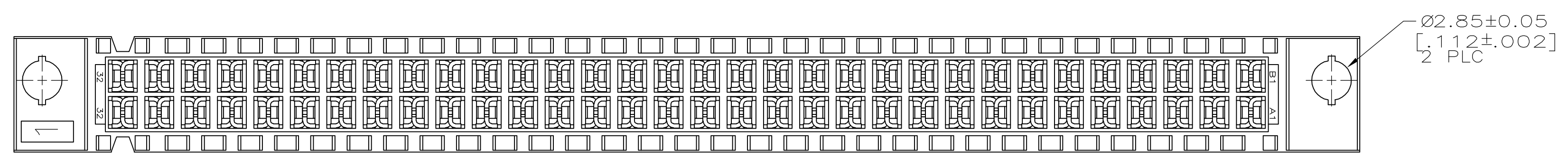
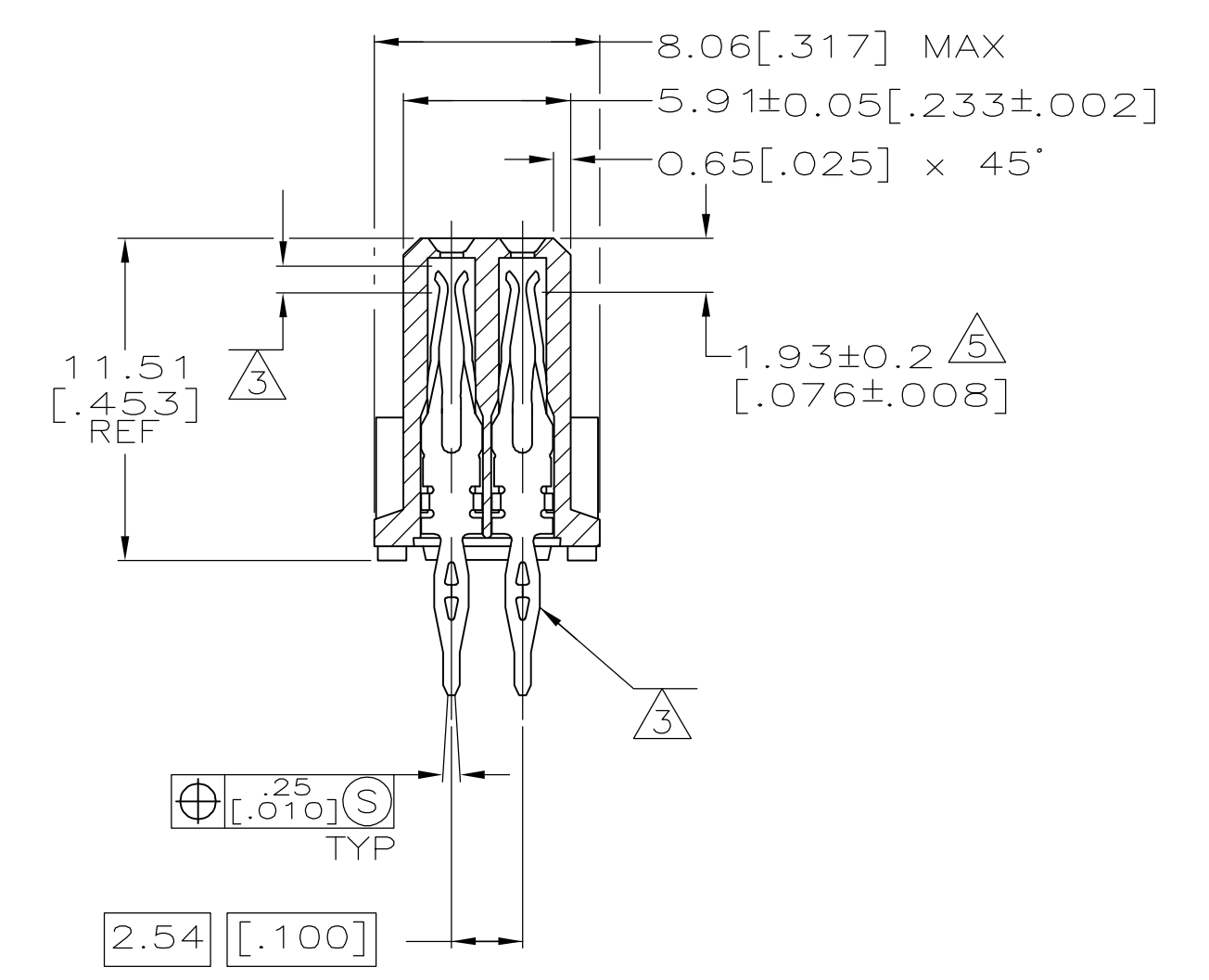
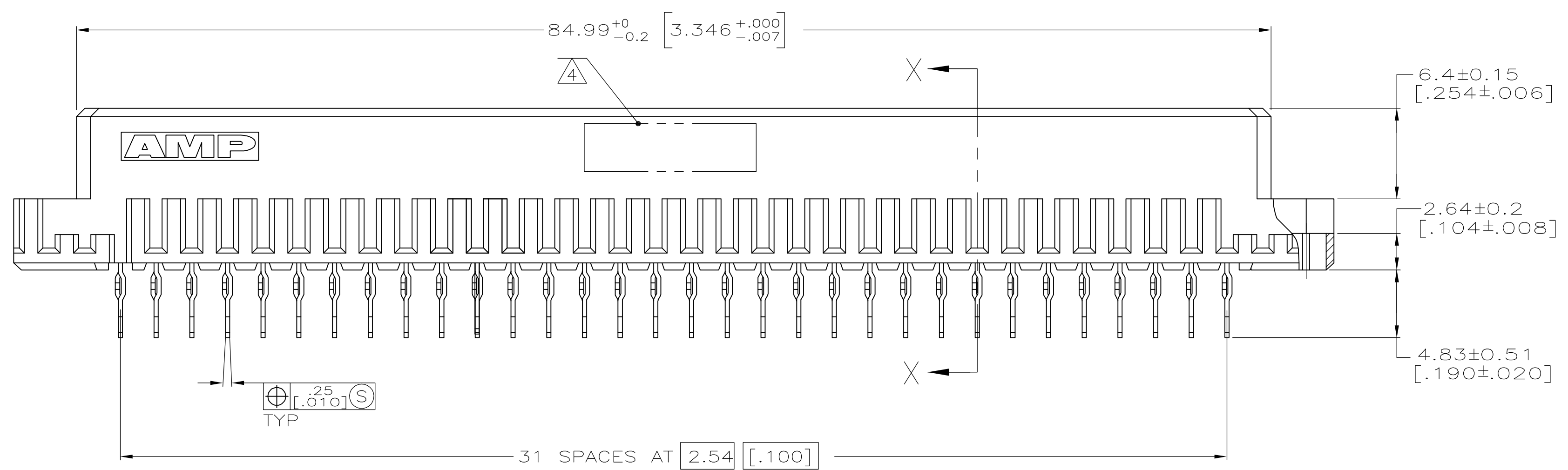
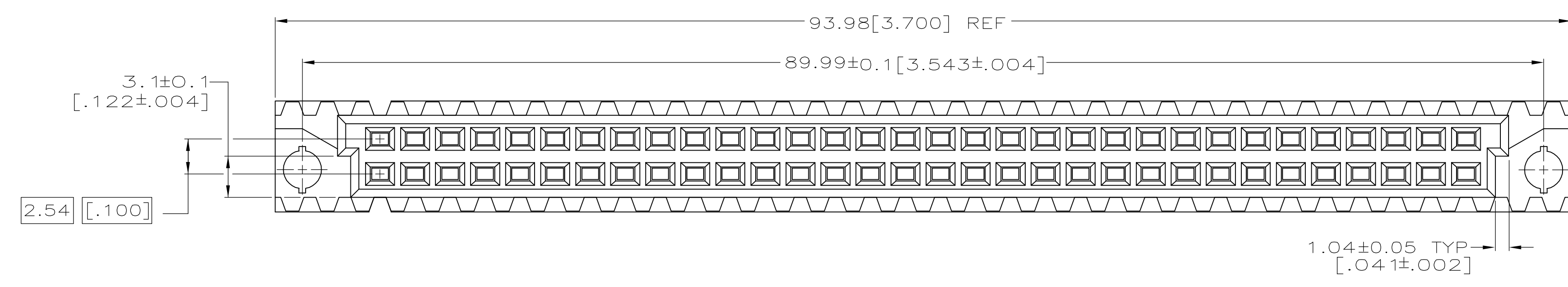


LOC		DIST		REVISIONS			
AD	25	F	LTR	DESCRIPTION	DATE	DWN	APVD
		0		RELEASE PER EC 0512-0082-05	03JUN05	JDP	AMS

- 1 HOUSING MATERIAL: GLASS-FILLED POLYMER.
- 2 CONTACT MATERIAL: COPPER ALLOY.
- 3 CONTACT FINISH: DIN 41612 CLASS 2 IN CONTACT AREA. TIN PLATE ON POSTS.
- 4 PART NUMBER, DATE CODE IDENTIFICATION, CSA LOGO IN THIS APPROXIMATE AREA, ON REVERSE SIDE.
- 5 CONTACT POINT.
- 6 ACTION PIN POSTS REQUIRE 1.57[.062] MINIMUM THICK PC BOARD. RECOMMENDED PC BOARD HOLES ARE $\varnothing 1.151 \pm 0.02 [0.0453 \pm 0.001]$ DRILLED HOLES WITH 0.02-0.07[.001-.003] COPPER AND 0.008[.0003] MINIMUM TIN-LEAD PLATING. FINISHED HOLES AFTER PLATING, $\varnothing 0.94-1.09 [0.037-.043]$.



5650865-5
 ASSY PART NUMBER

THIS DRAWING IS A CONTROLLED DOCUMENT.		DWN: J. POLIGNONE	03JUN05	 Tyco Electronics Corporation Harrisburg, Pa 17105-3608
DIMENSIONS: mm [INCHES]		CHK: A. SHARPE	03JUN05	
TOLERANCES UNLESS OTHERWISE SPECIFIED:		APP'D: A. SHARPE	03JUN05	NAME: ASSEMBLY, RECEPTACLE, EUROCARD, TYPE B, LEAD-FREE, 64 POSITION, 4.83[.190], TOOLLESS, PRESS-FIT
0 PLC ± - 1 PLC ± - 2 PLC ± 0.15[.005] 3 PLC ± - 4 PLC ± - ANGLES ± - FINISH ± -		APPLICATION SPEC		SIZE: A1
MATERIAL		WEIGHT		CAGE CODE: 00779
CUSTOMER DRAWING		SCALE: 4:1		DRAWING NO: 5650865
		SHEET: 1 OF 1		REV: 0

单击下面可查看定价，库存，交付和生命周期等信息

[>>TE Connectivity\(泰科\)](#)