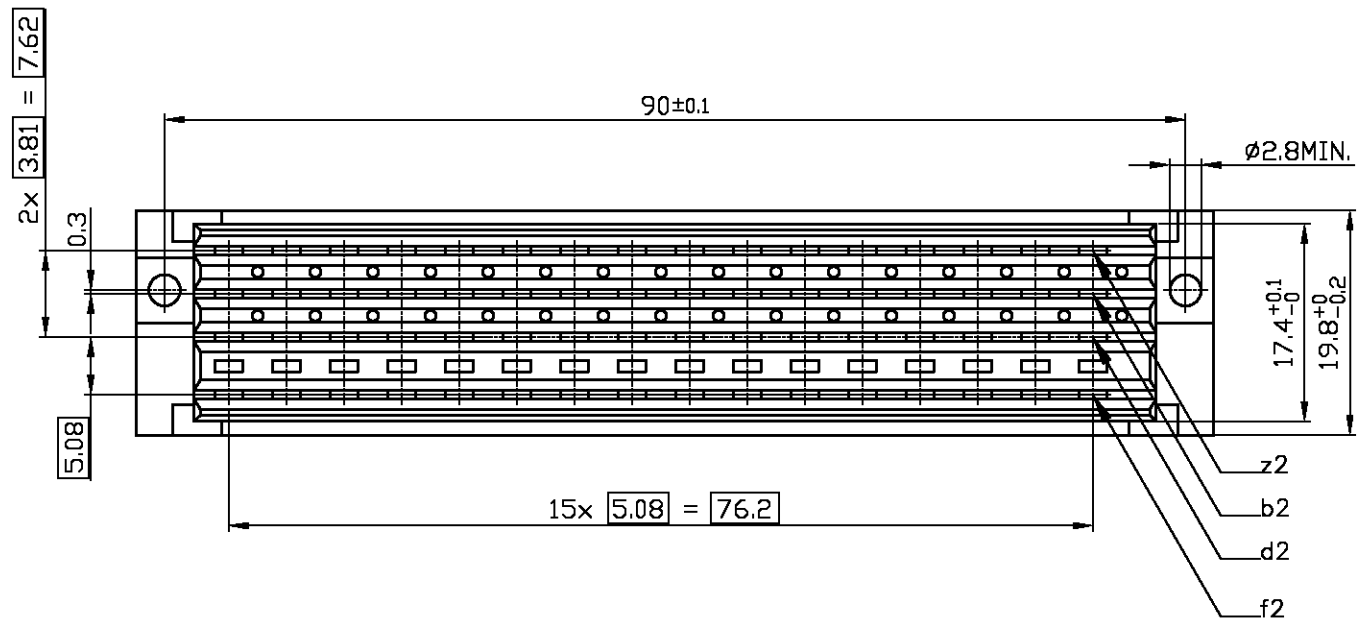


THIS DRAWING IS UNPUBLISHED. RELEASED FOR PUBLICATION  
 © COPYRIGHT BY TYCO ELECTRONICS CORPORATION. ALL RIGHTS RESERVED.

LOC	DIST	REVISIONS			
P	LTR	DESCRIPTION	DATE	DWN	APVD
H	-	B	REVISED PER ECO-21-005270	08JUN2021	RZ HL

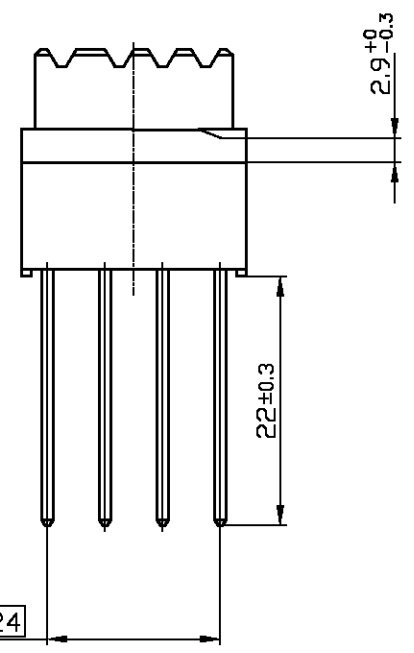
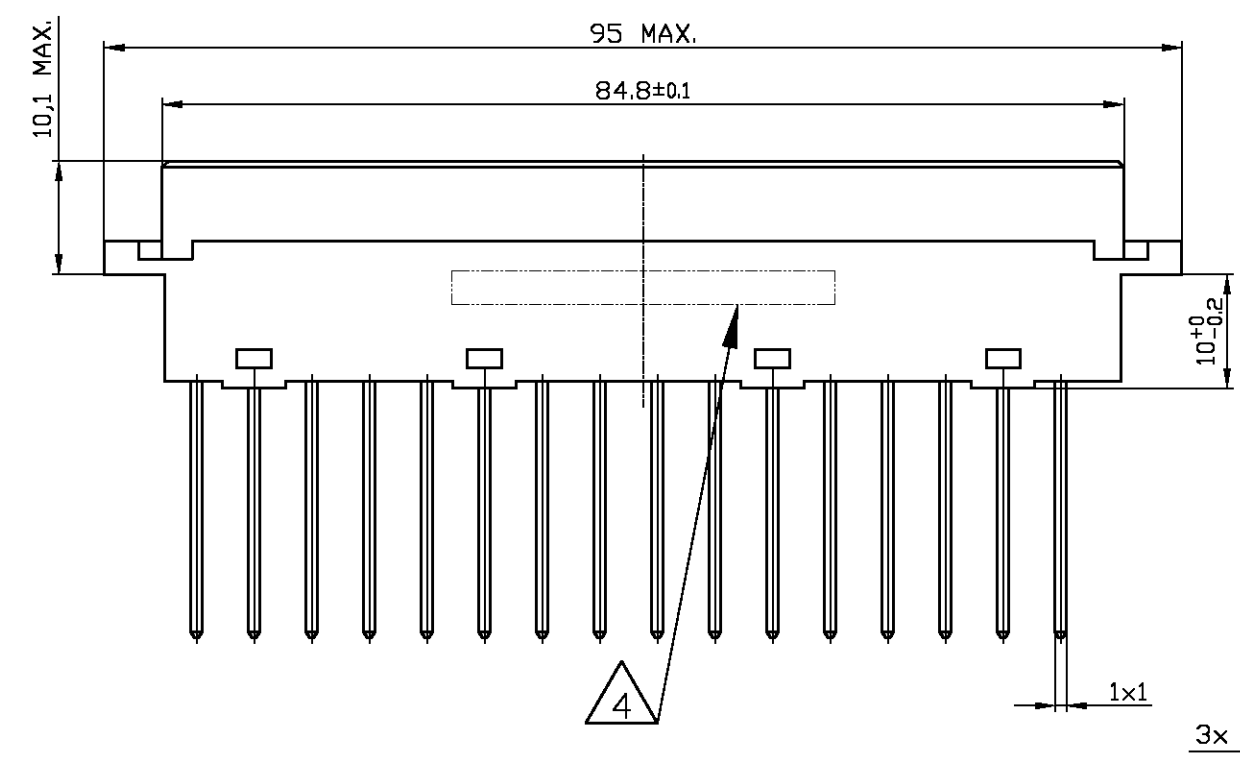


**OBSOLETE**

P/N	PERF.LVL	CONTACT ASSIGNMENT																								POS								
		1								2								3																
<del>9-1393755-0</del>	1	1	2	3	4	5	6	7	8	9	0	1	2	3	4	5	6	7	8	9	0	1	2	3	4	5	6	7	8	9	0	1	2	64
1-1393756-3	2	z	b	d	f																													
		+ CONTACT																																

NOTES:

- HOUSING: GLASS FILLED THERMOPLASTIC UL 94 V-0 RATED; GREY
  - CONTACTS: COPPER ALLOY
  - PLATING: CONTACT AREA: PERFORMANCE LEVEL 1 OR 2 (SEE TABLE) ACCORDING TO DIN 41612 AND EN 60603-2, TYPE G  
 SOLDERING AREA: 3-7µm TIN OVER 0,8µm NICKEL
- ⚠ CONNECTOR IS PRINTED WITH PARTNUMBER AND DATECODE



3x 5.08 = 15.24

THIS DRAWING IS A CONTROLLED DOCUMENT.		DWN	J.van Hoek	19DEC2007	Tyco Electronics Corporation 's-Hertogenbosch, Nederland			
DIMENSIONS: mm		CHK	B.Mooij	19DEC2007				
TOLERANCES UNLESS OTHERWISE SPECIFIED:		APVD	J.Broeksteeg	19DEC2007				
0 PLC ± - 1 PLC ± - 2 PLC ± - 3 PLC ± - 4 PLC ± - ANGLES ± -		NAME		EUROCARD FEMALE CONNECTOR TYPE G 64 POS. STRAIGHT				
MATERIAL		FINISH		PRODUCT SPEC	SIZE	CAGE CODE	DRAWING NO	RESTRICTED TO
-		-		-	A3	00779	C-9-1393755-0	-
CUSTOMER DRAWING				WEIGHT	SCALE	SHEET	REV	
				-	1:1	1 OF 1	B	

单击下面可查看定价，库存，交付和生命周期等信息

[>>TE Connectivity\(泰科\)](#)