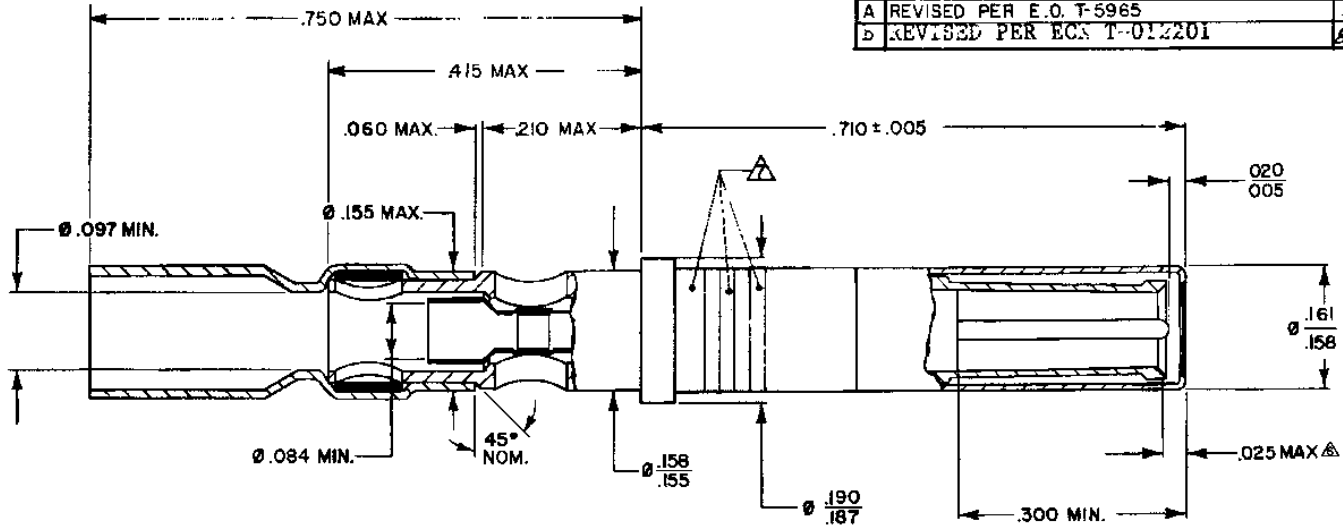


REVISIONS		DATE	APPROVED
—	RELEASED PER E.O. D-3036	2/28/85	35
A	REVISED PER E.O. T-5985	1/22/86	4
D	REVISED PER E.O. T-012201	8/5/11	H. B. H. H.



NOTES:

1. THIS CONTACT IS DESIGNED FOR USE IN DOD-C-83527 RACK AND PANEL CONNECTORS.
 2. THIS CONTACT IS DESIGNED TO TERMINATE THE CABLES IN THE TABLE
 3. INSERTION-EXTRACTION TOOL : MIL-I-81969/14-04.
 4. FOR TERMINATION PROCEDURES SEE RAYCHEM SPECIFICATION ES 61236
 5. MATING CONTACT (FOR SIMILAR CABLES): D-602-0094
- △ POINT AT WHICH A SQUARE ENDED $\varnothing.0930 \pm .0025$ PIN FIRST ENGAGES THE OUTER SPRING CONTACT.

CABLES ACCOMMODATED	
RG CABLE	RAYCHEM CABLE
RG 174 U	5024 AIXIX
RG 178 B/U	7528 AIXIX
RG 179 B/U	9530 AIXIX
RG 316 U	9532 AIXIX

REQUIREMENTS:

- a. CONTACT MATERIAL: COPPER ALLOY, PER QQ-B-626 & QQ-C-530.
- b. INSULATOR MATERIAL: FLUOROPOLYMER.
- c. PLATING: GOLD PER MIL-G-45204, NICKEL, PER QQ-N-290, OVER COPPER.
3. MAXIMUM OPERATING TEMPERATURE 125°C.
4. PERFORMANCE REQUIREMENTS PER MIL-C-39029 EXCEPT AS FOLLOWS:
 - a. DIELECTRIC WITHSTANDING VOLTAGE: 900 VOLTS RMS MINIMUM.
 - b. INSULATION RESISTANCE: 5000 MEGOHMS MINIMUM.
 - c. ENGAGEMENT FORCE, OUTER SOCKET: 30 oz. MAXIMUM.
 - d. SEPARATION FORCE, OUTER SOCKET: 3.0 oz. MINIMUM.

△ BIN CODE GREEN GREEN GREEN

If this document is printed it becomes uncontrolled.
Check for the latest revision.

SPECIFICATION CONTROL DRAWING

DRAWN	CERDAN	05 FEB. 85	Tyco Electronics Corporation 2500 Connecticut Drive Melb Park, CA 94029 USA	Raychem	
CHECKED				TITLE	
APPROVED	35	1-15-85	CONTACT, COAXIAL SOCKET		
APPROVED			SIZE	CODE IDENT NO	DWG NO
UNLESS OTHERWISE SPECIFIED DIMENSIONS ARE IN INCHES METRIC DIMENSIONS ARE IN PARENTHESES			C	06090	D-602-0093
DO NOT SCALE THIS DRAWING			WEIGHT	SHEET	OF

单击下面可查看定价，库存，交付和生命周期等信息

[>>TE Connectivity\(泰科\)](#)