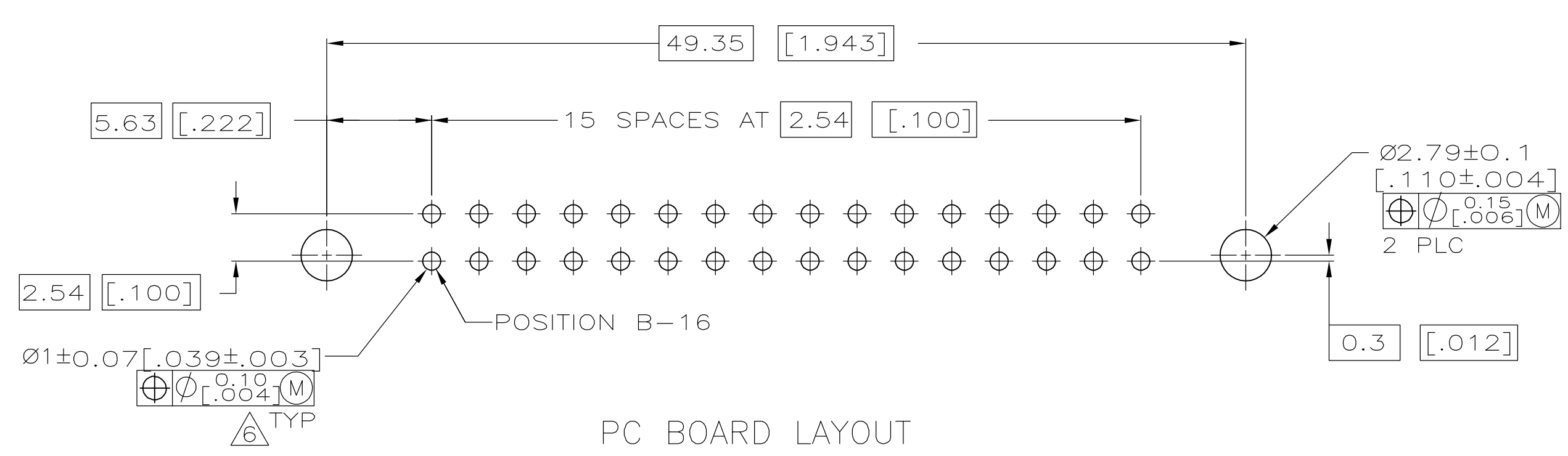
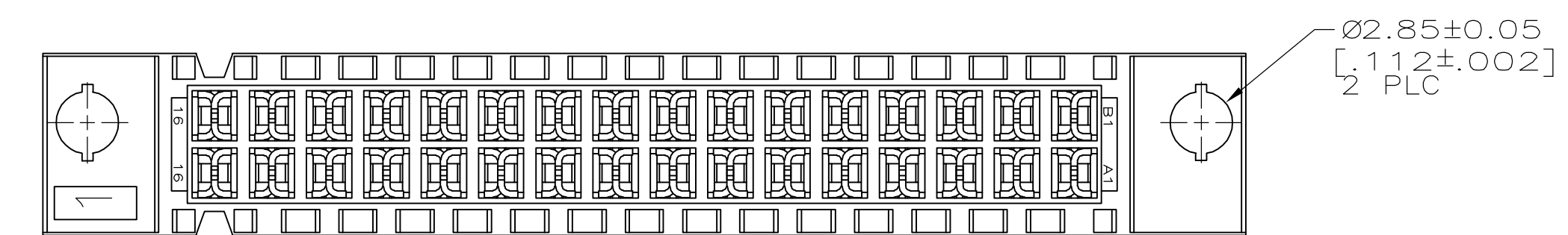
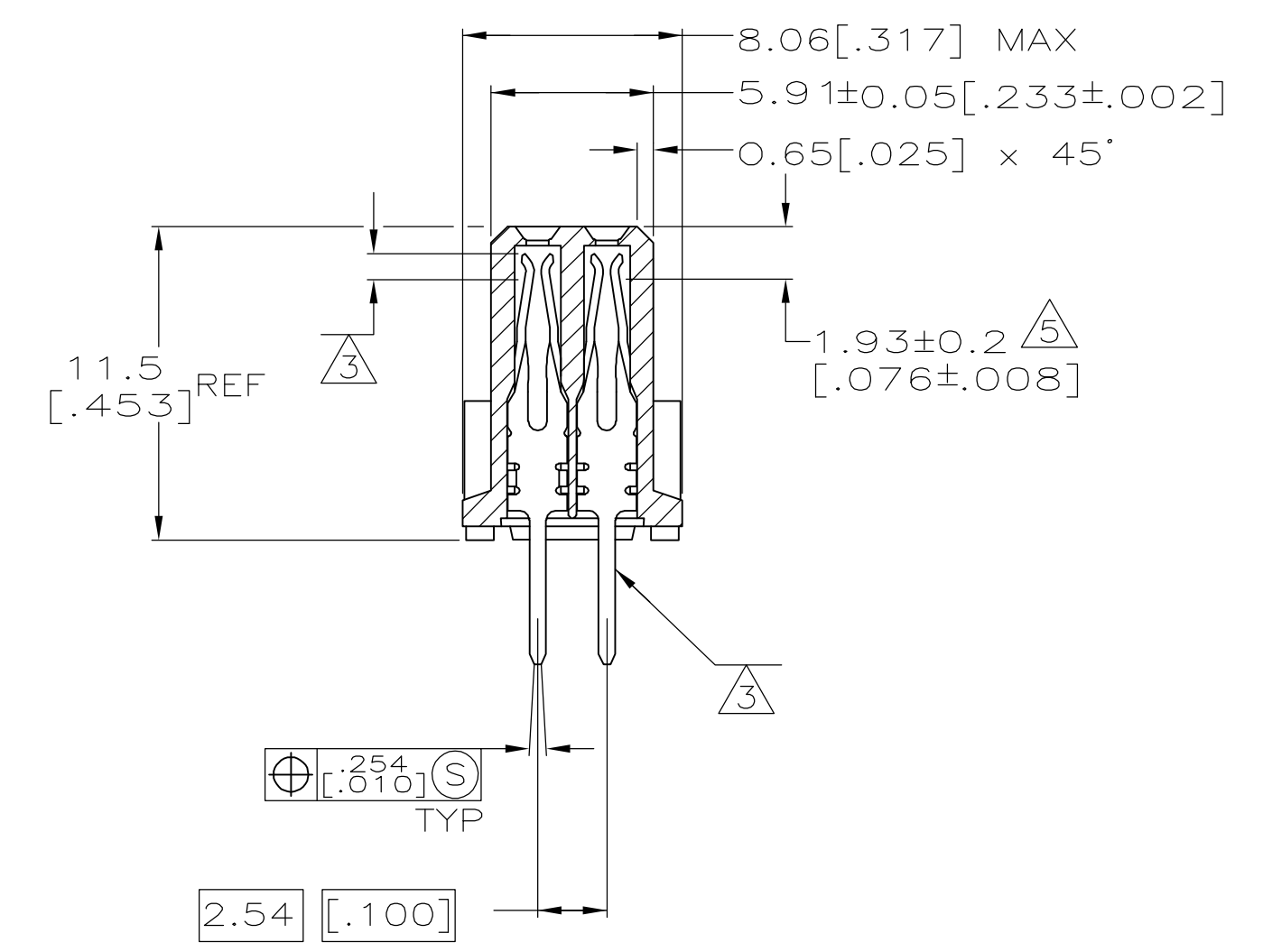
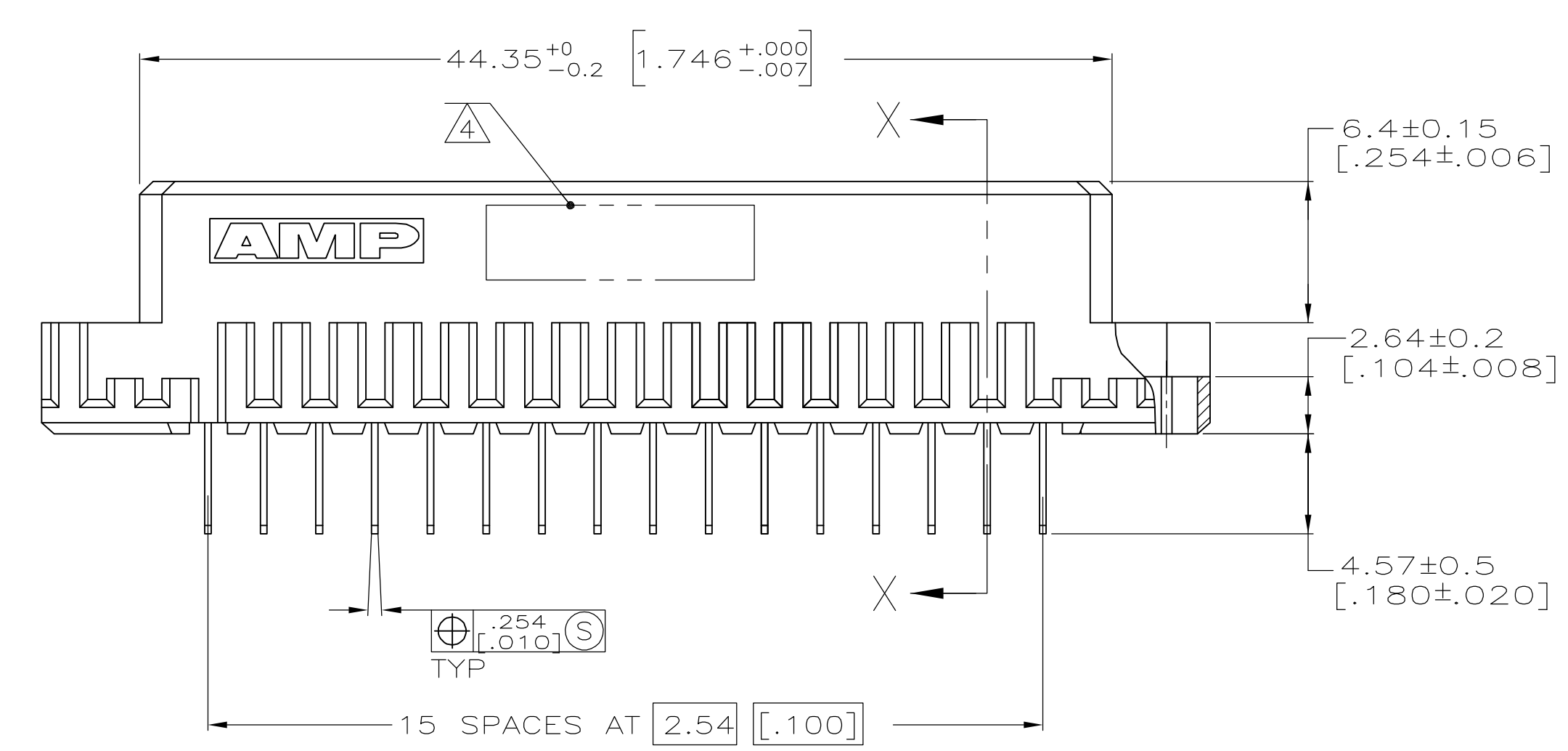
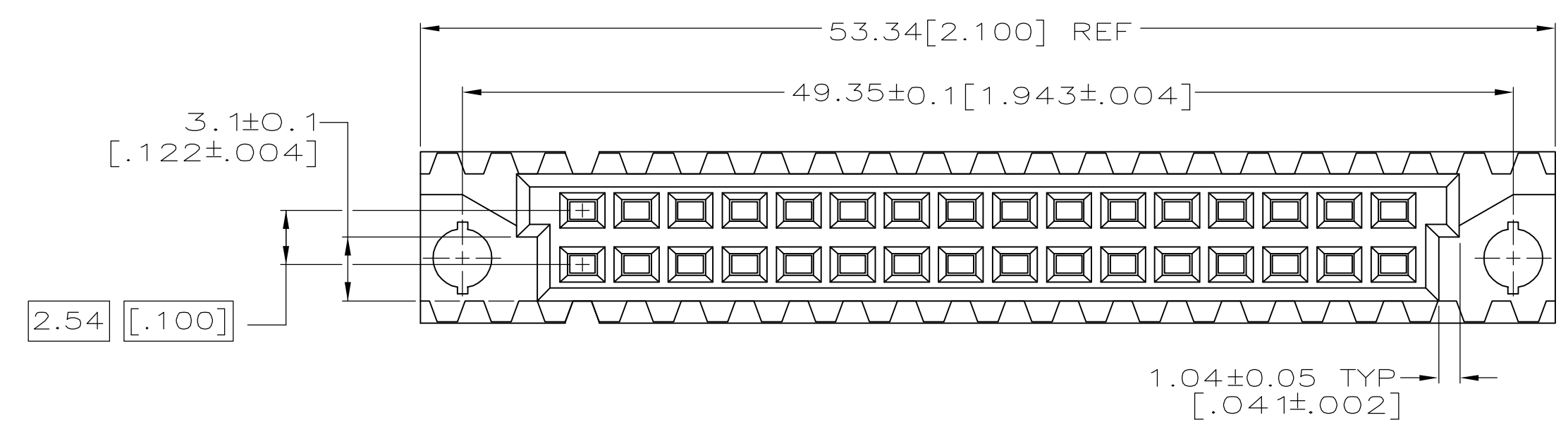


LOC		DIST		REVISIONS			
AD	25	P	LTR	DESCRIPTION	DATE	DWN	APVD
		0		RELEASE PER EC 0512-0082-05	03JUN05	JDP	AMS

- ① HOUSING MATERIAL: GLASS-FILLED POLYMER.
- ② CONTACT MATERIAL: COPPER ALLOY.
- ③ CONTACT FINISH: DIN 41612 CLASS 2 IN CONTACT AREA. TIN PLATE ON POSTS.
- ④ PART NUMBER, DATE CODE IDENTIFICATION, CSA LOGO IN THIS APPROXIMATE AREA, ON REVERSE SIDE.
- ⑤ CONTACT POINT.
- ⑥ RECOMMENDED HOLE SIZE FOR MANUAL APPLICATION OF CONNECTOR ONTO PC BOARD.



1 THRU 16	X	X	32	5650858-5
POSITIONS LOADED	B	A	NO. OF LOADED POSITION	ASSY PART NUMBER
			ROWS LOADED	

THIS DRAWING IS A CONTROLLED DOCUMENT.		DWN J. POIGNONE 03JUN05	Tyco Electronics Corporation Harrisburg, Pa 17105-3608
DIMENSIONS: mm [INCHES]		CHK A. SHARPE 03JUN05	
TOLERANCES UNLESS OTHERWISE SPECIFIED:		APP'D A. SHARPE 03JUN05	NAME
0 PLC ± -			ASSEMBLY, RECEPTACLE, EUROCARD, TYPE B, LEAD-FREE, 32 POSITION, 4.57[.180] SOLDER POSTS
1 PLC ± -			APPLICATION SPEC
2 PLC ± -			SIZE CAGE CODE DRAWING NO RESTRICTED TO
3 PLC ± 0.13[.005]			A1 00779 C=5650858
4 PLC ± -			WEIGHT -
ANGLES ± -			CUSTOMER DRAWING
FINISH			SCALE 4:1 SHEET 1 OF 1 REV 0

单击下面可查看定价，库存，交付和生命周期等信息

[>>TE Connectivity\(泰科\)](#)