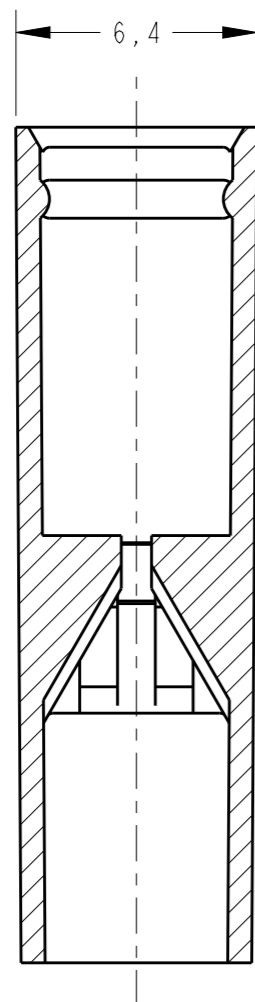
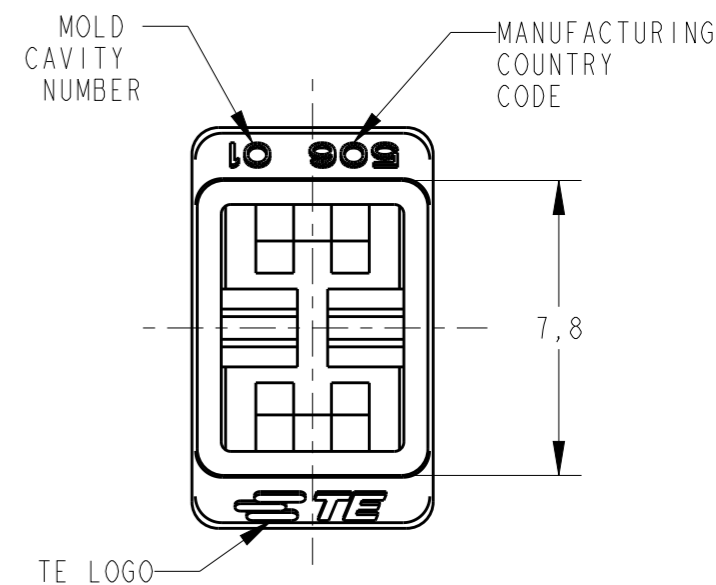
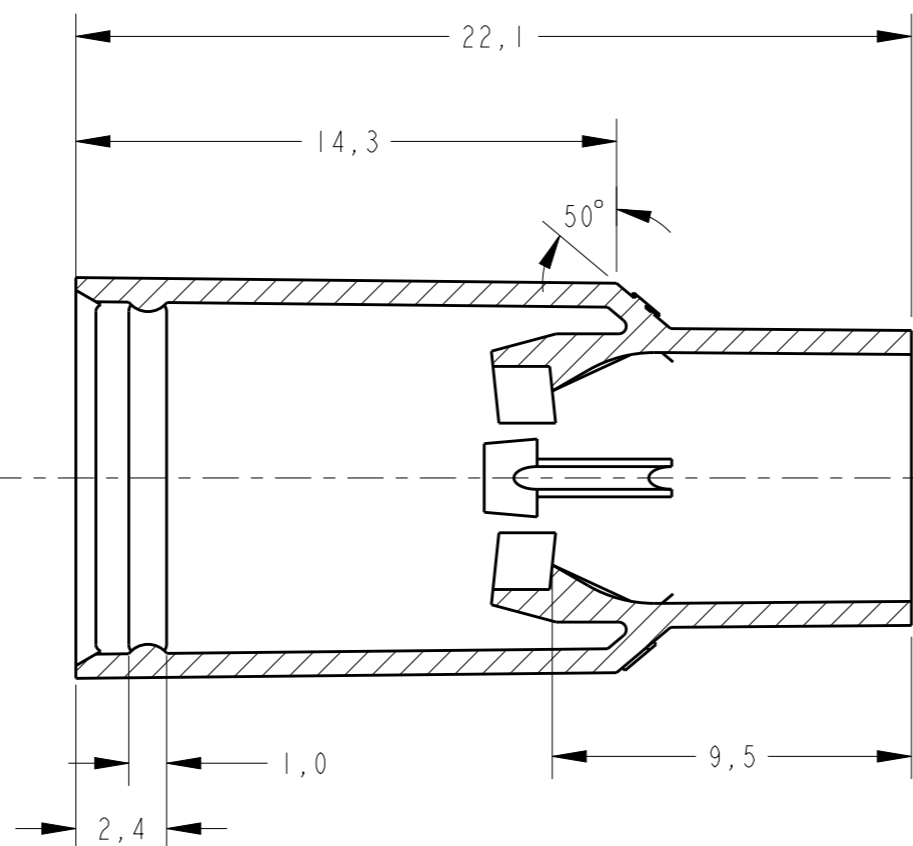
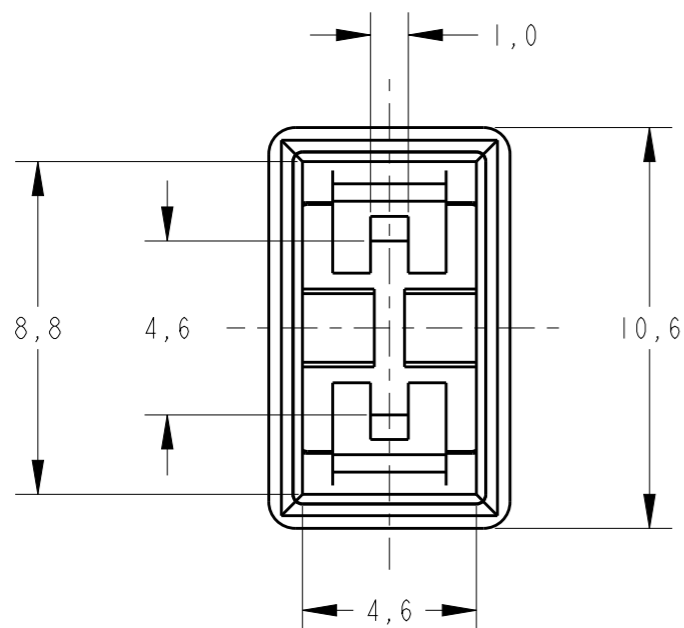


THIS DRAWING IS UNPUBLISHED. RELEASED FOR PUBLICATION 20
 © COPYRIGHT 20 BY - ALL RIGHTS RESERVED.

LOC AP
 DIST -

REVISIONS					
P	LTR	DESCRIPTION	DATE	DWN	APVD
	CI	REV. BY ECO 14-010611	30JUL2014	HC	WLS



SECTION A-A

SECTION B-B

BLACK	PA 6.6	881339-3
NATURAL	PA6.6 V-0 OR PA6.6+PA6 V-0	881339-2
NATURAL	PA 6.6	881339-1
FINISH	MATERIAL	PART NUMBER

THIS DRAWING IS A CONTROLLED DOCUMENT.		DWN H. CANTERI 30JUL2014	STE TE Connectivity	
		CHK W.L. STEFANI 30JUL2014		
DIMENSIONS: mm	TOLERANCES UNLESS OTHERWISE SPECIFIED:	APVD -	NAME SLEEVE FOR 6,35(.250)FASTON TAB	
	0 PLC ±-	PRODUCT SPEC -	SIZE A3	
	1 PLC ±0,3	APPLICATION SPEC -	CAGE CODE -	DRAWING NO C-881339
MATERIAL -	FINISH -	WEIGHT -	RESTRICTED TO -	SCALE 5:1
Customer Drawing			SHEET 1 OF 1	REV CI

单击下面可查看定价，库存，交付和生命周期等信息

[>>TE Connectivity\(泰科\)](#)