

4

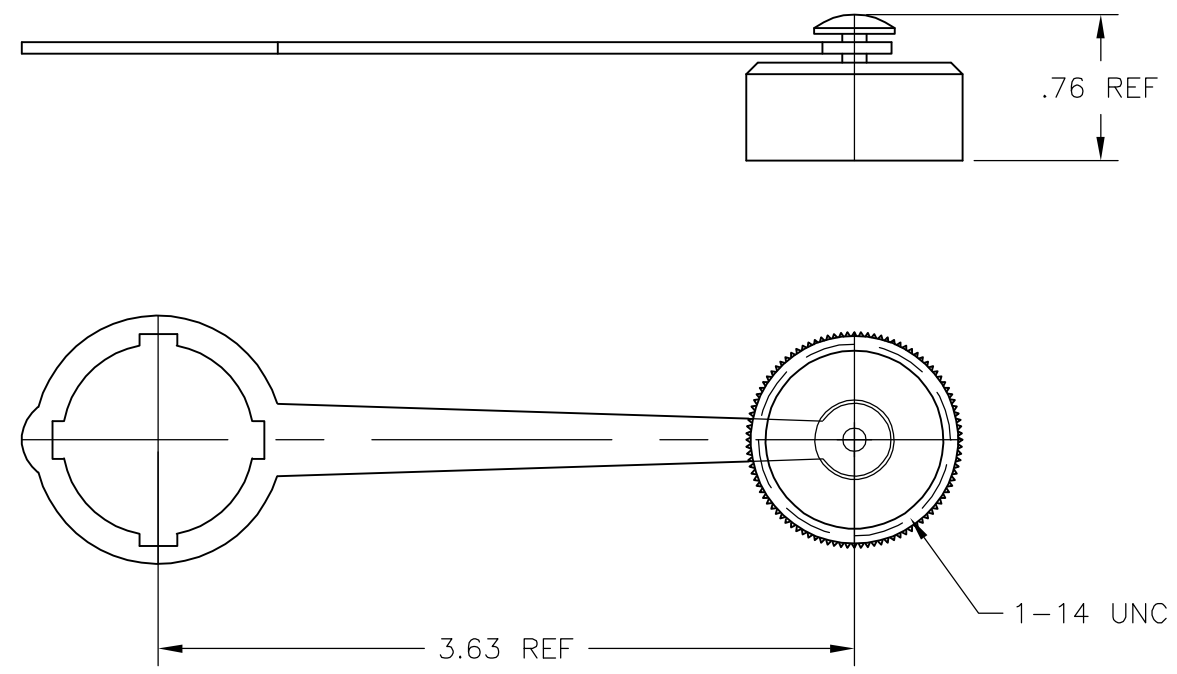
3

2

1

THIS DRAWING IS UNPUBLISHED. RELEASED FOR PUBLICATION
 © COPYRIGHT - BY TYCO ELECTRONICS CORPORATION. ALL RIGHTS RESERVED.

LOC	DIST	REVISIONS			
P	LTR	DESCRIPTION	DATE	DWN	APVD
FT	0	C	REVISED PER ECO-06-16025	7/7/06	SS DC



	1-1546406-1
SUPERSEDED	1546406-1
	PART NO.

THIS DRAWING IS A CONTROLLED DOCUMENT.		DWN	S SCHLEGEL	10/29/02	Tyco Electronics Corporation Harrisburg, PA 17105-3608	
DIMENSIONS: INCHES		CHK	H WAKEEM	10/29/02		
TOLERANCES UNLESS OTHERWISE SPECIFIED:		APVD	H WAKEEM	10/29/02	NAME	
0 PLC	± -	PRODUCT SPEC		IP67 RATED CLOSURE CAP WITH LANYARD		
1 PLC	± -	APPLICATION SPEC		-		
2 PLC	± .02	SIZE	A3	CAGE CODE	00779	DRAWING NO
3 PLC	± .005	WEIGHT		C=1546406		RESTRICTED TO
4 PLC	± -	MATERIAL		CUSTOMER DRAWING		SCALE
ANGLES	± 2'	FINISH		SCALE		NTS
-		-		SHEET		1 OF 1
				REV		C

单击下面可查看定价，库存，交付和生命周期等信息

[>>TE Connectivity\(泰科\)](#)