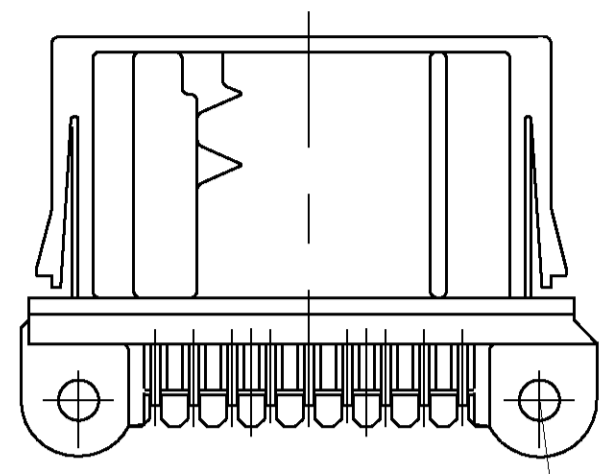
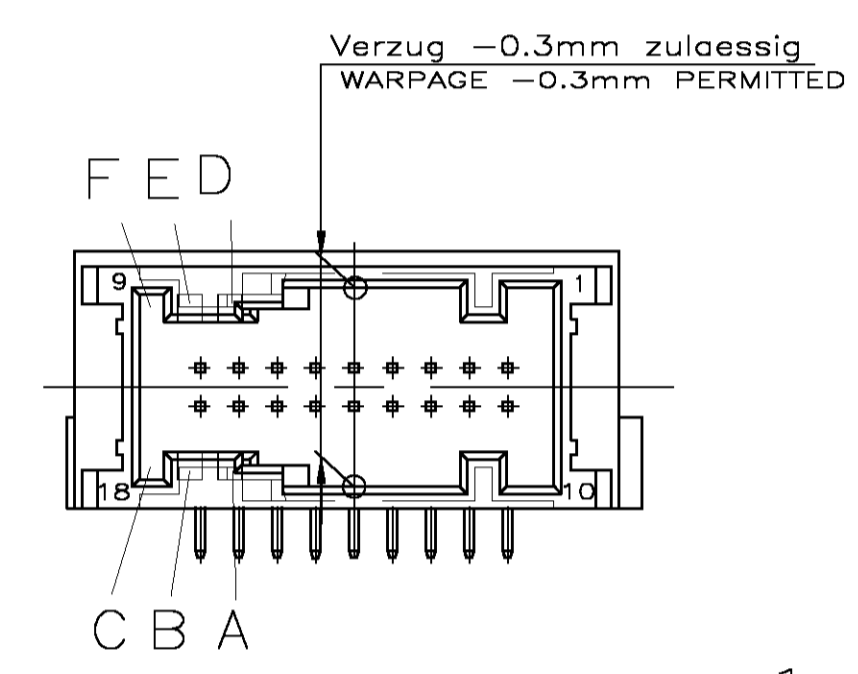
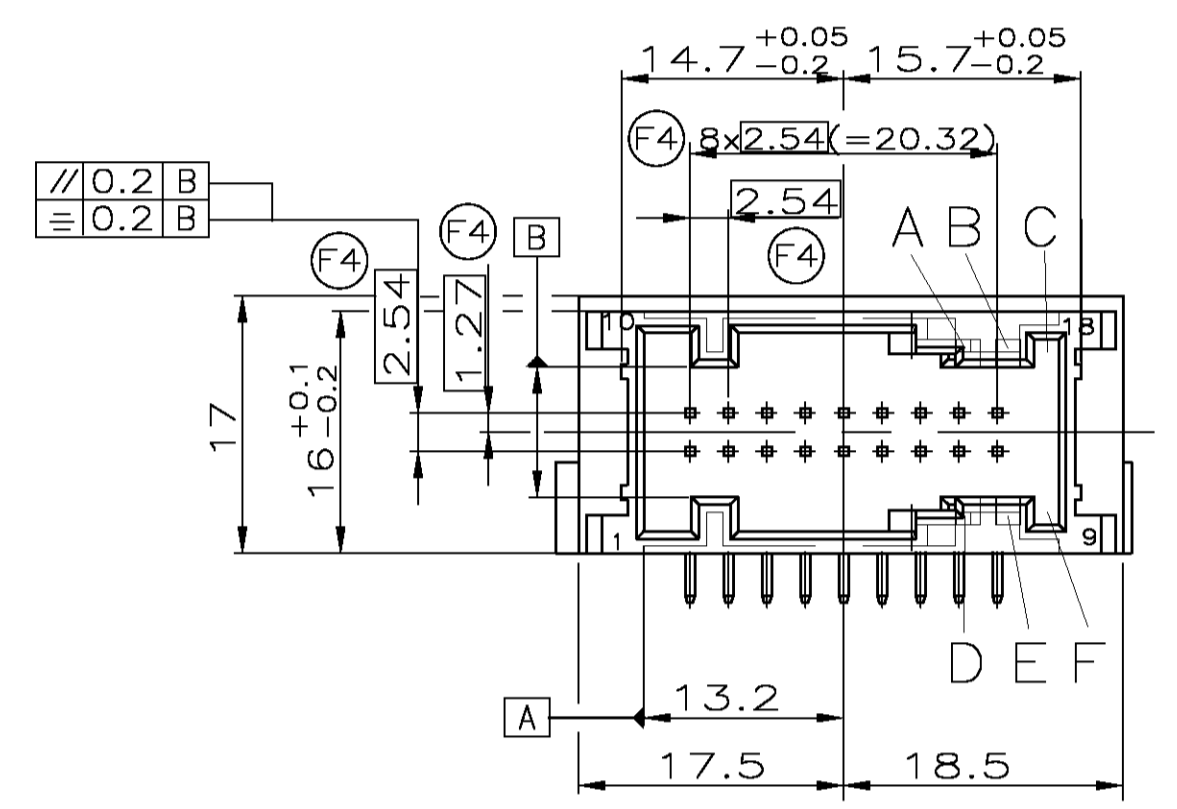
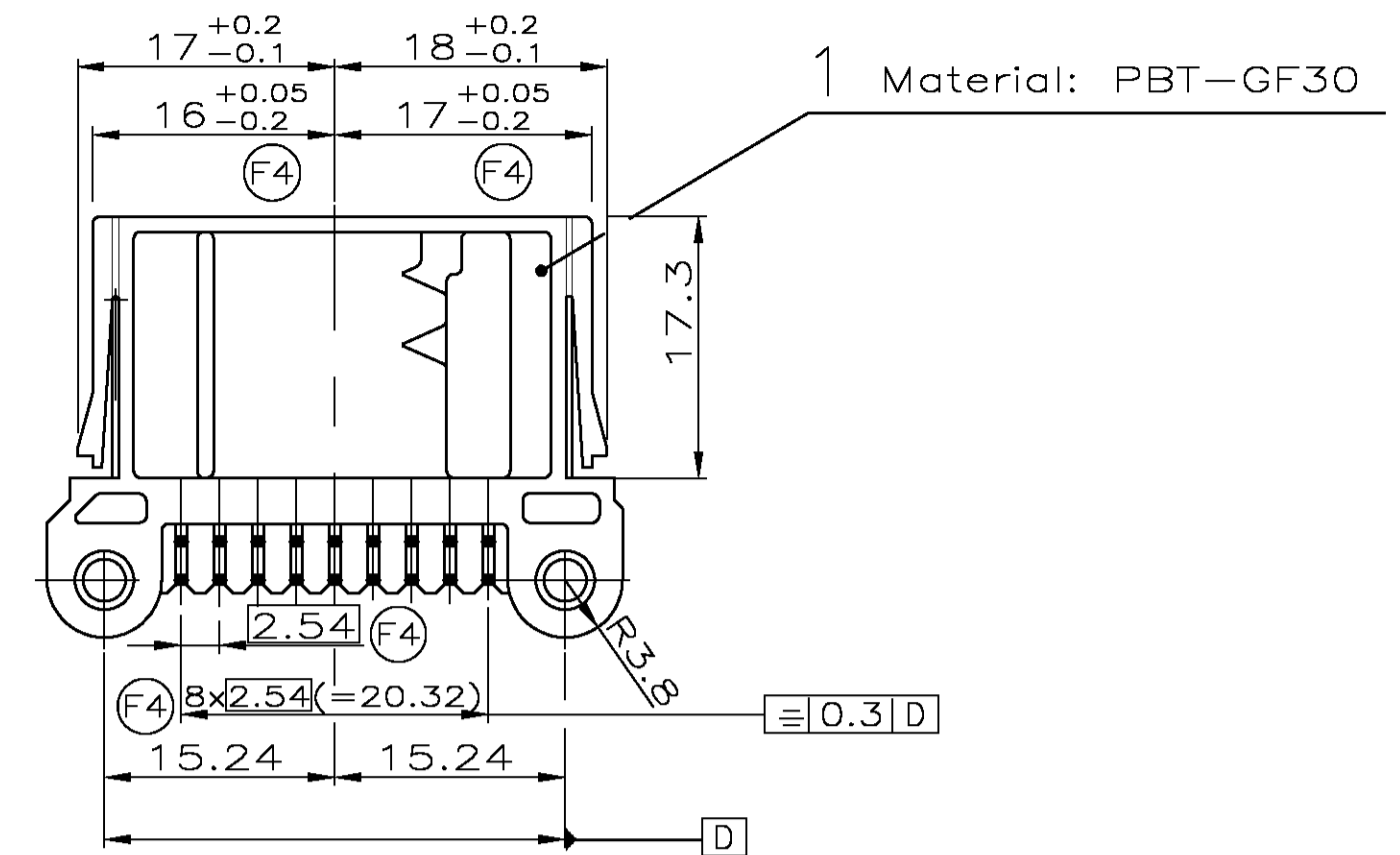
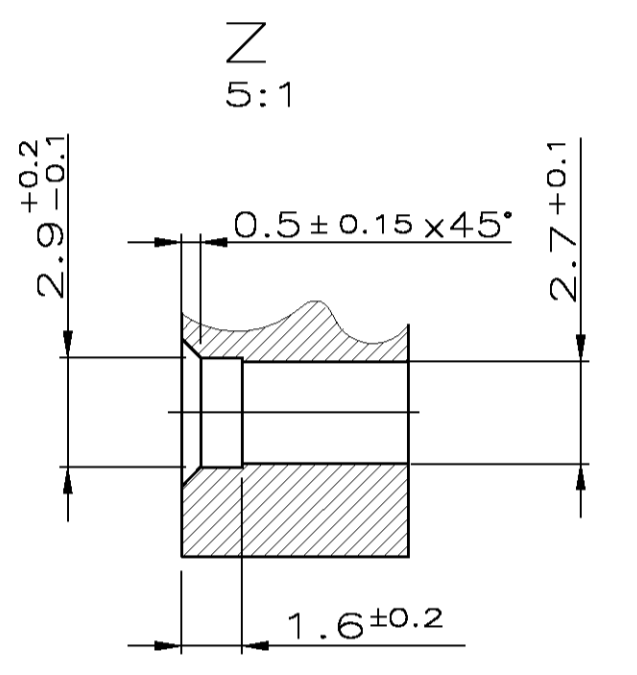
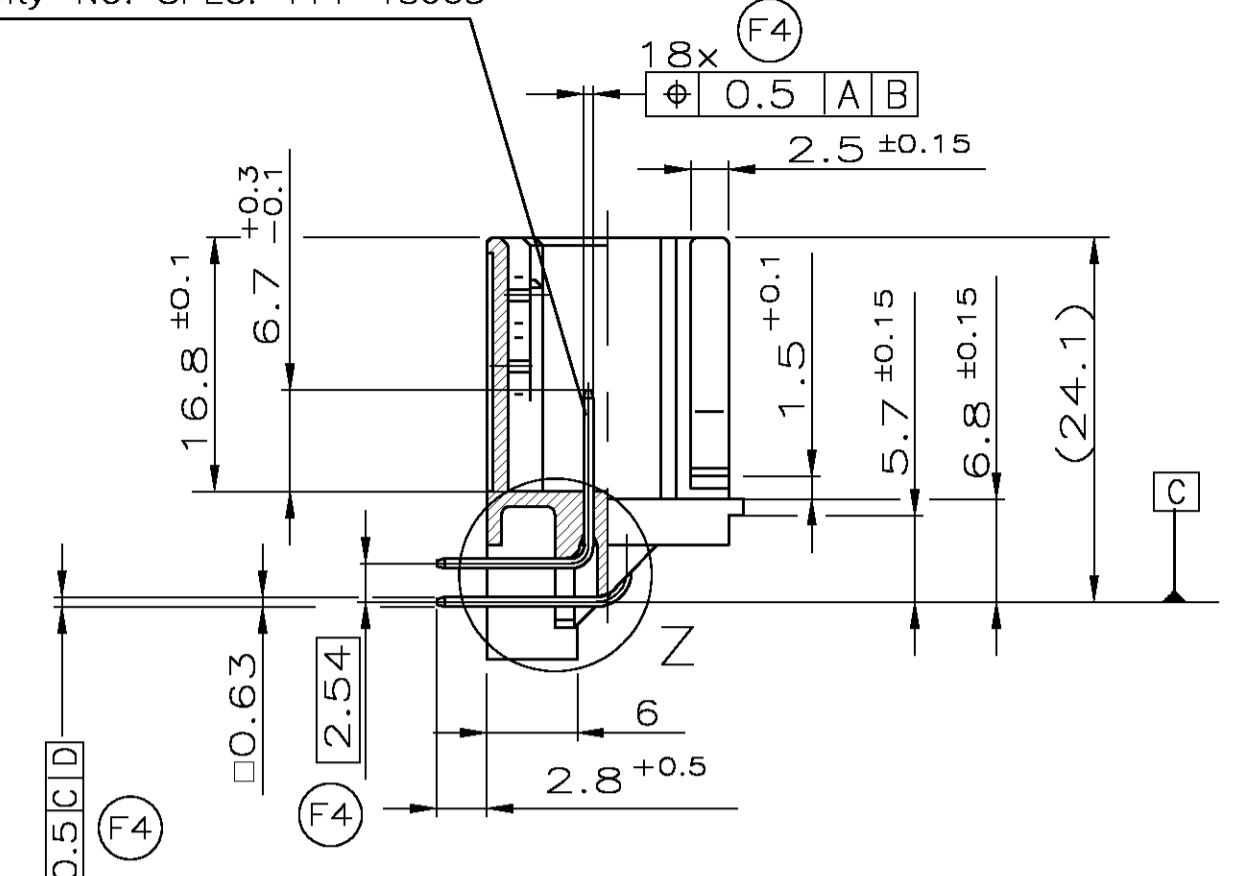
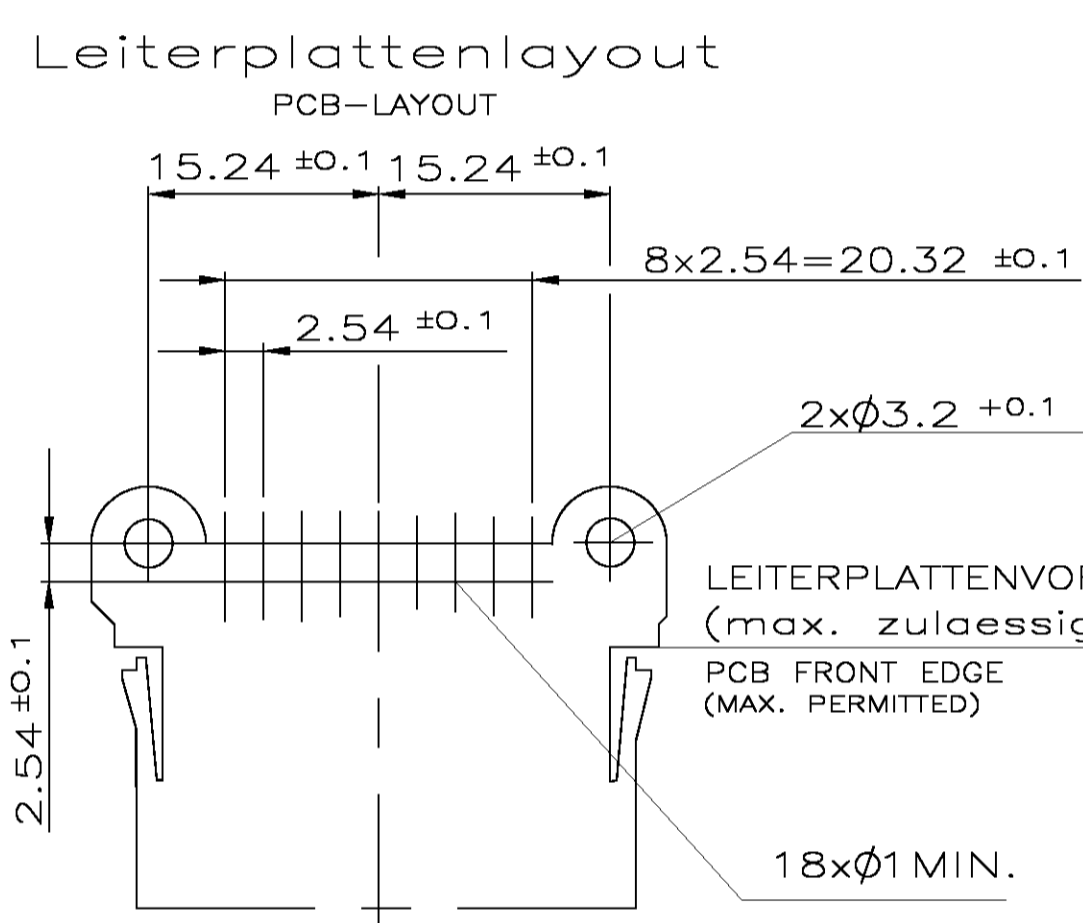


LOC	DIST	REV	DESCRIPTION	DATE	OWN	APPROV
A1	-	F3	REVISED PER ECO-11-005150	21MAR11	RK	HMR
		F4	ECR-11-023925	24NOV11	Sche	TS

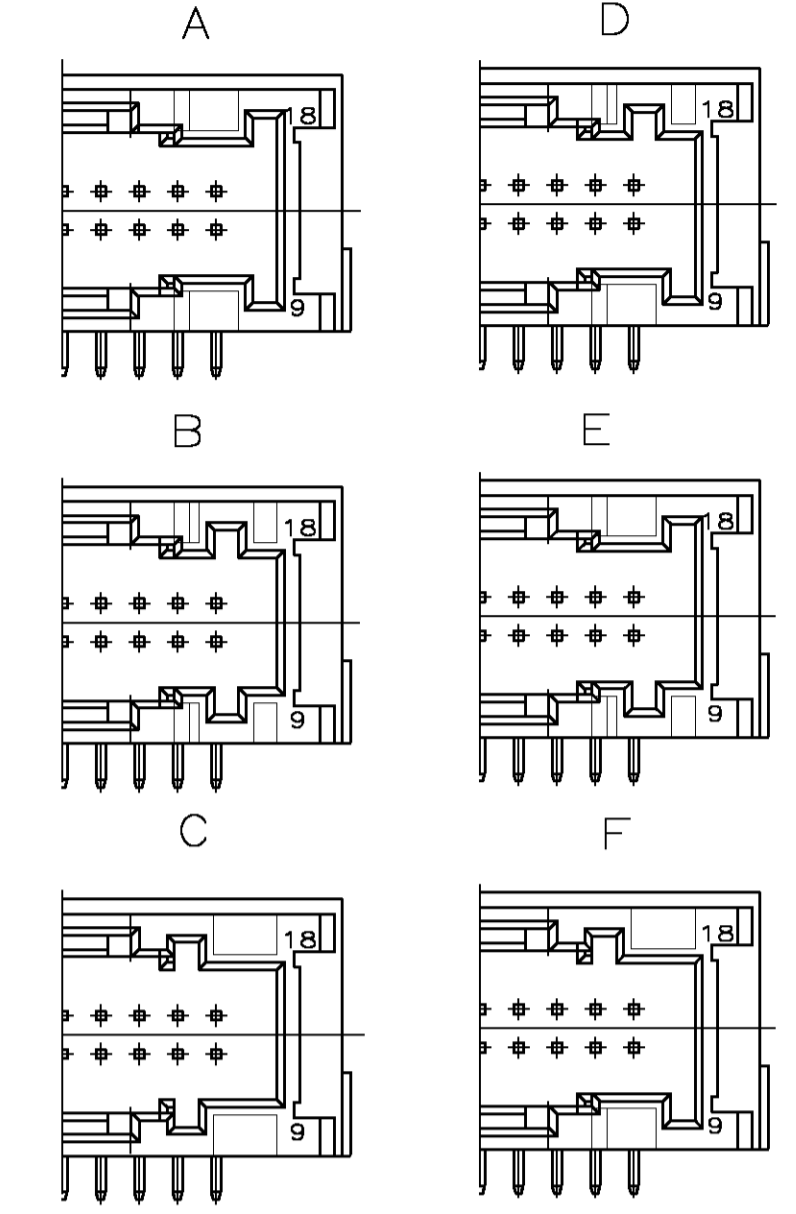
Material: CuFe 2
 Oberfläche TE connectivity-Nr. Spez. 114-18063
 SURFACE TE connectivity-NO. SPEC. 114-18063



Befestigungsbohrung
 MOUNTING HOLE
 Für "AVDEL"-NIET 1110-4004 und 1110-4074
 FOR AVDEL-RIVET.....AND.....



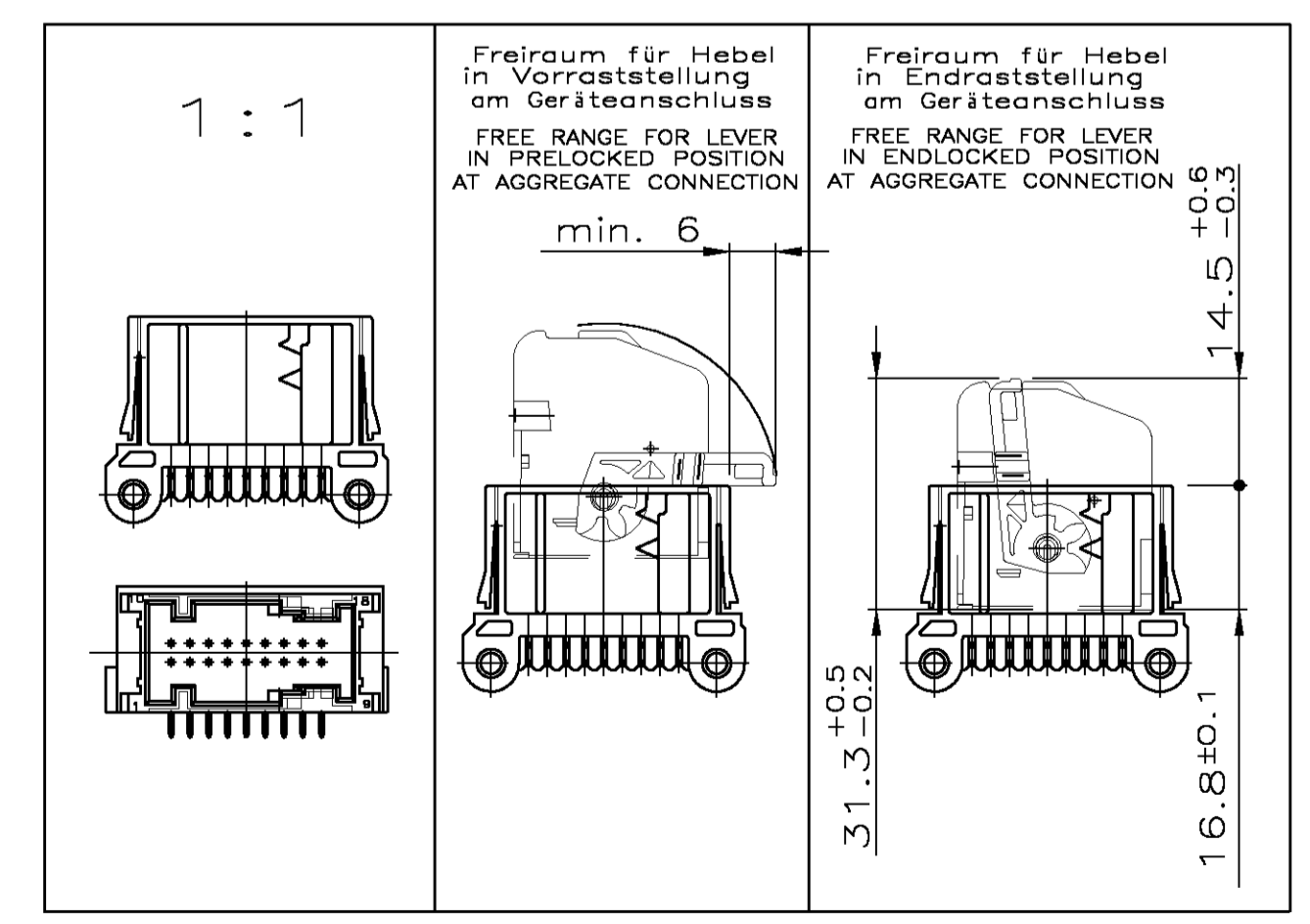
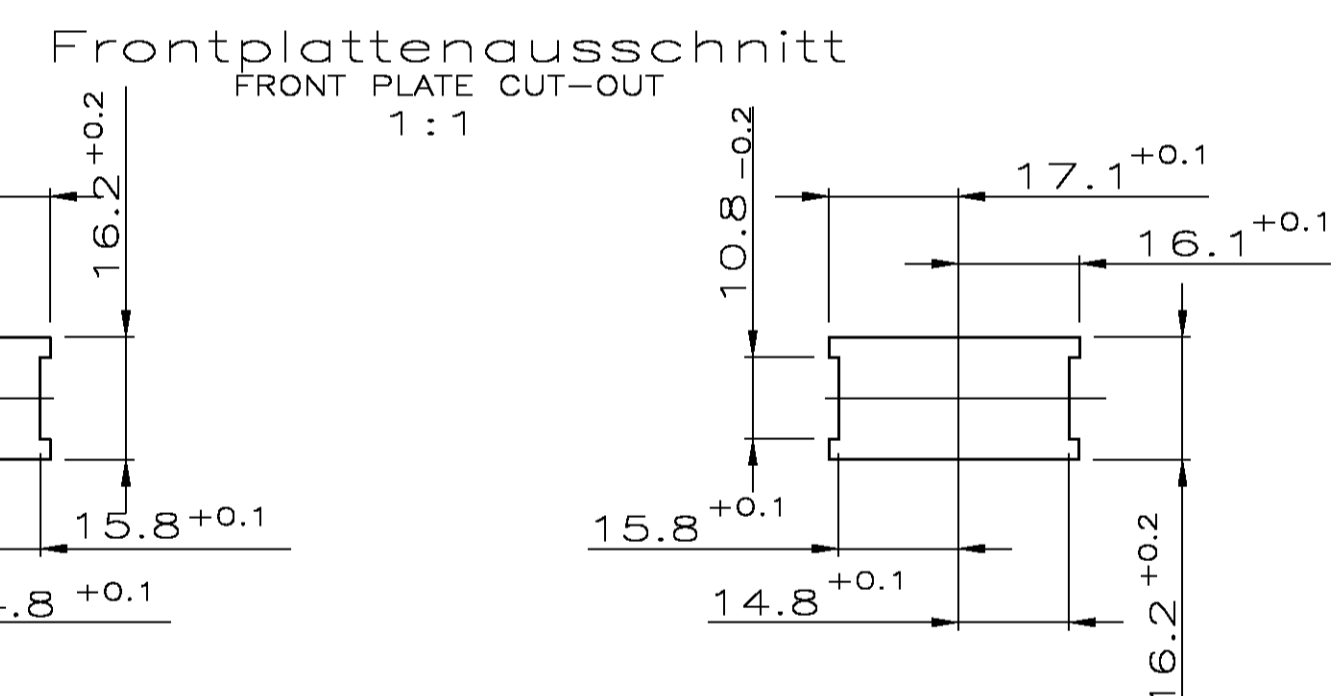
Kodierungen
 (nur Kabelabgang links dargestellt)
 CODING
 (CABLE DIRECTION LEFT SHOWN)



Bemerkungen
 NOTES

- Produkt darf nur mit Zustimmung von BMW geändert werden
 PRODUCT SHALL BE CHANGED WITH THE AGREEMENT OF BMW ONLY
- Produktspezifikation: 108-18214
 PRODUCTSPECIFICATION:
- 1-963539-1 gezeichnet
 AS SHOWN
- Nur der deutsche Text ist bindend
 ONLY THE GERMAN-LANGUAGE VERSION SHALL BE BINDING
- Ausdrueckkraft >= 25N
 Lotbarkeit gemäss DIN IEC 68 Teil 2-20, Alterung 3
 PRESS OUT FORCE >25N
 SOLDERABILITY ACCORDING TO DIN IEC 68 Teil 2-20, AGEING 3
- Oberfläche nach Spez.-Nr. 114-18063
 Steckseite: vergoldet / Lotseite: verzinkt
 SURFACE ACCORDING SPEC.-NO. 114-18063
 SOLDER SIDE: TIN / MATING SIDE: GOLD
- Verpackungsversion von TE CONNECTIVITY-Nr. 1-963539-2
 in ESD-Tray
 PACKAGING VERSION FROM TE CONNECTIVITY-NO. 1-963539-2 IN ESD-TRAY

ART GRAMM KIND	GRAMM GEWICHT	PASSEND ZU: SUITABLE FOR:	DAZU GEGEHRT: USED WITH:	DAZU GEGEHRT: USED WITH:							
-	-	Zinn/TIN braun/BROWN	-	-							
-	-	Zinn/TIN gruen/GREEN	-	-							
-	-	Zinn/TIN gelb/YELLOW	-	-							
-	-	Zinn/TIN blau/BLUE	-	-							
1-963539-3	A	A0C-F	Stiftkontakt/PIN CONTACT	Gold/GOLD, Zinn/TIN							
1-963539-5	A	A0C-F	Stiftwanne/PIN HEADER	schwarz/BLACK							
1-963539-2	F	A0C-F	Stiftkontakt/PIN CONTACT	Zinn/TIN							
			Stiftwanne/PIN HEADER	schwarz/BLACK							
-	-	B0B-E	-	Gold/GOLD							
-	-	A0C-F	-	natur/NATURAL							
-	-	F0A-F	-	Gold/GOLD							
-	-	F0A-F	-	schwarz/BLACK							
-	-	E0C-E	-	Zinn/TIN							
-	-	E0C-E	-	braun/BROWN							
-	-	D0B-F	-	Zinn/TIN							
-	-	D0B-F	-	gruen/GREEN							
-	-	C0A-D	-	Zinn/TIN							
-	-	C0A-D	-	gelb/YELLOW							
-	-	B0B-E	-	Zinn/TIN							
-	-	B0B-E	-	blau/BLAU							
-	-	B0B-E	-	Zinn/TIN							
-	-	B0B-E	-	natur/NATURAL							
1-963539-1	F	A0C-F	Stiftkontakt/PIN CONTACT	Zinn/TIN							
			Stiftwanne/PIN HEADER	schwarz/BLACK							
BESTELL-NR ORDER NO.	REV. COD.	KOD. COD.	POS. QTY.	STK. QTY.	BENENNUNG DESCRIPTION	OBERFLAECHE FARBE SURFACE/COLOUR	ART GRAMM KIND	GRAMM GEWICHT	PASSEND ZU: SUITABLE FOR:	DAZU GEGEHRT: USED WITH:	DAZU GEGEHRT: USED WITH:
									TE CONNECTIVITY	TE CONNECTIVITY	TE CONNECTIVITY



THIS DRAWING IS A CONTROLLED DOCUMENT. DIESE ZEICHNUNG IST EIN KONTROLLIERTES DOKUMENT.		DIN C.Beuf 060CT1994	TE Connectivity	
DIMENSIONS: HASSENHEITEN: mm		TOLERANCES UNLESS OTHERWISE SPECIFIED: ALL DIMENSIONS 0. PLG ± 0.1 1. PLG ± 0.1 2. PLG ± 0.1 3. PLG ± 0.1 4. PLG ± 0.1	APPROVED J.Hahn 060CT1994	
MATERIAL		FINISH/OBERFLAECHE/FARBE	SIZE A1	SCALE 2:1
BESTELL-NR ORDER NO.		REV. COD.	KOD. COD.	POS. QTY.
1-963539-1		F	A0C-F	2 18
1-963539-2		F	A0C-F	2 18
1-963539-3		A	A0C-F	1 1
1-963539-5		A	A0C-F	1 1
1-963539-1		F	A0C-F	2 18
1-963539-2		F	A0C-F	2 18
1-963539-3		A	A0C-F	1 1
1-963539-5		A	A0C-F	1 1
1-963539-1		F	A0C-F	2 18
1-963539-2		F	A0C-F	2 18
1-963539-3		A	A0C-F	1 1
1-963539-5		A	A0C-F	1 1
1-963539-1		F	A0C-F	2 18
1-963539-2		F	A0C-F	2 18
1-963539-3		A	A0C-F	1 1
1-963539-5		A	A0C-F	1 1
1-963539-1		F	A0C-F	2 18
1-963539-2		F	A0C-F	2 18
1-963539-3		A	A0C-F	1 1
1-963539-5		A	A0C-F	1 1
1-963539-1		F	A0C-F	2 18
1-963539-2		F	A0C-F	2 18
1-963539-3		A	A0C-F	1 1
1-963539-5		A	A0C-F	1 1
1-963539-1		F	A0C-F	2 18
1-963539-2		F	A0C-F	2 18
1-963539-3		A	A0C-F	1 1
1-963539-5		A	A0C-F	1 1
1-963539-1		F	A0C-F	2 18
1-963539-2		F	A0C-F	2 18
1-963539-3		A	A0C-F	1 1
1-963539-5		A	A0C-F	1 1
1-963539-1		F	A0C-F	2 18
1-963539-2		F	A0C-F	2 18
1-963539-3		A	A0C-F	1 1
1-963539-5		A	A0C-F	1 1
1-963539-1		F	A0C-F	2 18
1-963539-2		F	A0C-F	2 18
1-963539-3		A	A0C-F	1 1
1-963539-5		A	A0C-F	1 1
1-963539-1		F	A0C-F	2 18
1-963539-2		F	A0C-F	2 18
1-963539-3		A	A0C-F	1 1
1-963539-5		A	A0C-F	1 1
1-963539-1		F	A0C-F	2 18
1-963539-2		F	A0C-F	2 18
1-963539-3		A	A0C-F	1 1
1-963539-5		A	A0C-F	1 1
1-963539-1		F	A0C-F	2 18
1-963539-2		F	A0C-F	2 18
1-963539-3		A	A0C-F	1 1
1-963539-5		A	A0C-F	1 1
1-963539-1		F	A0C-F	2 18
1-963539-2		F	A0C-F	2 18
1-963539-3		A	A0C-F	1 1
1-963539-5		A	A0C-F	1 1
1-963539-1		F	A0C-F	2 18
1-963539-2		F	A0C-F	2 18
1-963539-3		A	A0C-F	1 1
1-963539-5		A	A0C-F	1 1
1-963539-1		F	A0C-F	2 18
1-963539-2		F	A0C-F	2 18
1-963539-3		A	A0C-F	1 1
1-963539-5		A	A0C-F	1 1
1-963539-1		F	A0C-F	2 18
1-963539-2		F	A0C-F	2 18
1-963539-3		A	A0C-F	1 1
1-963539-5		A	A0C-F	1 1
1-963539-1		F	A0C-F	2 18
1-963539-2		F	A0C-F	2 18
1-963539-3		A	A0C-F	1 1
1-963539-5		A	A0C-F	1 1
1-963539-1		F	A0C-F	2 18
1-963539-2		F	A0C-F	2 18
1-963539-3		A	A0C-F	1 1
1-963539-5		A	A0C-F	1 1
1-963539-1		F	A0C-F	2 18
1-963539-2		F	A0C-F	2 18
1-963539-3		A	A0C-F	1 1
1-963539-5		A	A0C-F	1 1
1-963539-1		F	A0C-F	2 18
1-963539-2		F	A0C-F	2 18
1-963539-3		A	A0C-F	1 1
1-963539-5		A	A0C-F	1 1
1-963539-1		F	A0C-F	2 18
1-963539-2		F	A0C-F	2 18
1-963539-3		A	A0C-F	1 1
1-963539-5		A	A0C-F	1 1
1-963539-1		F	A0C-F	2 18
1-963539-2		F	A0C-F	2 18
1-963539-3		A	A0C-F	1 1
1-963539-5		A	A0C-F	1 1
1-963539-1		F	A0C-F	2 18
1-963539-2		F	A0C-F	2 18
1-963539-3		A	A0C-F	1 1
1-963539-5		A	A0C-F	1 1
1-963539-1		F	A0C-F	2 18
1-963539-2		F	A0C-F	2 18
1-963539-3		A	A0C-F	1 1
1-963539-5		A	A0C-F	1 1
1-963539-1		F	A0C-F	2 18
1-963539-2		F	A0C-F	2 18
1-963539-3		A	A0C-F	1 1
1-963539-5		A	A0C-F	1 1
1-963539-1		F	A0C-F	2 18
1-963539-2		F	A0C-F	2 18
1-963539-3		A	A0C-F	1 1
1-963539-5		A	A0C-F	1 1
1-963539-1		F	A0C-F	2 18
1-963539-2		F	A0C-F	2 18
1-963539-3		A	A0C-F	1 1
1-963539-5		A	A0C-F	1 1
1-963539-1		F	A0C-F	2 18
1-963539-2		F	A0C-F	2 18
1-963539-3		A	A0C-F	1 1
1-963539-5		A	A0C-F	1 1
1-963539-1		F	A0C-F	2 18
1-963539-2		F	A0C-F	2 18
1-963539-3		A	A0C-F	1 1
1-963539-5		A	A0C-F	1 1
1-963539-1		F	A0C-F	2 18
1-963539-2		F	A0C-F	2 18
1-963539-3		A	A0C-F	1 1
1-963539-5		A	A0C-F	1 1
1-963539-1		F	A0C-F	2 18
1-963539-2		F	A0C-F	2 18
1-963539-3		A	A0C-F	1 1
1-963539-5		A	A0C-F	1 1
1-963539-1		F	A0C-F	2 18
1-963539-2		F	A0C-F	2 18
1-963539-3		A	A0C-F	1 1
1-963539-5		A	A0C-F	1 1
1-963539-1		F	A0C-F	2 18
1-963539-2		F	A0C-F	2 18
1-963539-3		A	A0C-F	1 1
1-963539-5		A	A0C-F	1 1
1-963539-1		F	A0C-F	2 18
1-963539-2		F	A0C-F	2 18
1-963539-3		A	A0C-F	1 1
1-963539-5		A	A0C-F	1 1
1-963539-1		F	A0C-F	2 18
1-963539-2		F	A0C-F	2 18
1-963539-3		A	A0C-F	1 1
1-963539-5		A	A0C-F	1 1
1-963539-1		F	A0C-F	2 18
1-963539-2		F	A0C-F	2 18
1-963539-3		A	A0C-F	1 1
1-963539-5		A	A0C-F	1 1
1-963539-1		F	A0C-F	2 18
1-963539-2		F	A0C-F	2 18
1-963539-3		A	A0C-F	1 1
1-963539-5		A	A0C-F	1 1
1-963539-1		F	A0C-F	2 18
1-963539-2		F	A0C-F	2 18
1-963539-3		A	A0C-F	1 1
1-963539-5		A	A0C-F	1 1
1-963539-1		F	A0C-F	2 18
1-963539-2		F	A0C-F	2 18
1-963539-3		A	A0C-F	1 1
1-963539-5		A	A0C-F	1 1
1-963539-1		F	A0C-F	2 18
1-963539-2		F	A0C-F	2 18
1-963539-3		A	A0C-F	1 1
1-963539-5		A	A0C-F	1 1
1-963539-1		F	A0C-F	2 18
1-963539-2		F	A0C-F	2 18
1-963539-3		A	A0C-F	1 1
1-963539-5		A	A0C-F	1 1
1-963539-1		F	A0C-F	2 18
1-963539-2		F	A0C-F	2 18
1-963539-3		A	A0C-F	1 1
1-963539-				

单击下面可查看定价，库存，交付和生命周期等信息

[>>TE Connectivity\(泰科\)](#)