



CODE 76 - TINEL-LOCK BACKSHELL

TXR76AB00-1608AI

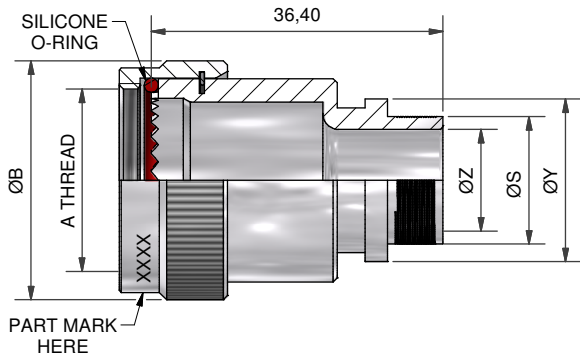
SERIES _____
 TXR: RING INCLUDED
 (SEE RING OPTION)
 TX: RING NOT INCLUDED
 CONNECTOR INTERFACE _____
 MATERIAL _____
 REFER TO CH00-0250-008
 FINISH _____
 REFER TO CH00-0250-008
 ANGLE _____
 ORDER NUMBER (TABLE 1) _____
 ENTRY SIZE (TABLE 2) _____
 RING OPTION _____
 AI - TO SUIT SINGLE BRAID
 BI - TO SUIT DOUBLE BRAID
 FOR TX, LEAVE BLANK
 MODIFICATION CODE _____
 REFER TO CH00-0250-008 (2)

NOTES:

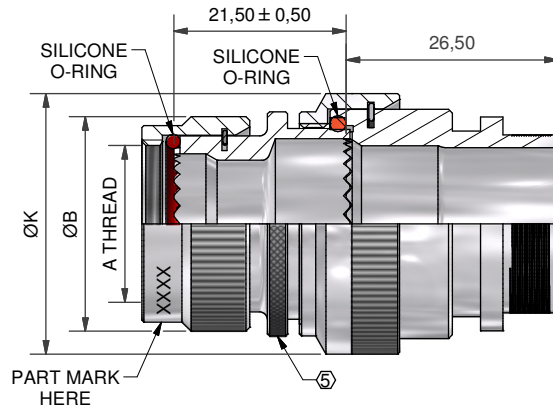
1. THIS PRODUCT IS DESIGNED TO TERMINATE A BRAIDED CABLE SHIELD AND A HEAT SHRINKABLE LIPPED BOOT TO A CONNECTOR.
- (2) FOR ADDITIONAL DIMENSIONS, ORDERING INFORMATION AND MODIFICATIONS, SEE CH00-0250-008.
- (3) SEE DRAWING TR FOR DETAIL ON TINEL-LOCK RING, RINGS ARE DESIGNED TO BE HEATED ELECTRICALLY, ALL RINGS ARE MARKED WITH THERMOCHROMIC PAINT WHICH CHANGES COLOUR WHEN INSTALLATION TEMPERATURE IS REACHED.
4. BACKSHELL TO BE PERMANENTLY MARKED/BAGGED AND LABELLED WITH CODE IDENTIFICATION NUMBER AND PART NUMBER LESS RING DESIGNATOR. (e.g. 06090-TXR76AB00-1206). RING SHALL BEAR NO MARKING.
- (5) FOR LARGER ENTRY SIZES, A 2 PIECE BACKSHELL ASSEMBLY (TYPE 2) IS SUPPLIED.
- (6) BACKSHELL MATES WITH BS 9522. N0001 PATT 603, BSS 9522, F0017 PATT 105

DRAWN	K.WINCZURA	DATE	05/12/2014	 3RD ANGLE PROJECTION NOT TO SCALE UNLESS OTHERWISE SPECIFIED ALL DIMENSIONS IN MILLIMETRES GENERAL TOL LINEAR +/-0.25MM ANGULAR +/- 1°	TITLE:	 TINEL LOCK BACKSHELL		
CHECKED		DATE	05/12/2014		ASSY USED ON:			
APPROVED	K.SHEPPARD	DATE	15/12/2014					
APPROVED	H.SMITH	DATE	01/10/2015					
REVISIONS								
LTR	DESCRIPTION	DATE	APPROVED					
E	REVISED PER ECO-15-002399	18/02/2015						
F	REVISED PER ECO-15-013980	01/10/2015	H.SMITH					
TE CAGE CODE: 06090 POLAMCO/TE CAGE CODE: U5792					TE CONNECTIVITY - POLAMCO LTD RESERVES THE RIGHT TO AMEND THIS DRAWING AND THERE SHOULD BE IN THEIR APPLICATION.	DRAWING NO: TXR76	DRAWING REV: F	SHT 1

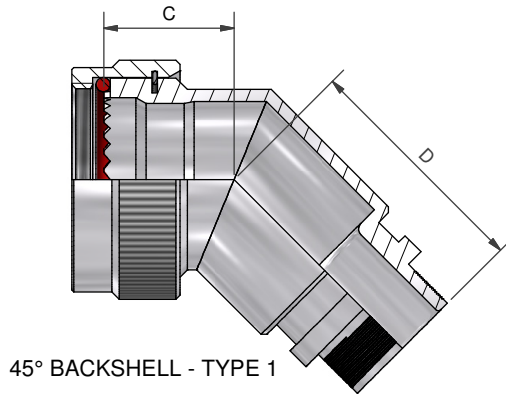
IF MAX ENTRY IS EXCEEDED BACKSHELL WILL BE SUPPLIED AS TYPE 2



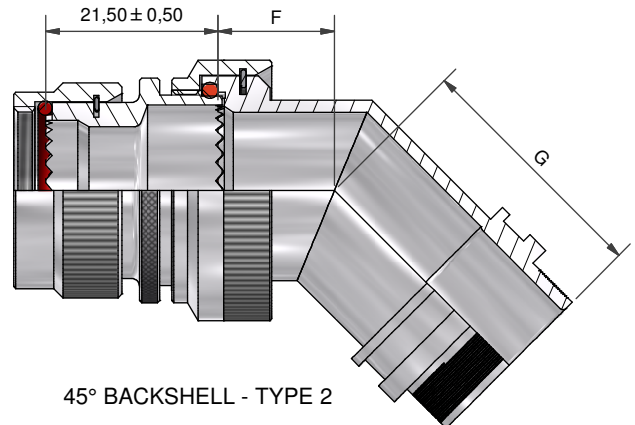
STRAIGHT BACKSHELL - TYPE 1



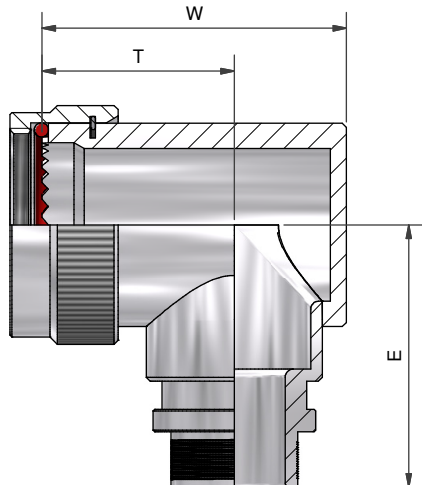
STRAIGHT BACKSHELL - TYPE 2



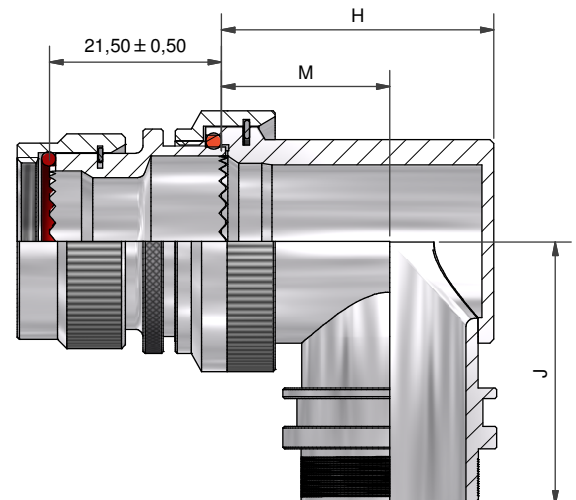
45° BACKSHELL - TYPE 1



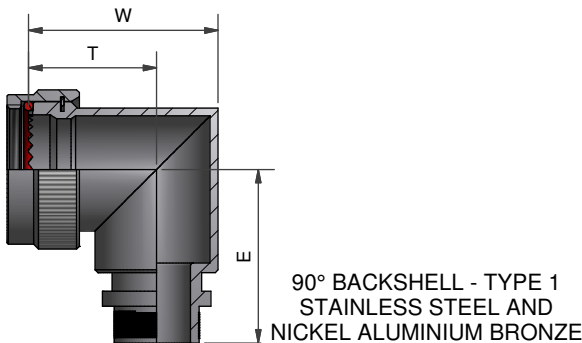
45° BACKSHELL - TYPE 2



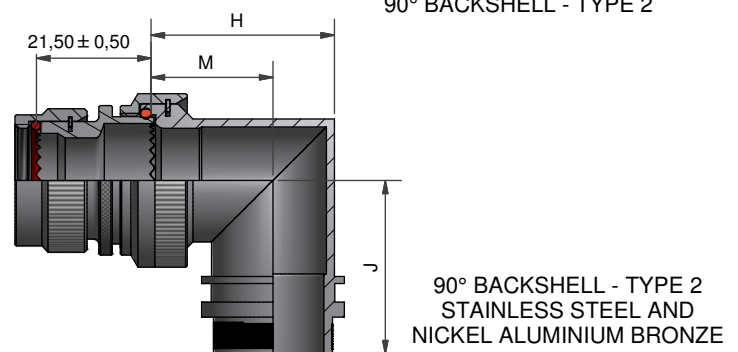
90° BACKSHELL - TYPE 1



90° BACKSHELL - TYPE 2



90° BACKSHELL - TYPE 1
STAINLESS STEEL AND
NICKEL ALUMINIUM BRONZE



90° BACKSHELL - TYPE 2
STAINLESS STEEL AND
NICKEL ALUMINIUM BRONZE

DRAWN	K.WINCZURA	DATE	05/12/2014
CHECKED		DATE	05/12/2014
APPROVED	K.SHEPPARD	DATE	15/12/2014
APPROVED	H.SMITH	DATE	01/10/2015
REVISIONS			
LTR	DESCRIPTION	DATE	APPROVED
E	REVISED PER ECO-15-002399	18/02/2015	
F	REVISED PER ECO-15-013980	01/10/2015	H.SMITH



3RD ANGLE
PROJECTION
NOT TO
SCALE

UNLESS OTHERWISE SPECIFIED
ALL DIMENSIONS IN MILLIMETRES
GENERAL TOL
LINEAR +/-0.25MM
ANGULAR +/- 1°

TITLE:

TINEL LOCK BACKSHELL

ASSY USED ON:

BS9522 PATT 105 / PATT 603

TE CONNECTIVITY - POLAMCO LTD RESERVES THE RIGHT TO AMEND THIS DRAWING
AND TO INDEP Downloaded From Oneyac.com SHOULD
IR THEIR APPLICATION.

DRAWING NO:
TXR76

DRAWING REV:
F

SHT
2

TE CAGE CODE: 06090
POLAMCO/TE CAGE CODE: U5792



Polamco

TE
connectivity

THESE DIMENSIONS APPLY IF
BACKSHELL IS STAINLESS STEEL
OR NICKEL ALUMINIUM BRONZE

TABLE 1

ORDER NUMBER	SHELL SIZE (6)	A THREAD	ØB MAX	MAX ENTRY	C ±0,5	D ±0,5	W ±0,5	T ±0,5	E ±0,5	W ±0,5	T ±0,5	E ±0,5
08	8	7/16-28UNEF	17,3	04	13,90	26,8	25,0	17,5	26,20	22,4	17,5	26,4
10	10	9/16-24UNEF	20,3	06	14,40	27,5	28,0	18,6	27,95	24,8	18,6	28,2
12	12	11/16-24UNEF	23,8	08	15,20	28,0	31,5	20,5	29,45	29,5	20,5	29,7
14	14	13/16-20UNEF	26,8	10	16,04	29,0	35,0	22,5	31,00	32,6	22,5	31,2
16	16	15/16-20UNEF	29,8	12	16,29	29,7	38,0	24,0	32,70	35,4	24,0	32,9
18	18	1 1/16-18UNEF	33,3	14	17,34	30,5	41,5	26,0	34,25	39,2	26,0	34,5
20	20	1 3/16-18UNEF	36,3	16	17,68	30,9	45,0	28,0	35,80	42,6	28,0	36,1
22	22	1 5/16-18UNEF	39,8	18	18,02	31,1	48,0	29,5	37,40	45,8	29,5	37,6
24	24	1 7/16-18UNEF	42,8	18	19,17	32,1	51,0	31,0	38,90	48,3	31,0	39,1

THESE DIMENSIONS APPLY IF
BACKSHELL IS STAINLESS STEEL
OR NICKEL ALUMINIUM BRONZE

TABLE 2

ENTRY SIZE	ØZ MIN	ØS	ØY ± 0,3	ØK MAX	F ±0,5	G ±0,5	H ±0,5	M ±0,5	J ±0,5	H ±0,5	M ±0,5	J ±0,5
04	6,35	9,49 +/-0,04	14,00	NA	NA	NA	NA	NA	NA	NA	NA	NA
05	7,92	11,06 +/-0,04	15,50	21,0	12,5	27,5	24,0	15,5	27,95	24,3	17,2	28,2
06	9,53	12,66 +/-0,04	17,10	21,0	12,5	27,5	24,0	15,5	27,95	24,3	17,2	28,2
07	11,10	14,21 +/-0,07	18,70	21,0	12,5	27,5	24,0	15,5	27,95	24,3	17,2	28,2
08	12,70	15,81 +/-0,07	20,30	24,5	13,1	28,0	27,0	17,0	29,45	28,3	19,4	29,7
10	15,88	18,96 +/-0,08	23,50	29,0	13,5	29,0	31,0	19,5	31,00	31,1	21,0	31,2
12	19,05	22,14 +/-0,08	26,70	32,5	14,5	29,7	34,0	21,0	32,70	34,2	22,8	32,9
14	22,23	25,30 +/-0,08	29,80	35,5	15,5	30,5	35,0	20,0	34,25	38,5	25,3	34,5
16	25,40	28,48 +/-0,08	33,00	37,0	16,1	30,9	38,0	21,5	35,80	40,7	26,1	36,1
18	28,58	31,65 +/-0,08	36,20	40,0	16,5	31,1	42,0	24,0	37,40	43,7	27,6	37,6
20	31,75	34,83 +/-0,08	39,40	43,5	17,0	32,1	45,0	25,5	38,90	46,4	29,1	39,1
22	34,93	37,98 +/-0,08	42,50	48,5	18,5	35,3	54,5	31,0	42,00	50,0	31,0	42,0
24	38,10	41,15 +/-0,08	45,70	52,1	21,9	38,1	58,0	33,0	46,00	53,5	33,0	46,0

DRAWN	K.WINCZURA	DATE	05/12/2014	 3RD ANGLE PROJECTION NOT TO SCALE
CHECKED		DATE	05/12/2014	
APPROVED	K.SHEPPARD	DATE	15/12/2014	
APPROVED	H.SMITH	DATE	01/10/2015	
REVISIONS				
LTR	DESCRIPTION	DATE	APPROVED	
E	REVISED PER ECO-15-002399	18/02/2015		
F	REVISED PER ECO-15-013980	01/10/2015	H.SMITH	

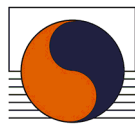


TITLE:

TINEL LOCK BACKSHELL

ASSY USED ON:

BS9522 PATT 105 / PATT 603



TE CAGE CODE: 06090
POLAMCO/TE CAGE CODE: U5792

TE CONNECTIVITY - POLAMCO LTD RESERVES THE RIGHT TO AMEND THIS DRAWING AND THEREFORE THE USER SHOULD CHECK THEIR APPLICATION.
Downloaded From Oneyac.com

DRAWING NO:
TXR76

DRAWING REV:
F

SHT
3

单击下面可查看定价，库存，交付和生命周期等信息

[>>TE Connectivity\(泰科\)](#)