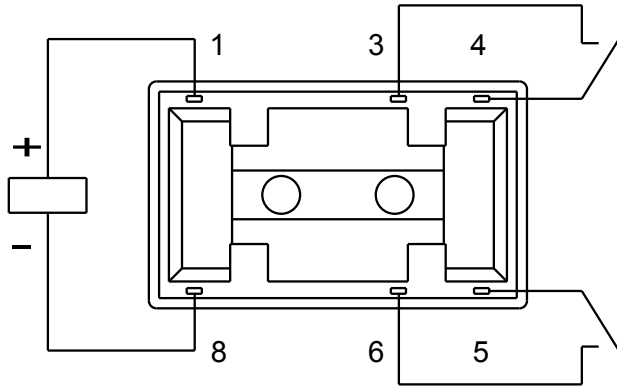
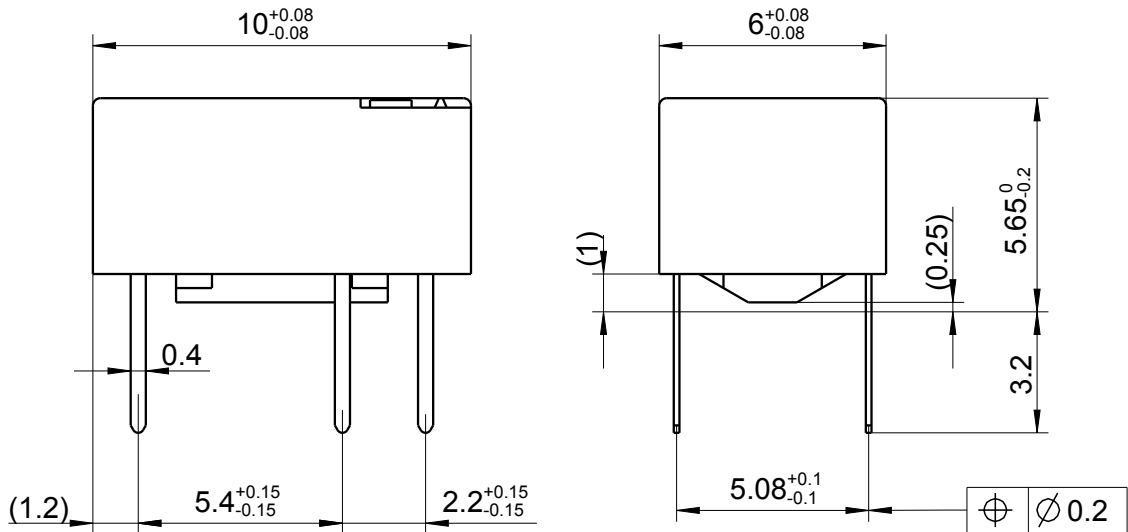


LOC	DIST	REVISIONS					
		P	LTR	DESCRIPTION	DATE	DWN	APVD
HJ	-		A2	REVISED PER ECO-11-005150	25MAR2011	UKo	AK
			A3	REVISED PER ECR-13-014508 (TE-Logo)	16SEP2013	UKo	AK



Relay - bottom view



XX = Relay type
 zz = nominal voltage
 YYWW = Date code

THIS DRAWING IS UNPUBLISHED. ALL RIGHTS RESERVED. © COPYRIGHT 2008

DIMENSIONS: mm	DWN UKo 9193	07AUG2008	MATERIAL	-	FINISH	-
	CHK HD 9121	07AUG2008	TE Connectivity			
TOLERANCES UNLESS OTHERWISE SPECIFIED: DIN 7168-m	APVD HD 9121	07AUG2008				
0 PLC ±	PRODUCT SPEC	-	NAME			IME-Relay THT (2 Form A)
1 PLC ±	APPLICATION SPEC	-	Dimensions			
2 PLC ±	WEIGHT	-	SIZE	CAGE CODE	DRAWING NO	RESTRICTED TO
3 PLC ±			A4	00779	C-1462043-1	-
4 PLC ±			CUSTOMER DRAWING			SCALE
ANGLES ±						5:1
						SHEET
						1 OF 1
						REV
						A3

单击下面可查看定价，库存，交付和生命周期等信息

[>>TE Connectivity\(泰科\)](#)