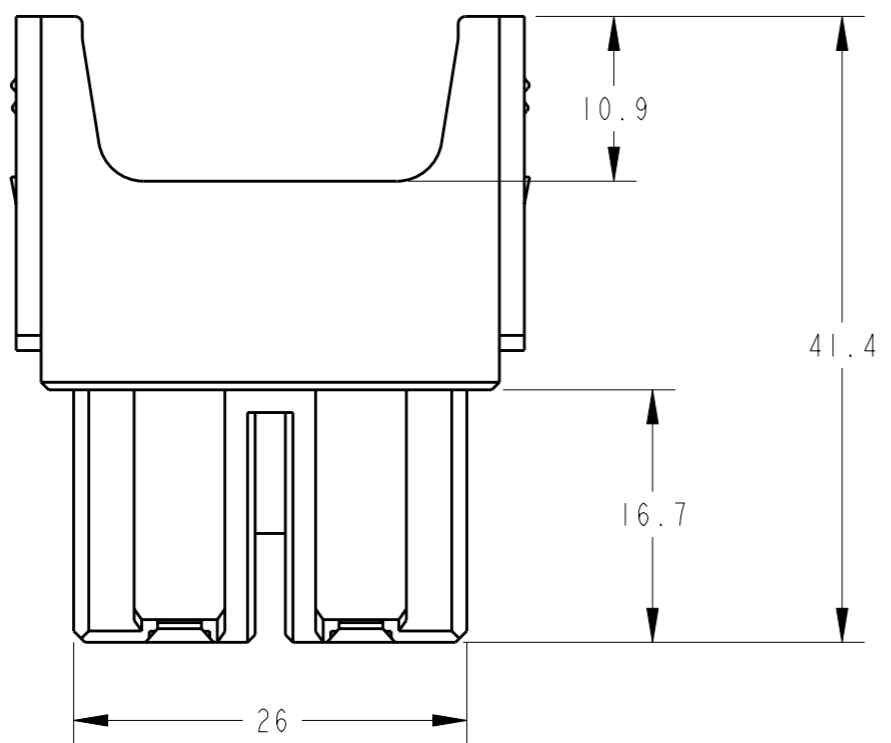
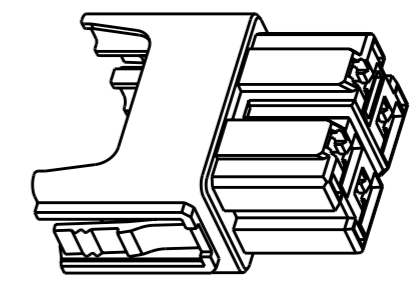


THIS DRAWING IS UNPUBLISHED. RELEASED FOR PUBLICATION 20
 © COPYRIGHT 20 BY TYCO ELECTRONICS CORPORATION. ALL RIGHTS RESERVED.

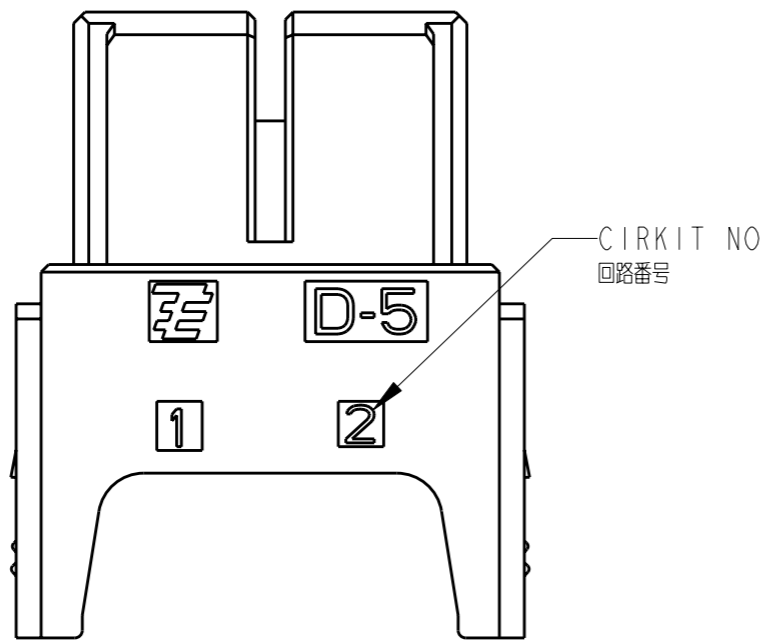
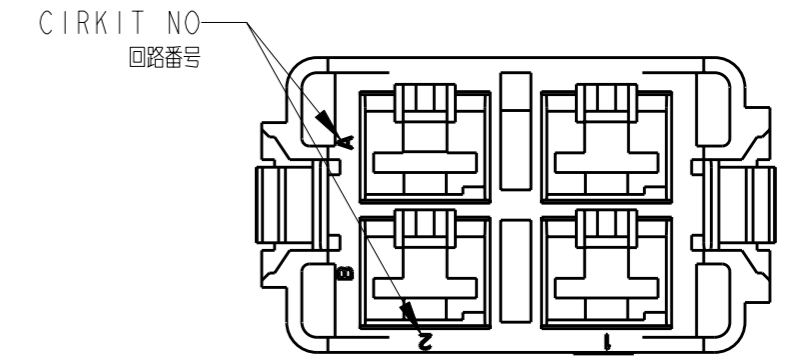
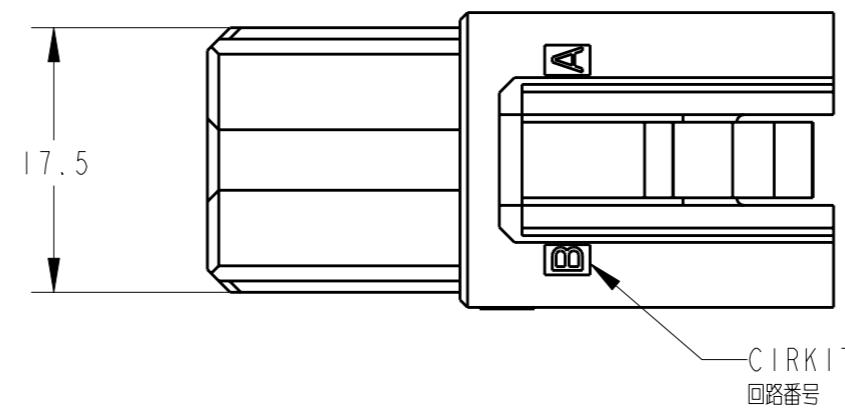
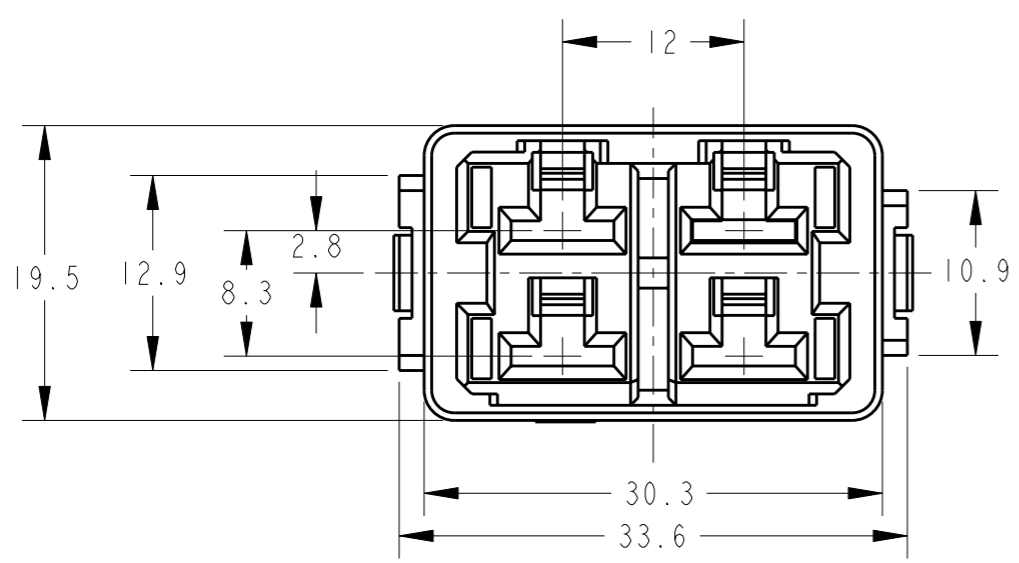
LOC	DIST	REVISIONS					
		P	LTR	DESCRIPTION	DATE	DWN	APVD
J	-		B	REVISED PER ECR-10-013235	09JUL2010	HMR	TM



1871418-1:AS SHOWN



スケール 1:1



注記

- 材料：ガラス入り熱可塑性ポリエステル樹脂
色：黒色
- モジュール固定フレーム使用型番
サイズ"3:0-1108784-1
サイズ"4:0-1108783-1,0-1108783-2
サイズ"6:0-1108782-1,0-1108782-2
サイズ"8:0-1108780-1,0-1108780-2

NOTES

- MATERIAL:GLASS FIELD THERMO PLASTIC,POLYESTER
COLOR:BLACK
- MODULE FIXATION FRAME USE P/No
SIZE3:0-1108784-1
SIZE4:0-1108783-1,0-1108783-2
SIZE6:0-1108782-1,0-1108782-2
SIZE8:0-1108780-1,0-1108780-2

THIS DRAWING IS A CONTROLLED DOCUMENT FOR TYCO ELECTRONICS CORPORATION IT IS SUBJECT TO CHANGE AND THE CONTROLLING ENGINEERING ORGANIZATION SHOULD BE CONTACTED FOR THE LATEST REVISION.		DWN T. Sakamoto 23JUN2006	Tyco Electronics Tyco Electronics AMP K.K. Kawasaki, Japan	
DIMENSIONS: 単位: 耗 mm		CHK D. Mitsugi 23JUN2006	NAME 名称	
TOLERANCES UNLESS OTHERWISE SPECIFIED: 一般公差 0 PLC ± 1 PLC ±0.35 2 PLC ± 3 PLC ±3° 4 PLC ± ANGLES ±		APVD D. Mitsugi 23JUN2006	REC HSG 4P DYNAMIC D-5800SERIES WITH HTS CONNECTOR	
MATERIAL 材料 注記参照 SEE NOTES		PRODUCT SPEC 製品規格 108-78389	SIZE A3	RESTRICTED TO
		APPLICATION SPEC 取付適用規格 114-5206	CAGE CODE 00779	REV B
		FINISH 仕上 -	DRAWING NO C=1871418	
		WEIGHT -	SCALE 尺度 2:1	
		CUSTOMER DRAWING	SHEET 1 OF 1	

单击下面可查看定价，库存，交付和生命周期等信息

[>>TE Connectivity\(泰科\)](#)