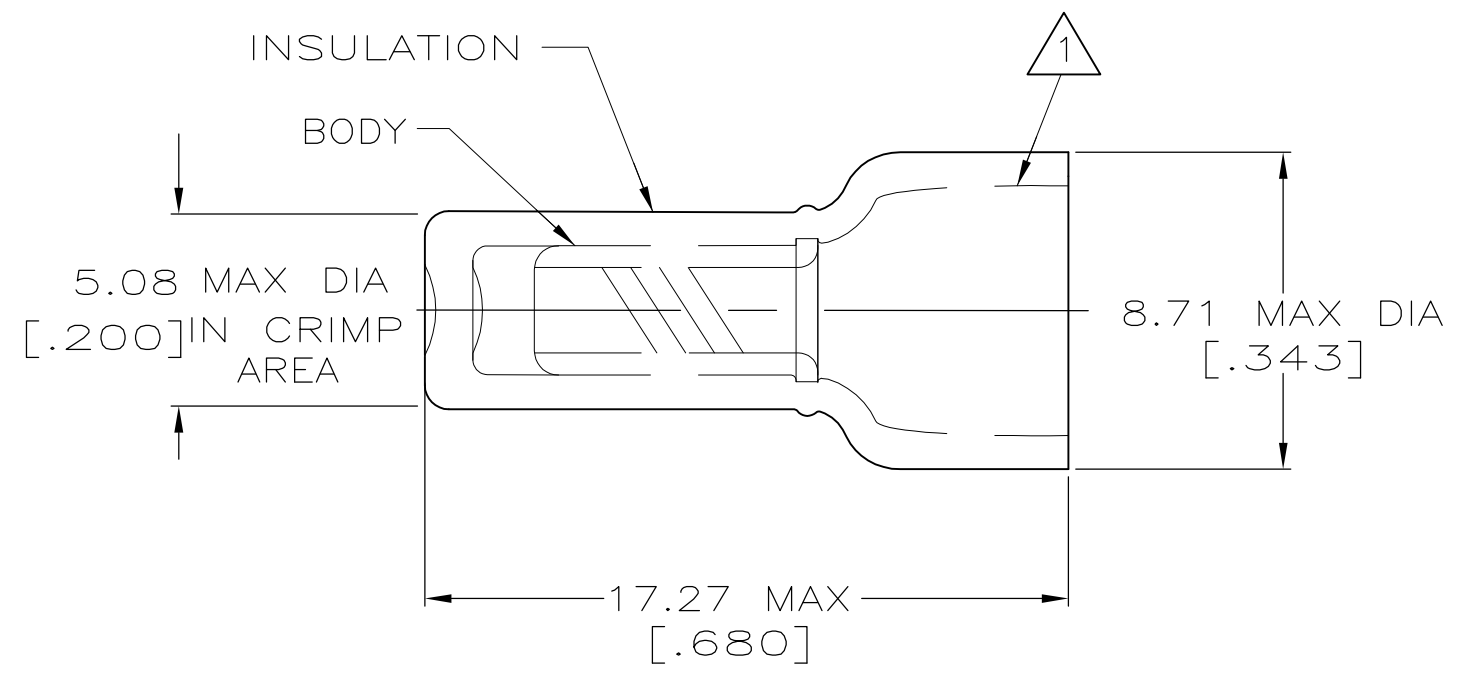
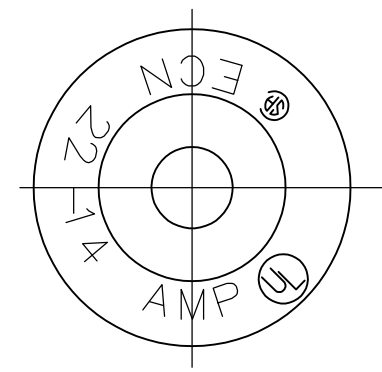


THIS DRAWING IS UNPUBLISHED. RELEASED FOR PUBLICATION
 © COPYRIGHT - By - ALL RIGHTS RESERVED.

LOC	DIST	REVISIONS					
		P	LTR	DESCRIPTION	DATE	DWN	APVD
G	14		AJ1	REVISED PER ECO-11-004820	11MAR11	RK	HMR

AMP WIRE RANGE	Listed FILE E13288	LR7189 Certified
22-14 AWG SOLID OR STRANDED	22-14 AWG SOLID OR STRANDED	22-14 AWG SOLID OR STRANDED



- △1 FOR 6.35 [.250] MAX WIRE INSULATION DIA
- △2 SUPERSEDED BY 35115
- △3 SUPERSEDED BY 8-35115-5
- △4 MATERIAL, BODY, COPPER INSULATION, NYLON
- △5 FINISH, BODY, TIN PLATE ASTM B545 INSULATION, COLOR NATURAL

QTY	DESCRIPTION	PART NO
25	LOOSE PC,BAG	8-35115-5
5	LOOSE PC,BLS	8-35115-4 △3
100	LOOSE PC,BOX	8-35115-1
10000	SPECIAL PKG	1-35115-2 △2
2500	TAPE MOUNTED	1-35115-0
1000	LOOSE PC,BOX	35115

AMP INCORPORATED CUSTOMER SERVICE SYSTEMS		MAX RECOMMENDED OPERATING TEMPERATURE: 105° C MAX	THIS DRAWING IS A CONTROLLED DOCUMENT.		DWN JR RUTH 23MAR04	TE Connectivity					
FOR ADDITIONAL PRODUCT INFORMATION OR COPIES OF DRAWINGS AND TECHNICAL DOCUMENTS	PRODUCT INFORMATION CENTER 1-800-522-6752	VOLTAGE RATING: 300V MAX	DIMENSIONS: INCHES	TOLERANCES UNLESS OTHERWISE SPECIFIED:	CHK T MICHELUTTI 23MAR04	NAME SPLICE, WIRE, CLOSED END					
FOR APPLICATION TOOLING INFORMATION	TOOLING ASSISTANCE CENTER 1-800-722-1111	CIRCULAR MIL AREA: 0.26-2.62mm² [509-5,180] SOLID OR STRANDED		0 PLC ± - 1 PLC ± - 2 PLC ± 0.20[.008] 3 PLC ± - 4 PLC ± - ANGLES ± -	APVD T MICHELUTTI 23MAR04						
FOR ORDER ENTRY	1-800-526-5142	THIS DRAWING IS A CONTROLLED DOCUMENT FOR AMP INCORPORATED. IT IS SUBJECT TO CHANGE AND THE CONTROLLING ENGINEERING ORGANIZATION SHOULD BE CONTACTED FOR THE LATEST REVISION.		MATERIAL - △4	FINISH - △5	PRODUCT SPEC -	APPLICATION SPEC -	SIZE A3	CAGE CODE 00779	DRAWING NO C-35115	RESTRICTED TO -
					CUSTOMER DRAWING		SCALE 2:1	SHEET 1 OF 1	REV AJ1		

单击下面可查看定价，库存，交付和生命周期等信息

[>>TE Connectivity\(泰科\)](#)