

THIS DRAWING IS UNPUBLISHED.

RELEASED FOR PUBLICATION

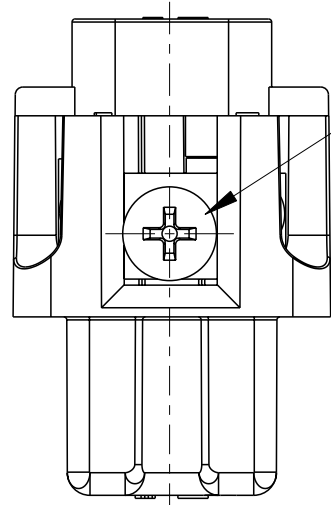
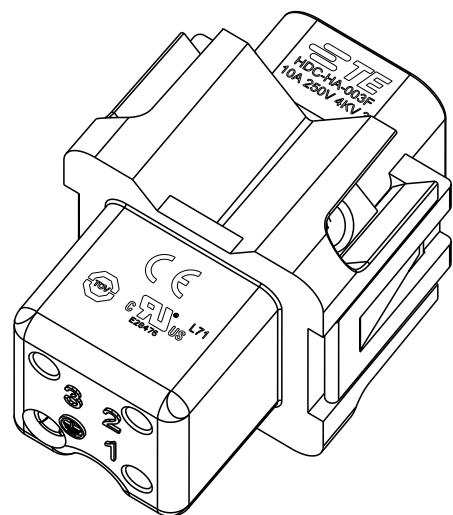
20

© COPYRIGHT 20 BY -

ALL RIGHTS RESERVED.

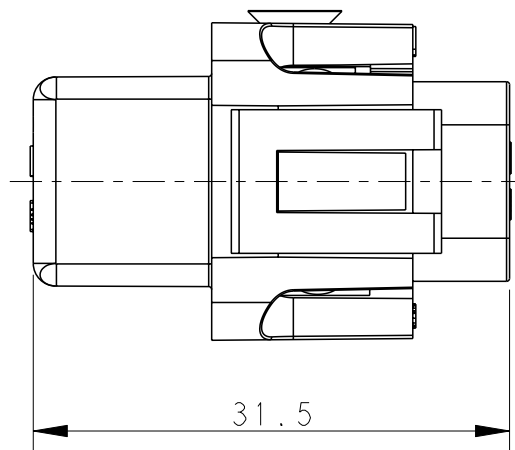
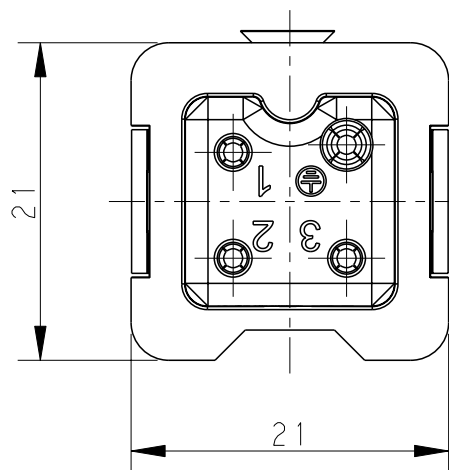
REVISIONS

P	LTR	DESCRIPTION	DATE	DWN	APVD
B		ECR-15-013750	19SEP2015	DW	CW
B1		ECR-15-016224	05NOV2015	DW	CW
B2		ECR-16-017507	12DEC2016	QY	CW
C		ECR-20-016101	09JUN2021	BS	CW



M3 SCREW, RECOMMENDED  
TIGHTENING TORQUE 0.5Nm  
M3 螺丝, 推荐锁紧力矩 0.5Nm

TYPE-1, T2010032201-000, TE LOGO  
类型-1, T2010032201-000, TE LOGO

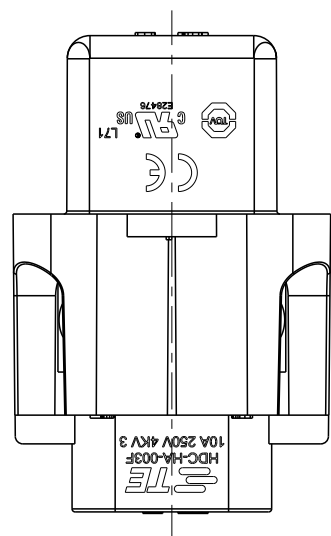


NOTES:

- TECHNICAL CHARACTERISTICS:  
INSULATION MATERIAL: PC  
RATED VOLTAGE: 250 V  
RATED CURRENT: 10 A  
INSULATION RESISTANCE:  $\geq 400M\Omega$   
RATED IMPULSE VOLTAGE: 4 KV  
POLLUTION DEGREE: 3  
FLAMMABILITY: UL94V-0  
MATING CYCLES: 500 CYCLES  
WIRE RANGE: 0.5-2.5 mm<sup>2</sup> (20-14 AWG)  
CONTACT FINISH: SILVER PLATED  
CONTACT TYPE: SCREW CONTACT

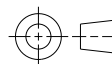
注释:

- 技术参数:  
绝缘材料: PC  
额定电压: 250V  
额定电流: 10A  
绝缘电阻:  $\geq 400M\Omega$   
额定脉冲电压: 4 KV  
污染等级: 3  
阻燃等级: UL94V-0  
插拔次数: 500 次  
接线范围: 0.5-2.5 mm<sup>2</sup> (20-14 AWG)  
端子表面处理: 镀银  
接线类型: 螺丝连接



THIS DRAWING IS A CONTROLLED DOCUMENT.

DIMENSIONS:  
mm



TOLERANCES UNLESS OTHERWISE SPECIFIED:

0 PLC	±-
1 PLC	±-
2 PLC	±-
3 PLC	±-
4 PLC	±-
ANGLES	±-

MATERIAL

FINISH

DWN 16DEC2014

DAVID WANG

CHK 16DEC2014

CHRIS WANG

APVD 16DEC2014

XU XIANG

PRODUCT SPEC

108-137045

APPLICATION SPEC

114-137045

WEIGHT

-

Customer Drawing



TE Connectivity

NAME  
HA-003-F

SIZE	CAGE CODE	DRAWING NO	RESTRICTED TO
------	-----------	------------	---------------

A3	00779	T2010032201000	-
----	-------	----------------	---

SCALE	SHEET	OF	REV
2:1	1	2	C

Printed on 18 Jun 2021 14:54 (China Standard Time) from TE236667

A

A

D

D

C

B

THIS DRAWING IS UNPUBLISHED.

RELEASED FOR PUBLICATION

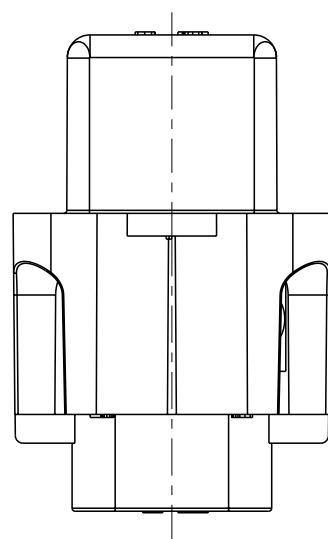
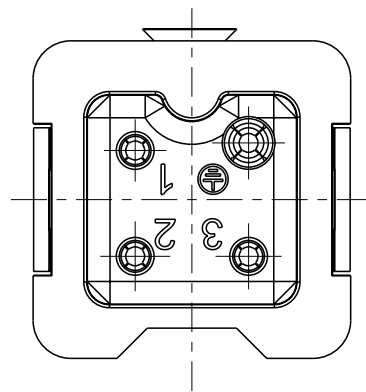
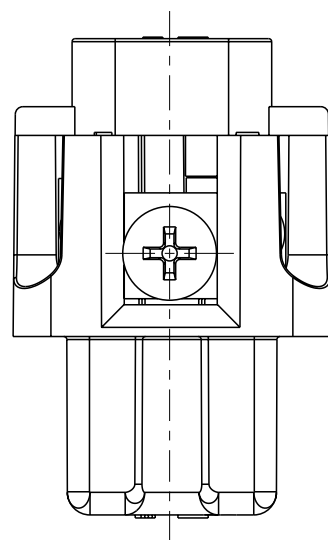
20

© COPYRIGHT 20 BY -

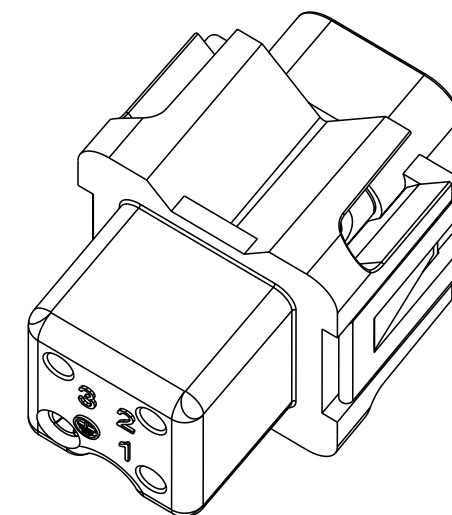
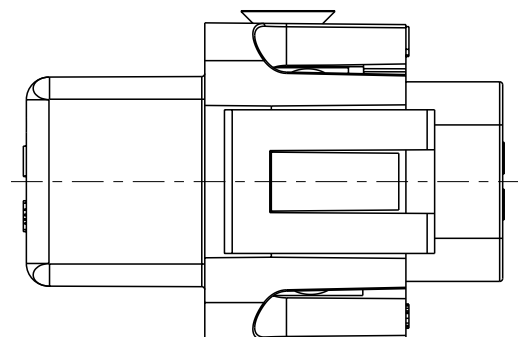
ALL RIGHTS RESERVED.

REVISIONS

P	LTR	DESCRIPTION	DATE	DWN	APVD
-	-	SEE SHEET 1	-	-	-



ALL DIMENSIONS ARE SAME AS TYPE 1,  
EXCEPT THOSE DEFINED IN THIS TYPE.  
除了在本类型中定义的尺寸外, 其它尺寸同类型 |



NOTE:  
SEE SHEET 1  
注释:  
见页 1

TYPE-2, T2010032201-001, NO LOGO  
类型-2, T2010032201-001, 无 LOGO

T2010032201-001	HA-003-F	HA-003 FEMALE INSERT, NO LOGO HA-003母插, 无LOGO	TYPE-2 类型-2
T2010032201-000	HA-003-F	HA-003 FEMALE INSERT HA-003母插	TYPE-1 类型-1
PART NUMBER 料号	PART DESCRIPTION 描述		TYPE 类型

THIS DRAWING IS A CONTROLLED DOCUMENT.		DWN 16DEC2014 DAVID WANG			
DIMENSIONS: mm		CHK 16DEC2014 CHRIS WANG			NAME HA-003-F
TOLERANCES UNLESS OTHERWISE SPECIFIED:		APVD 16DEC2014 XU XIANG			PRODUCT SPEC 108-137045
0 PLC ±- 1 PLC ±- 2 PLC ±- 3 PLC ±- 4 PLC ±- ANGLES ±-		APPLICATION SPEC 114-137045			SIZE A300779
MATERIAL -	FINISH -	WEIGHT -	CAGE CODE C-T2010032201000	RESTRICTED TO -	
Customer Drawing			SCALE 2:1	SHEET 2 OF 2	

printed on 18 Jun 2021 14:54 (China Standard Time) from TE236667

A

A

D

D

C

B

单击下面可查看定价，库存，交付和生命周期等信息

[>>TE Connectivity\(泰科\)](#)