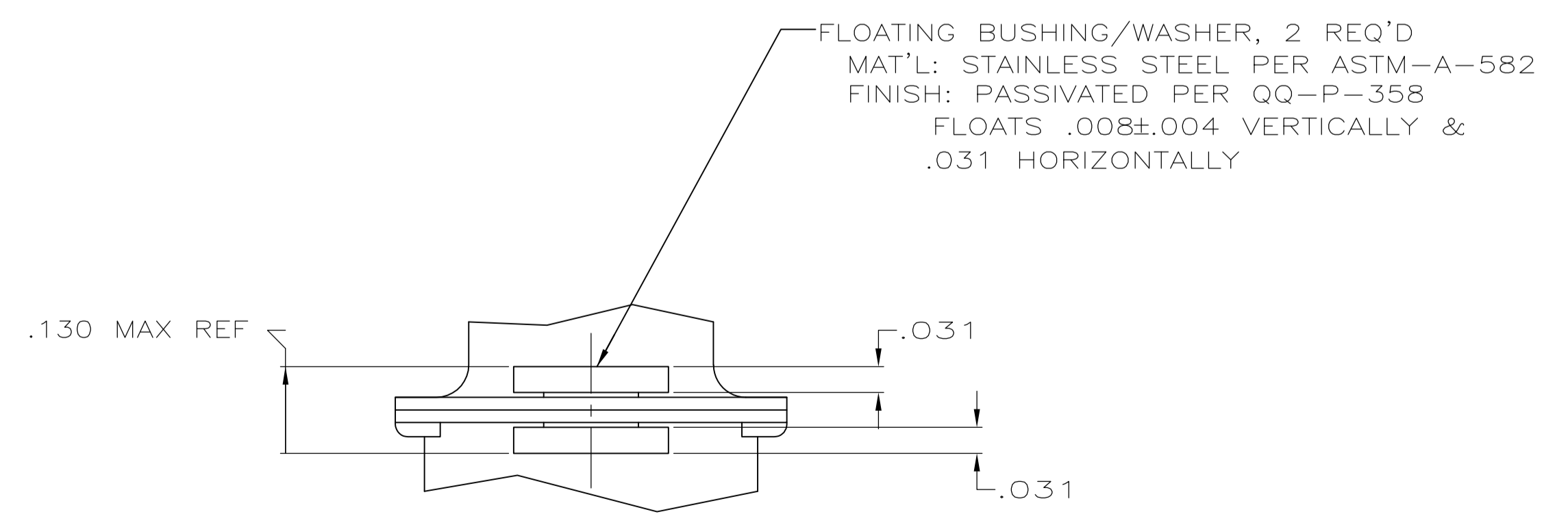
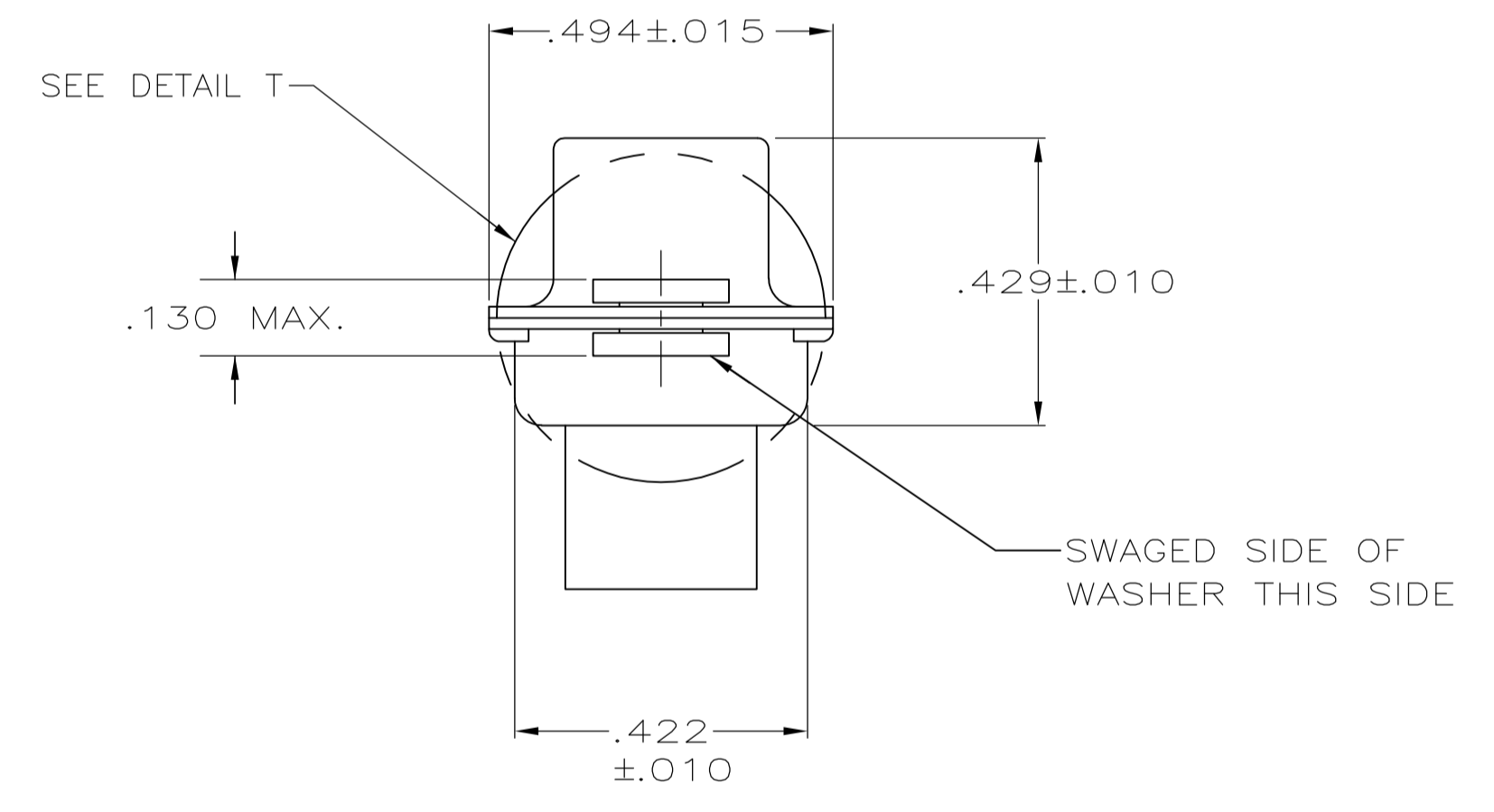
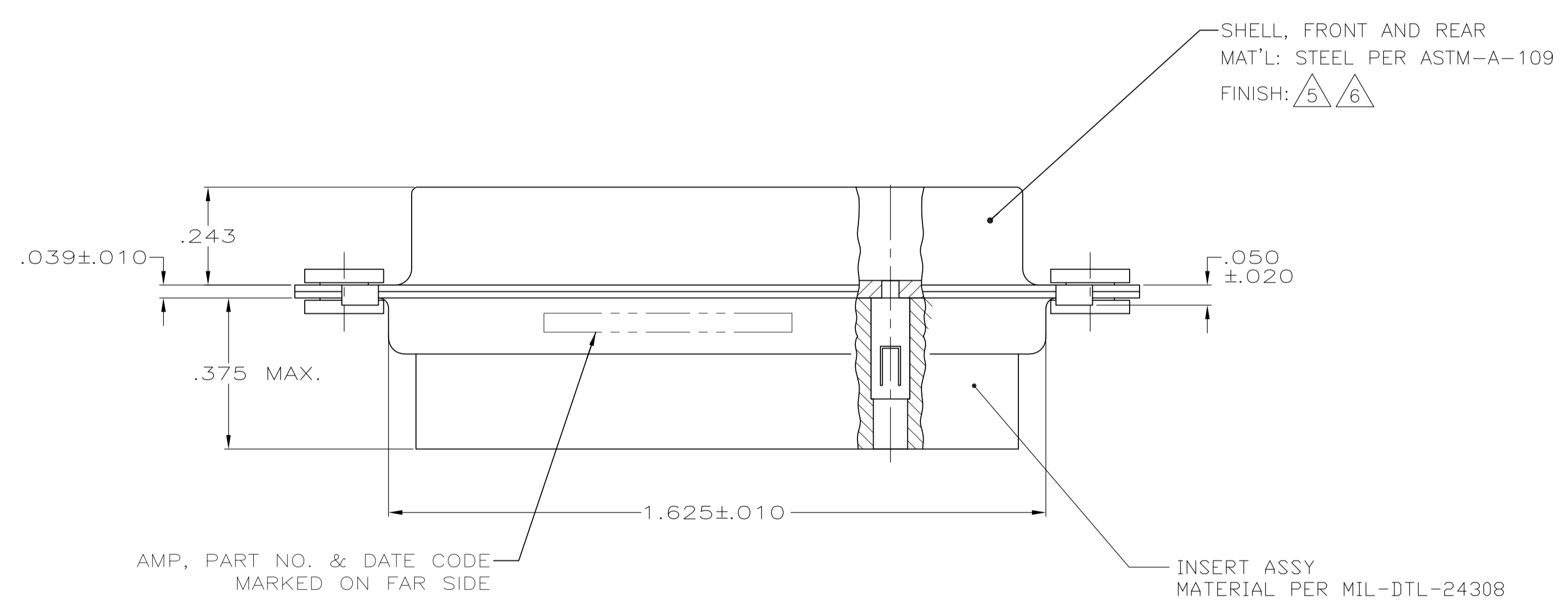
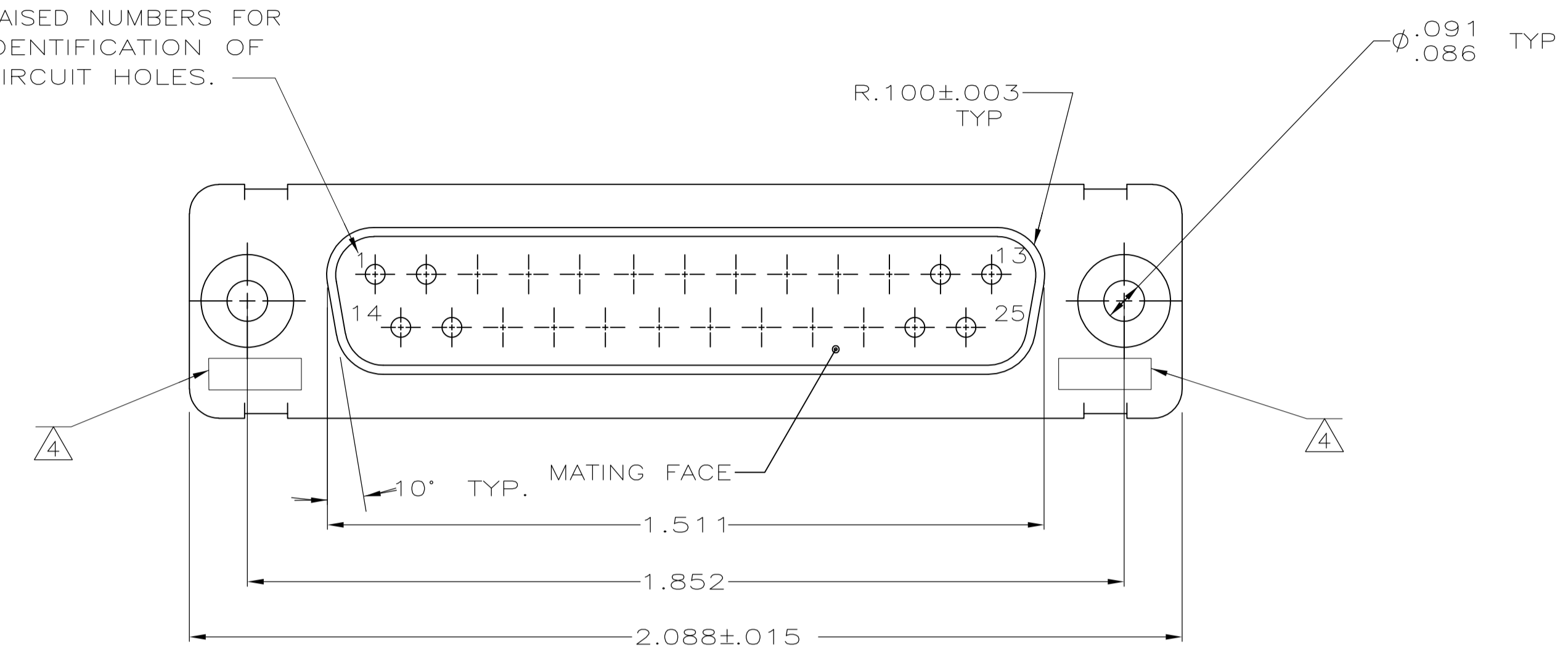


REVISONS		DATE	DMN	APVD
LOC	DIST	DESCRIPTION		
B	REV PER ECO	15-005907	5-18-15	CT DM

1. MAXIMUM WIRE INSULATION TO BE USED WITH THIS PLUG IS .068 DIA.
2. STAINLESS STEEL RETENTION CLIPS ARE INCLUDED IN INSERTS.
3. THIS PLUG WILL ACCEPT SIZE 20 PIN CONTACT M39029/64-369 OR AMP PART NUMBER 205089-1.

- 4. UL/CSA DESIGNATION MARKED IN THIS AREA, OPTIONAL
- 5. FINISH: CADMIUM PER QQ-P-416
- 6. FINISH: ZINC PLATED PER ASTM-B-633, .000200-.000400 THK WITH SUPPLEMENTARY CHROMATE (Cr3+)

RAISED NUMBERS FOR IDENTIFICATION OF CIRCUIT HOLES.



DETAIL T
SCALE 6:1

PLATED PER 6	5-1484949-1
PLATED PER 5	1484949-1
DESCRIPTION	PART NUMBER

THIS DRAWING IS A CONTROLLED DOCUMENT.

DIMENSIONS: INCHES	TOLERANCES UNLESS OTHERWISE SPECIFIED:	0. PLC ± -	1. PLC ± -	2. PLC ± -	3. PLC ± .005	4. PLC ANGLES ± # 0° 30'	
MATERIAL: SEE CALLOUTS	FINISH: SEE CALLOUTS	DIN: C.C. THOMAS 8-28-02		CHK: D. MILLER 8-28-02		APVD: D. MILLER 8-28-02	
CUSTOMER DRAWING		SCALE: 4:1		SHEET: 1 OF 1		REV: B	

STE TE Connectivity

RCPT. ASSEMBLY, AMPLIMITE 25 POSN, SIZE 3, SERIES 109 BLINDMATE, REVERSE GENDER

SIZE: A1 | CAGE CODE: 00779 | DRAWING NO: 1484951

单击下面可查看定价，库存，交付和生命周期等信息

[>>TE Connectivity\(泰科\)](#)