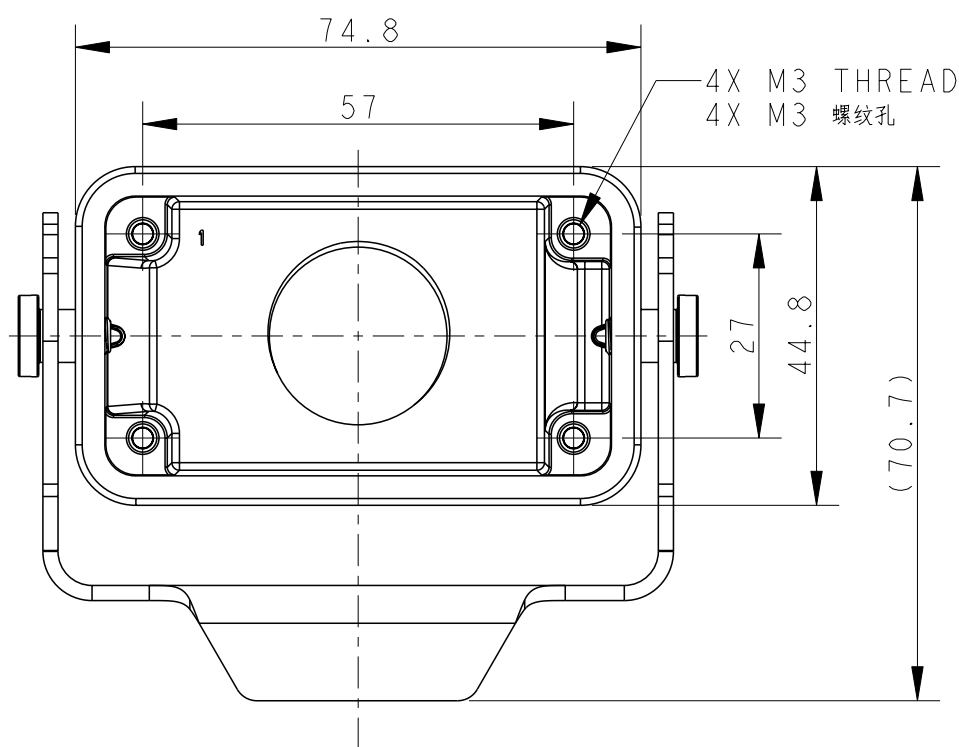
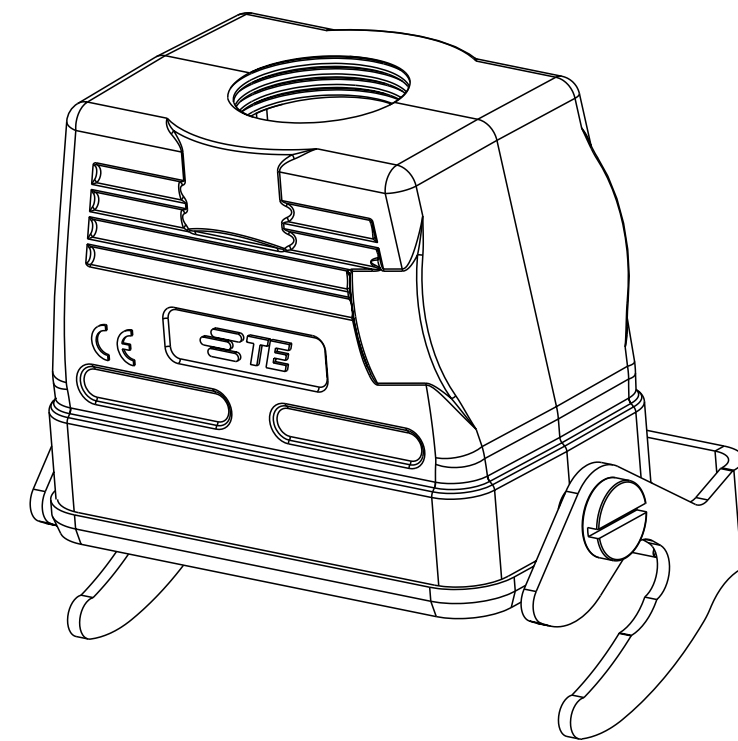
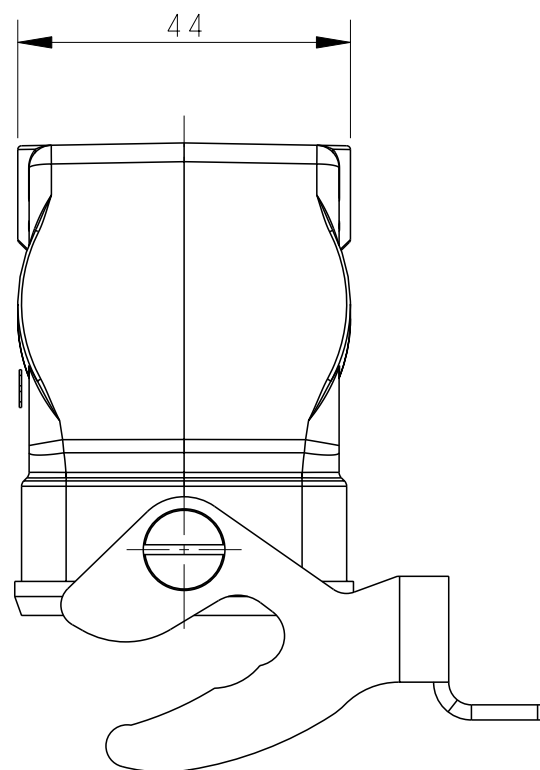
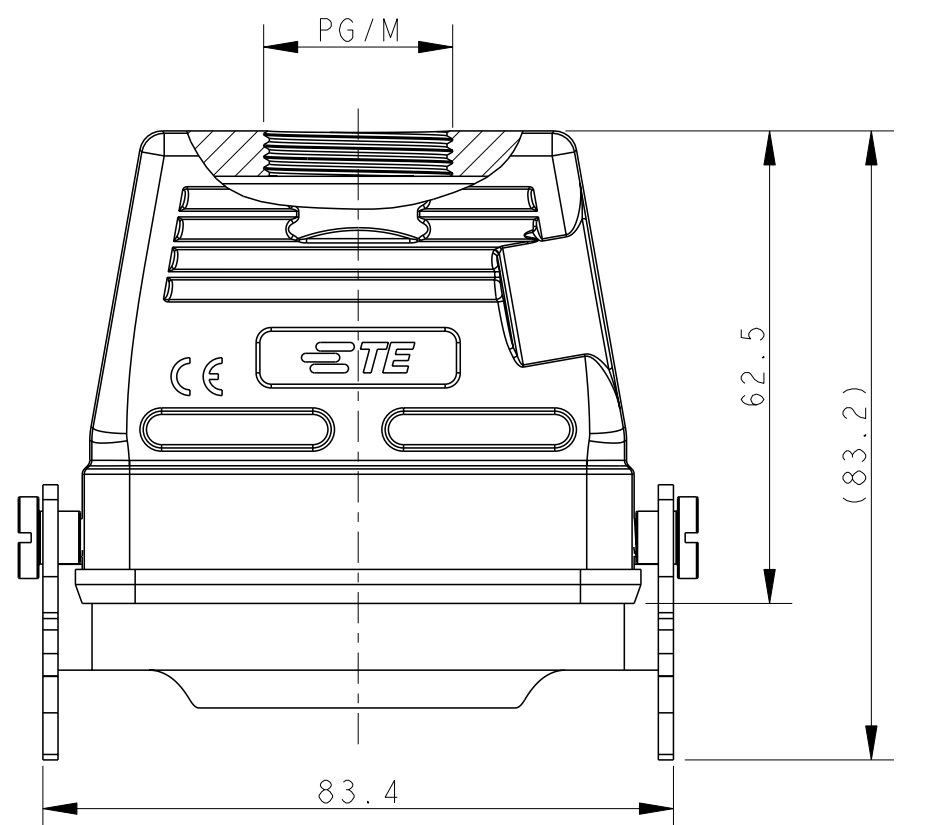


THIS DRAWING IS UNPUBLISHED. RELEASED FOR PUBLICATION 20  
 © COPYRIGHT 20 BY - ALL RIGHTS RESERVED.


P	LTR	DESCRIPTION	DATE	DWN	APVD
	A	INITIAL RELEASE	08JUL2015	DL	CW
	B	ECR-20-008181	28JUL2020	WQR	CW
	BI	ECR-21-103925	07JUN2021	WQR	CW



NOTES:  
 1. TECHNICAL CHARACTERISTICS:  
 BODY MATERIAL: DIE CAST ALUMINIUM ALLOY  
 SURFACE TREATMENT: POWDER-COATED, GRAY  
 DEGREE OF PROTECTION: IP65 (MATED)

注释:  
 1. 技术参数:  
 主体材料: 铝合金  
 表面处理: 粉末喷涂, 灰色  
 防护等级: IP65(配合)

T1730103116-000	H10B-TBF-LB-PG16	PG16
T1730103120-000	H10B-TBF-LB-M20	M20
T1730103125-000	H10B-TBF-LB-M25	M25
ASSEMBLY PART NUMBER	ASSEMBLY PART DESCRIPTION	PG/M

THIS DRAWING IS A CONTROLLED DOCUMENT.		DWN 08JUL2015 DAVID LI	 TE Connectivity NAME H10B-TBF-LB-PG/M	
DIMENSIONS: mm		CHK 08JUL2015 CHRIS WANG		
TOLERANCES UNLESS OTHERWISE SPECIFIED:		APVD 08JUL2015 XU XIANG		
0 PLC ±- 1 PLC ±- 2 PLC ±- 3 PLC ±- 4 PLC ±- ANGLES ±-		PRODUCT SPEC 108-137013		
MATERIAL TBD		FINISH -	APPLICATION SPEC 114-137013	SIZE A3
			WEIGHT -	CAGE CODE -
			CUSTOMER DRAWING	DRAWING NO. C-T17301031XX000
				RESTRICTED TO
				SCALE 1:1
				SHEET 1 OF 1
				REV BI

printed on 17 Jun 2021 11:00 (China Standard Time) from TE343646

单击下面可查看定价，库存，交付和生命周期等信息

[>>TE Connectivity\(泰科\)](#)