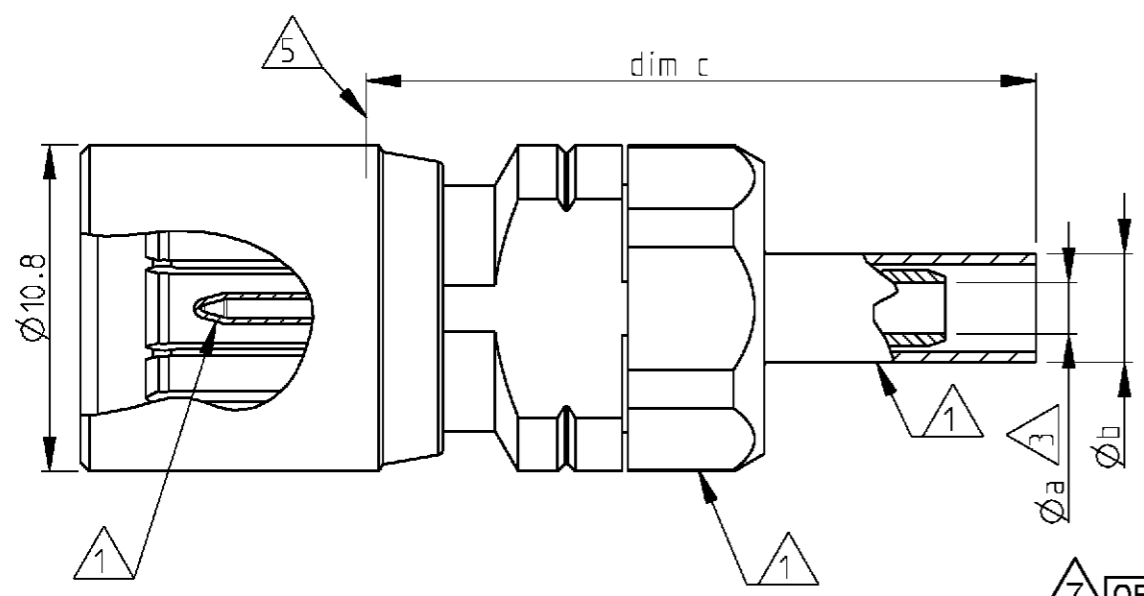


THIS DRAWING IS UNPUBLISHED. RELEASED FOR PUBLICATION 2000
 © COPYRIGHT 2000 BY TYCO ELECTRONICS CORPORATION. ALL RIGHTS RESERVED.

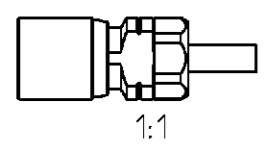
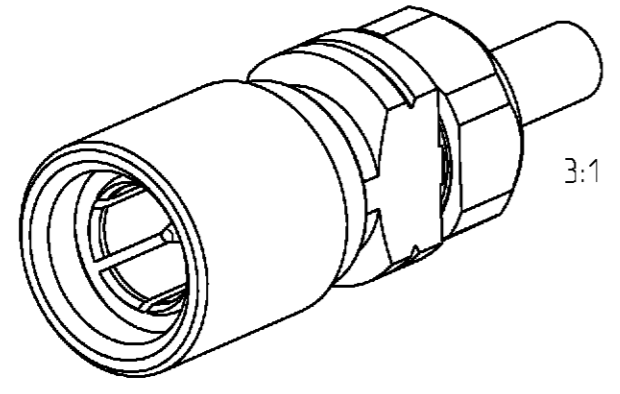
LOC	DIST	REVISIONS				
P	LTR	DESCRIPTION	DATE	DWN	APVD	
GW	-	A	-	05APR2001	BL	KM
		A1	REV PER ECO-09-026495	30NOV09	KK	AEG



Cross reference table

Old part number	Tyco part number	Description	Material	Plating	Øa	Øb	dim c	Cable type
V23612-A102-A45	1393680-3	Outer conductor	Brass	1 µm Au min in contact area	2.55	6.2	26.2	02YCCY 0.4/2.5 LYC(MS)CY 0.4/2.5
		Center conductor	CuBe/Brass	1 µm Au min in contact area				
		Dielectric	PTFE/PEEK	-				
7 OBSOLETE V23612-A102-A46	4 1393680-4	Outer conductor	Brass	1 µm Au min in contact area	2.9	7.93	29.2	2YC(MS)CY 0.5/3.0
		Center conductor	CuBe/Brass	1 µm Au min in contact area				
		Dielectric	PTFE/PEEK	-				
7 OBSOLETE V23612-A102-A49	5 1393680-5	Outer conductor	Brass	1 µm Au min in contact area	4.3	7.93	29.2	2YCY 0.7/4.4
		Center conductor	CuBe/Brass	1 µm Au min in contact area				
		Dielectric	PTFE/PEEK	-				
V23612-A102-A76	1393680-9	Outer conductor	Brass	1 µm Au min in contact area	2.15	5.2	26.2	02Y(ST) CY 0.45/2.0
		Center conductor	CuBe/Brass	1 µm Au min in contact area				
		Dielectric	PTFE/PEEK	-				
V23612-A102-A76A	1-1393680-0	Outer conductor	Brass	1 µm Au min in contact area	2.15	5.2	26.2	02Y(ST) CY 0.45/2.0
		Center conductor	CuBe/Brass	1 µm Au min in contact area				
		Dielectric	PTFE/PEEK	-				
7 OBSOLETE V23612-E102-A76	5 1393680-5	Outer conductor	Brass	1 µm Au min in contact area	2.15	5.2	26.2	02Y(ST) CY 0.45/2.0
		Center conductor	CuBe/Brass	1 µm Au min in contact area				
		Dielectric	PTFE/PEEK	-				

- OBSOLETE PARTS: OBSOLETE CIS STREAMLINING PER D.RENAUD/D.SINISI
- Packed in tray
- Reference plane.
- 4) Mating face according to DIN 47295/CECC 22240.
- Minimum dimension.
- 2) All dimensions are maximum unless otherwise specified.
- Supplied as loose part.



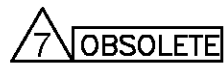
THIS DRAWING IS A CONTROLLED DOCUMENT FOR TYCO ELECTRONICS CORPORATION. IT IS SUBJECT TO CHANGE AND THE CONTROLLING ENGINEERING ORGANIZATION SHOULD BE CONTACTED FOR THE LATEST REVISION.


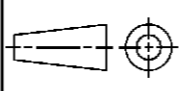
DIMENSIONS: mm	TOLERANCES UNLESS OTHERWISE SPECIFIED:	DWN B. Lenvain 27FEB2001	Tyco Electronics Oostkamp - Belgium
	0 PLC ±	CHK K. Mattheeuws 5APR2001	
	1 PLC ±	APVD R. Leeman 5APR2001	
	2 PLC ±	PRODUCT SPEC -	NAME Cable plug 1.6/5.6 75 OHM
	3 PLC ±	APPLICATION SPEC 114-71019	SIZE A3 CAGE CODE 00779 DRAWING NO C-1393680-2
	4 PLC ±	MATERIAL - FINISH -	RESTRICTED TO -
	ANGLES ±	WEIGHT -	SCALE 5/1 SHEET 1 OF 2 REV A1

CUSTOMER DRAWING

THIS DRAWING IS UNPUBLISHED. RELEASED FOR PUBLICATION 2000
 © COPYRIGHT 2000 BY TYCO ELECTRONICS CORPORATION. ALL RIGHTS RESERVED.

LOC	DIST	REVISIONS				
P	LTR	DESCRIPTION	DATE	DWN	APVD	
	-	SEE SHEET 1	-	-	-	

Cross reference table								
Old part number	Tyco part number	Description	Material	Plating	Øa	Øb	dim c	Cable type
 V23612-A102-A24	1393680-1	Outer conductor	Brass	1 µm Au min in contact area	2.15	5.2	26.2	R1-T1 2.0 LI 75k
		Center conductor	CuBe/Brass	1 µm Au min in contact area				
		Dielectric	PTFE/PEEK	-				
V23612-A102-A41	1393680-2	Outer conductor	Brass	1 µm Au min in contact area	1.7	3.6	26.2	RG 179 B/U
		Center conductor	CuBe/Brass	1 µm Au min in contact area				
		Dielectric	PTFE/PEEK	-				

<small>THIS DRAWING IS A CONTROLLED DOCUMENT FOR TYCO ELECTRONICS CORPORATION. IT IS SUBJECT TO CHANGE AND THE CONTROLLING ENGINEERING ORGANIZATION SHOULD BE CONTACTED FOR THE LATEST REVISION.</small>		DWN B. Lenvain 27FEB2001 CHK K. Mattheeuws 5APR2001 APVD R. Leeman 5APR2001		 Tyco Electronics Oostkamp - Belgium	
DIMENSIONS: mm 		TOLERANCES UNLESS OTHERWISE SPECIFIED: 0 PLC ± 1 PLC ±0.5 2 PLC ±0.13 3 PLC ±0.013 4 PLC ±0.0001 ANGLES ±		NAME Cable plug 1.6/5.6 75 Ohm	
MATERIAL - FINISH -		PRODUCT SPEC - APPLICATION SPEC - WEIGHT -		SIZE A3 CAGE CODE 00779 DRAWING NO. ©-1393680-2 RESTRICTED TO -	
				SCALE 5/1 SHEET 2 OF 2 REV A1	

单击下面可查看定价，库存，交付和生命周期等信息

[>>TE Connectivity\(泰科\)](#)