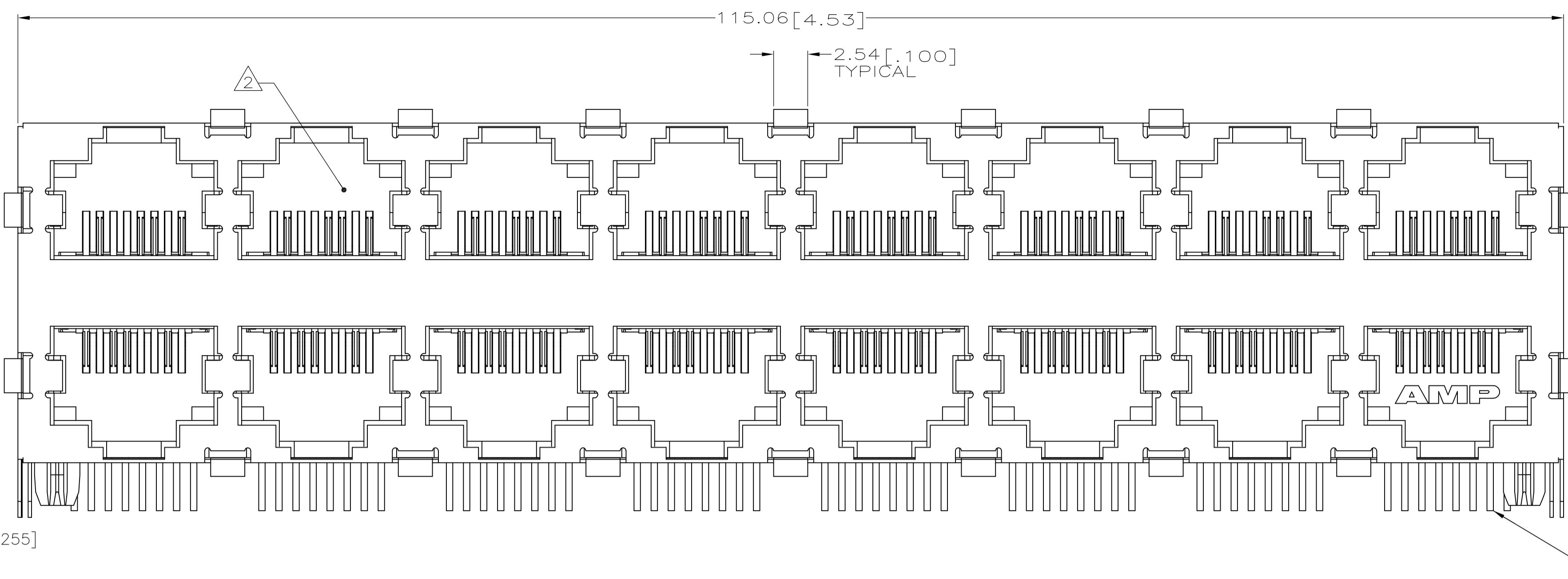
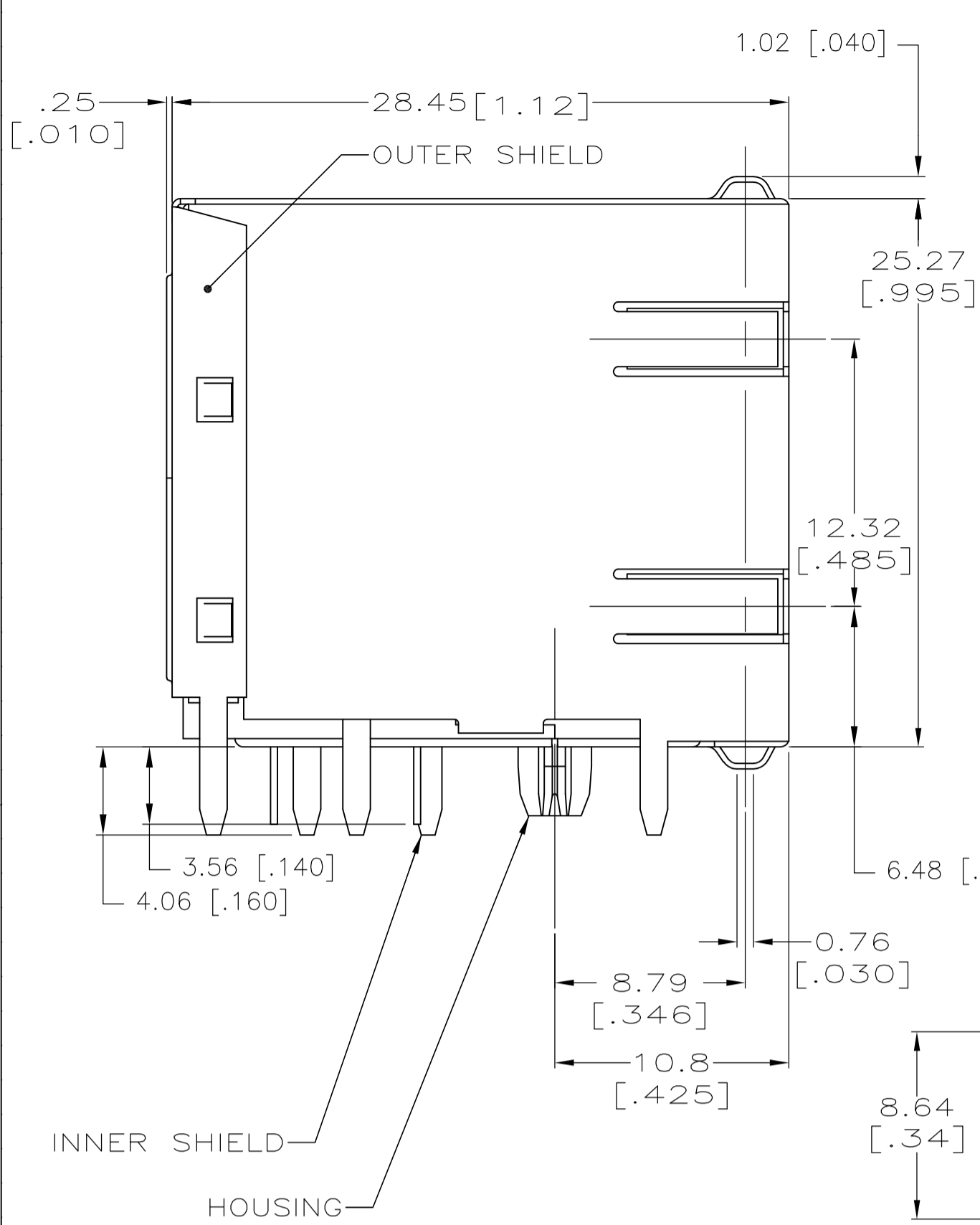


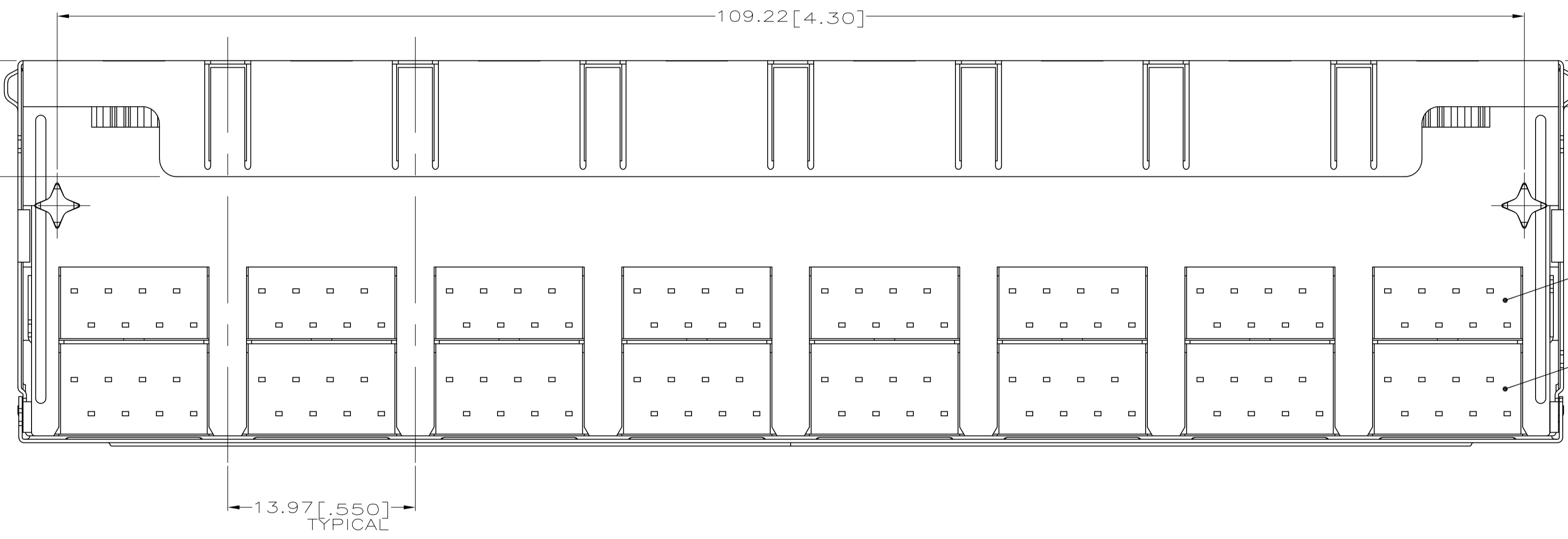
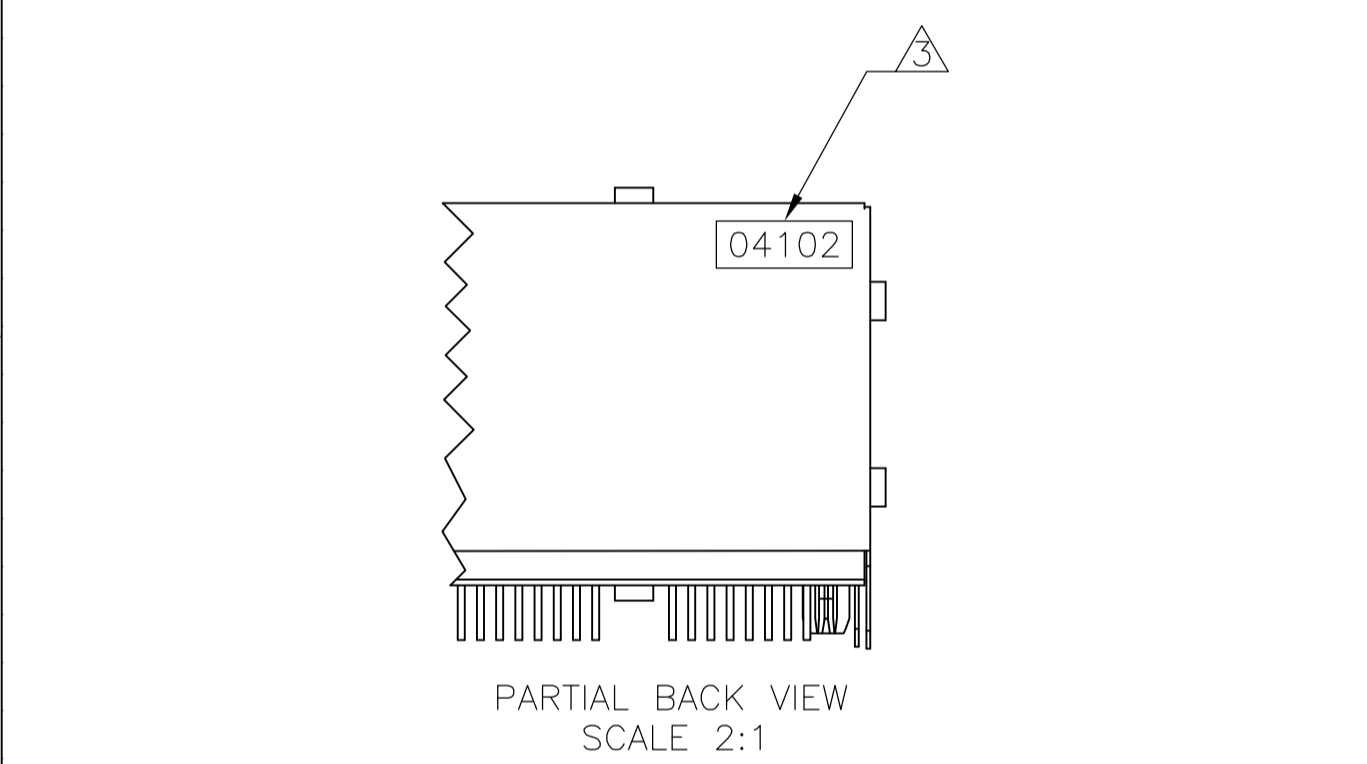
LOC		DIST		REVISIONS			
AA	22	F	LTR	DESCRIPTION	DATE	DWN	APVD
B2				REVISED PER ECO-11-005033	31MAR11	RK	HMR



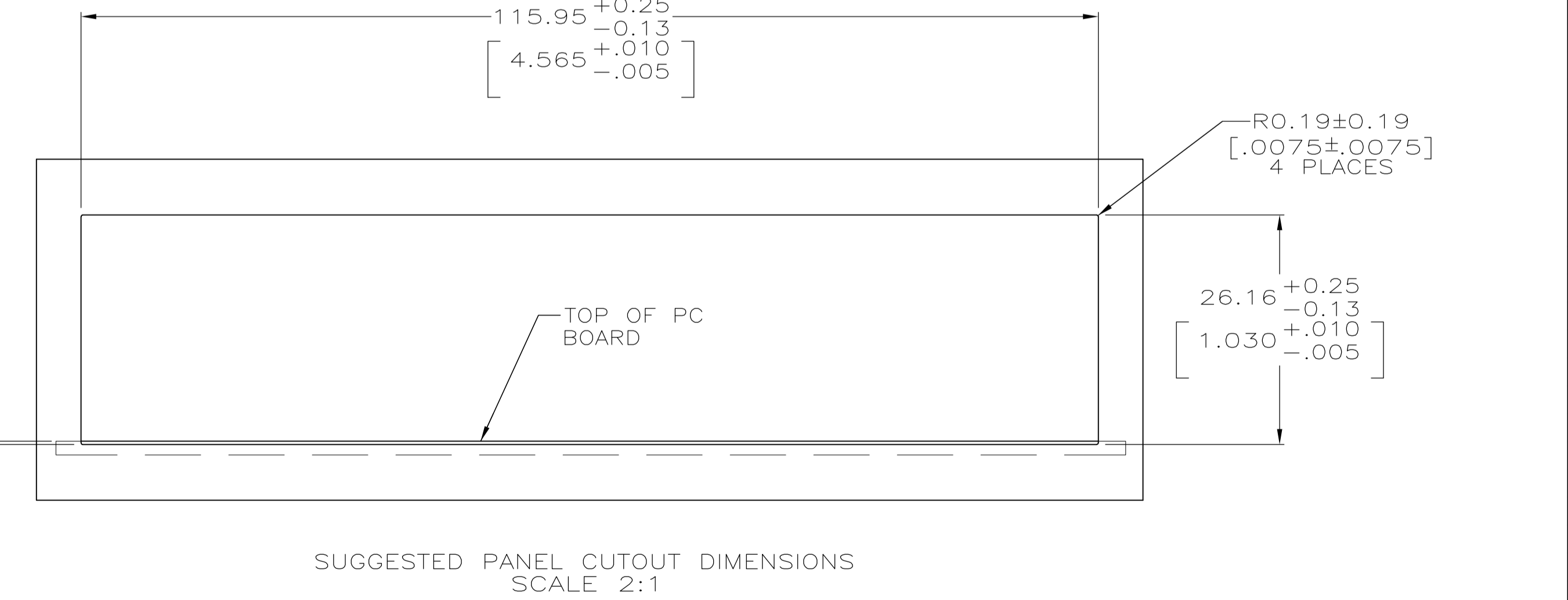
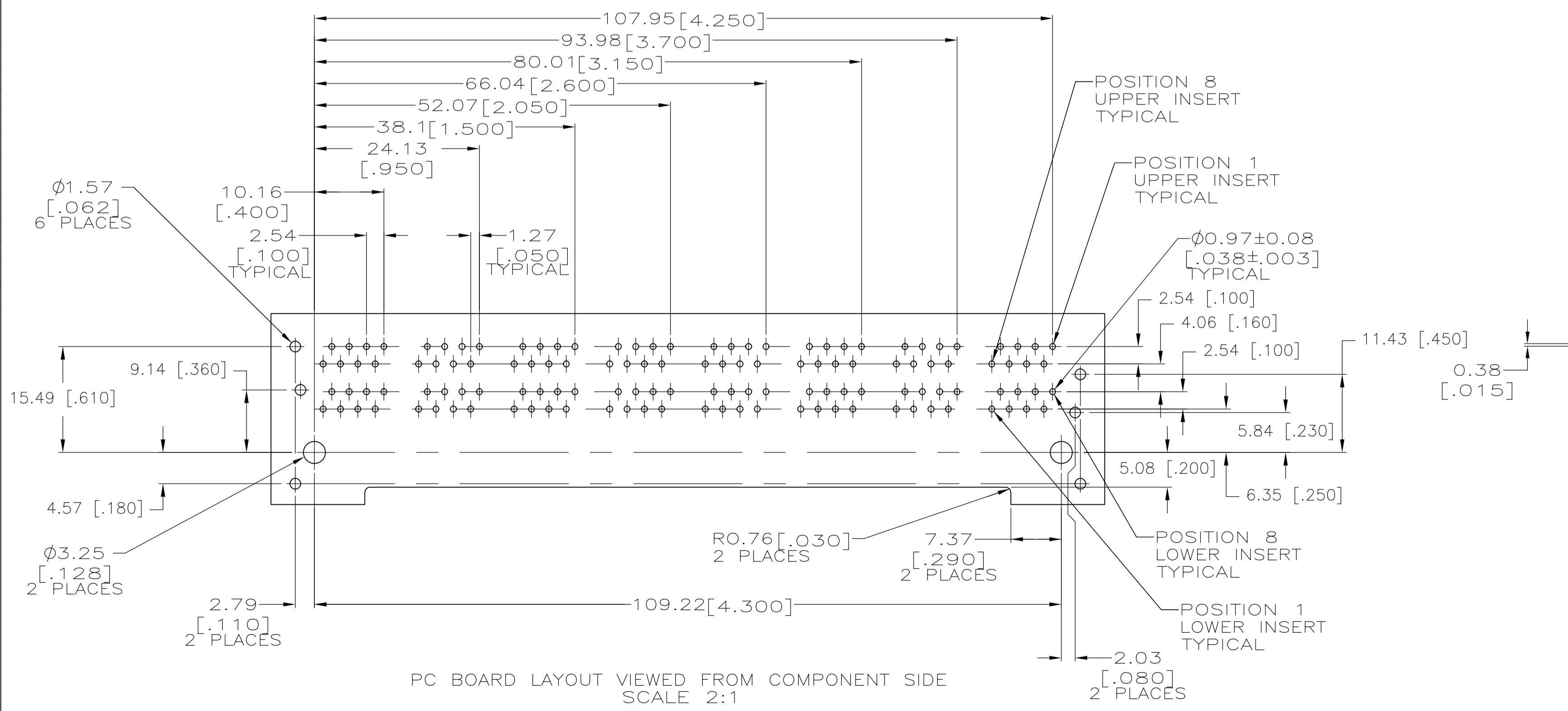
1. MATERIAL:  
 HOUSING - PCT POLYESTER, BLACK, UL94V-0.  
 OVERMOLDED TERMINAL ARRAY - PBT, BROWN.  
 TERMINALS - 0.33 [.013] THICK PHOS BRONZE PLATED WITH 1.27um [.000050] MIN THICK HARD GOLD IN LOCALIZED AREA AND 3.81um [.000150] MIN THICK MATTE TIN IN SOLDER AREA OVER 1.27um [.000050] MIN THICK NICKEL UNDERPLATE.  
 SHIELDS - 0.25 [.010] THICK COPPER ALLOY PLATED WITH 1.27 um [.000050] MINIMUM NICKEL AND 2.03 um [.000080] MINIMUM HOT TIN DIP ON PCB GROUND TABS.

△ JACK CAVITY CONFORMS TO FCC RULES AND REGULATIONS, PART 68 SUBPART F.

△ DATE CODE LOCATED ON REAR OF PART APPROXIMATELY AS SHOWN:  
 FIRST 2 DIGITS ARE LAST 2 DIGITS OF YEAR, SECOND 2 DIGITS ARE MANUFACTURING WORK WEEK, LAST DIGIT IS DAY OF WEEK, WITH SUNDAY = 1.



LOWER INSERT QUANTITY 8  
 UPPER INSERT QUANTITY 8



THIS DRAWING IS A CONTROLLED DOCUMENT.		DIN T. SPRINKLE/L. A. MAYER 25MAY2005		5569264-1 PART NUMBER	
DIMENSIONS: mm [INCHES]		TOLERANCES UNLESS OTHERWISE SPECIFIED:		STE TE Connectivity	
0 PLC ± -		1 PLC ± -		NAME STACKED MODULAR JACK ASSEMBLY, 2x8 PORT, 8 POSITION, SHIELDED, PANEL GROUND, CATEGORY 5	
1 PLC ± -		2 PLC ± 0.25[.05]		PRODUCT SPEC 108-1163-2	
2 PLC ± -		3 PLC ± 0.13[.005]		APPLICATION SPEC 114-2048	
3 PLC ± -		4 PLC ± -		SIZE A1	
4 PLC ± -		ANGLES ± -		DRAWING NO. 00779	
MATERIAL SEE NOTE 1		FINISH SEE NOTE 1		WEIGHT -	
				CUSTOMER DRAWING	
				SCALE 4:1 SHEET 1 OF 1 REV B2	

单击下面可查看定价，库存，交付和生命周期等信息

[>>TE Connectivity\(泰科\)](#)