

NOTES

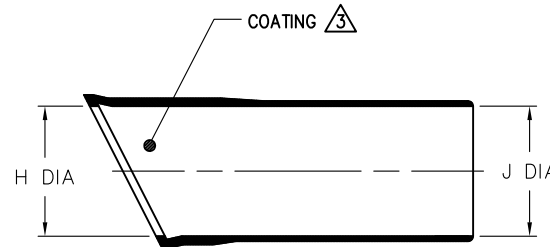
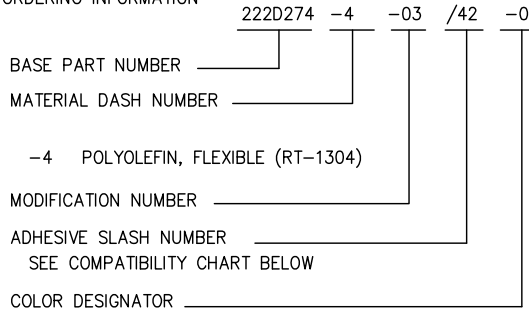
1. ALL DIMENSIONS ARE IN $\frac{\text{INCHES}}{[\text{MILLIMETERS}]}$

2. DIMENSIONS APPEARING IN TABLE ARE AS FOLLOWS:

- a - AS SUPPLIED
- b - AFTER UNRESTRICTED RECOVERY

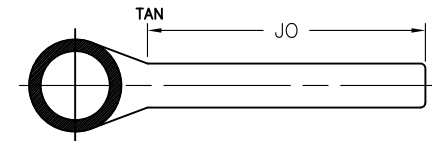
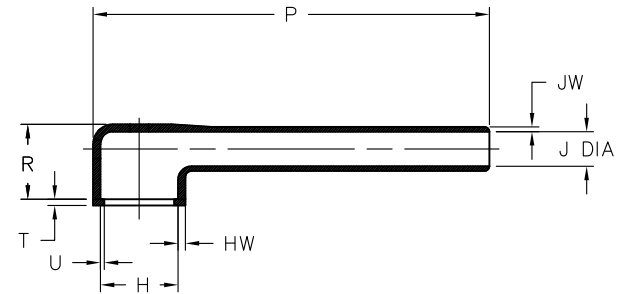
3. COATING (ADHESIVE): IS OPTIONAL AS SUPPLIED DIMENSIONS APPEARING IN TABLE ARE FOR UNCOATED PARTS. WHEN COATING IS ADDED, ENTRY DIAMETER WILL BE REDUCED BY .06 [1.5] MAX.

4. ORDERING INFORMATION



AS SUPPLIED

DIMENSIONING AND TOLERANCING PER ASME Y14.5M (ISO STANDARDS)		
REVISIONS		
LTR	DESCRIPTION	DATE
A	REVISED PER ECO-12-009120	5/14/2012



AFTER UNRESTRICTED RECOVERY

PART DESCRIPTION	H		J		P	R	T	JO	U	HW	JW
	MIN	MAX	MIN	MAX							
	a	b	a	b	±10%	REF	REF	±10%	REF	±20%	±20%
222D274-4-03	2.50 [63,5]	1.62 [41,1]	2.50 [63,5]	.56 [14,2]	4.50 [114,3]	1.16 [29,6]	.12 [3,0]	2.48 [62,9]	.065 [1,6]	.09 [2,28]	.055 [1,39]

COMPATIBILITY CHART

MATERIAL DASH NO.	ADHESIVE (COATING) SLASH NO.	ADHESIVE (COATING) S NO.
-4	/42;	S-1017;

UNLESS OTHERWISE SPECIFIED DIMENSIONS ARE INCHES. METRIC DIMENSIONS ARE IN BRACKETS.

DECIMAL TOLERANCES

.XXX ± 0.005 [0.13 mm]

.XX ± 0.01 [0.25 mm]

.X ± 0.1 [0.50 mm]

ANGLE TOLERANCE

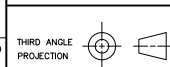
.X ± 1 DEG.

TYCO ELECTRONICS RESERVES THE RIGHT TO AMEND THIS DRAWING AT ANY TIME. USERS SHOULD EVALUATE THE SUITABILITY OF THE PRODUCT FOR THEIR APPLICATION.

© 2009-2012 Tyco Electronics Corporation. All rights reserved.

DRAWN
MMAZARIEGOS

APPROVED
DHURRELL



Raychem Molded Parts
CUSTOMER DRAWING

TE TE Connectivity

TITLE
BOOT, 90 DEGREE,
WITH LIP

SIZE B CODE IDENT. NO. 06090 DWG. NO. 222D274-4-03

DO NOT SCALE THIS DRAWING SHEET 1 OF 1

If this document is printed it becomes uncontrolled. Check for the latest revision

单击下面可查看定价，库存，交付和生命周期等信息

[>>TE Connectivity\(泰科\)](#)