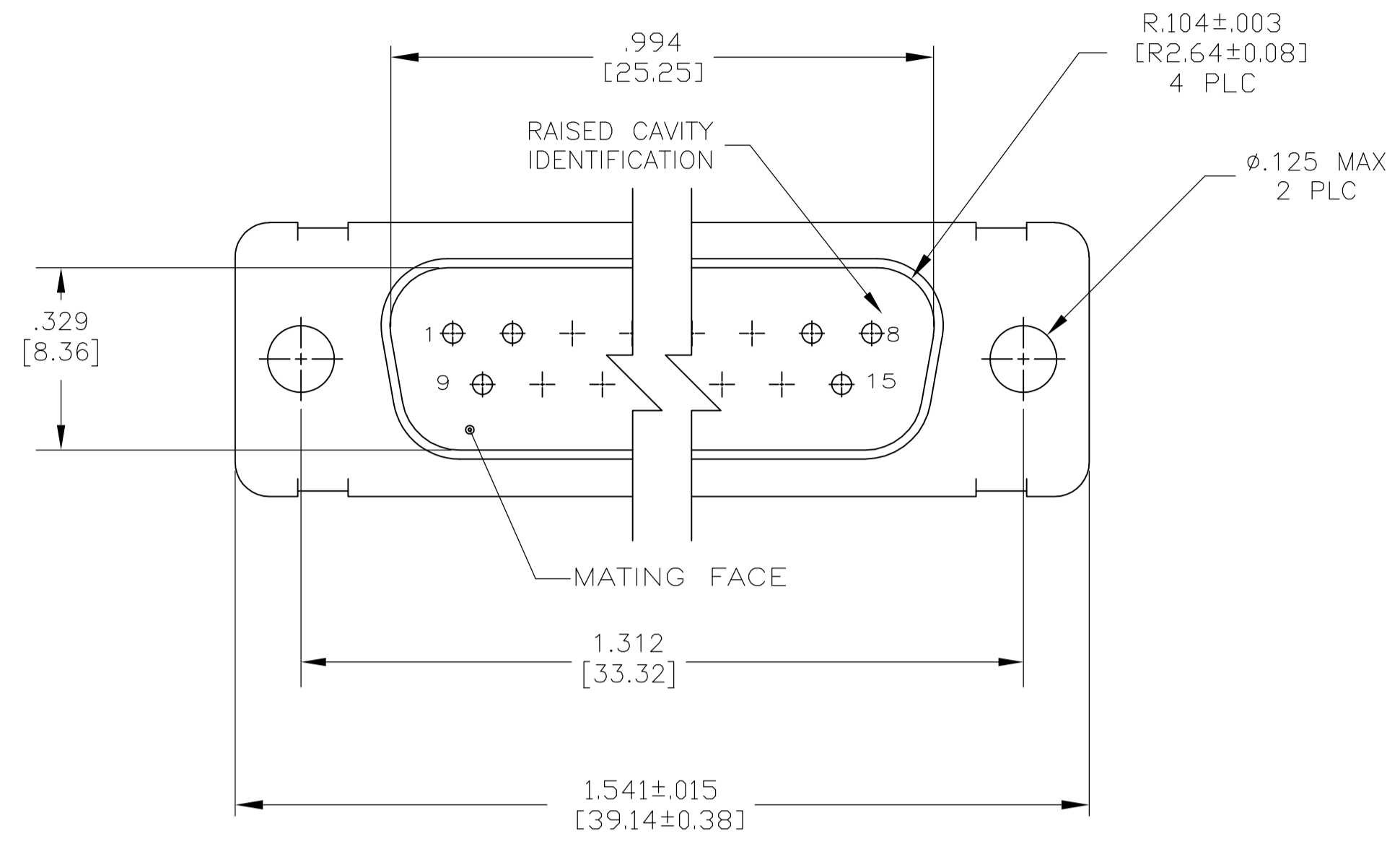
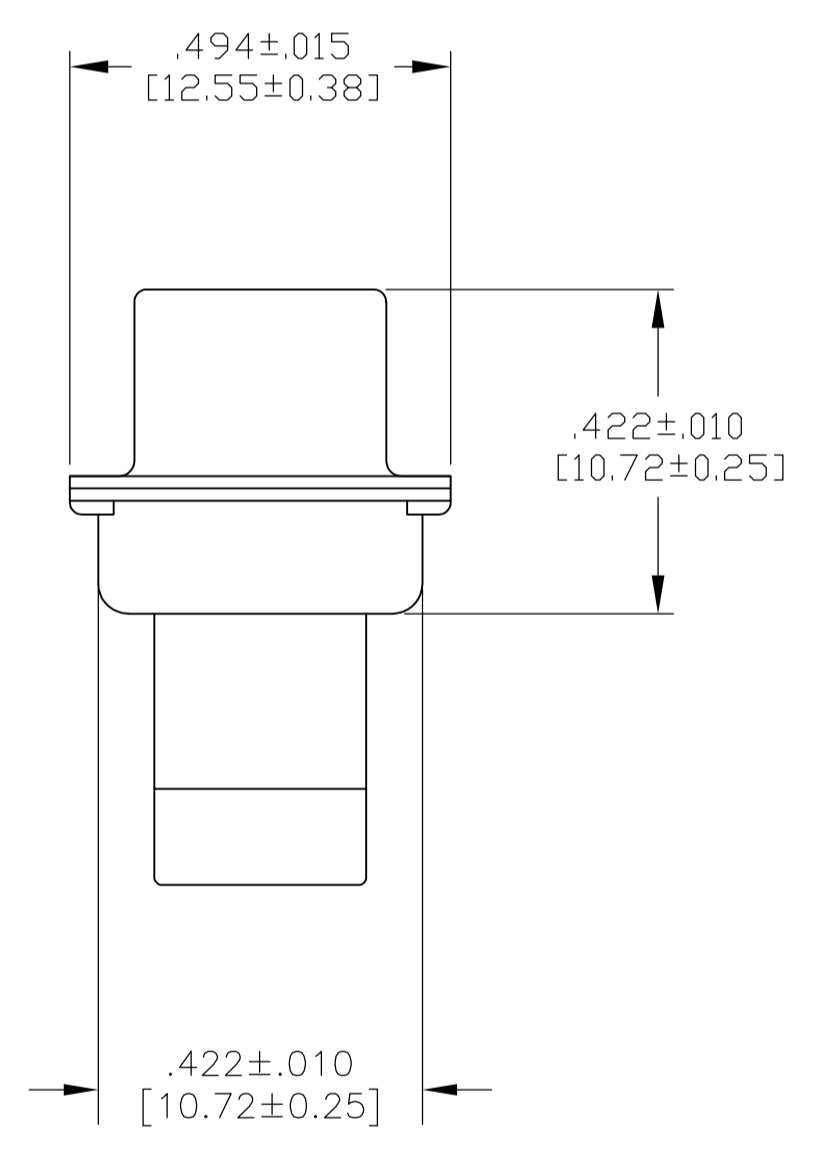
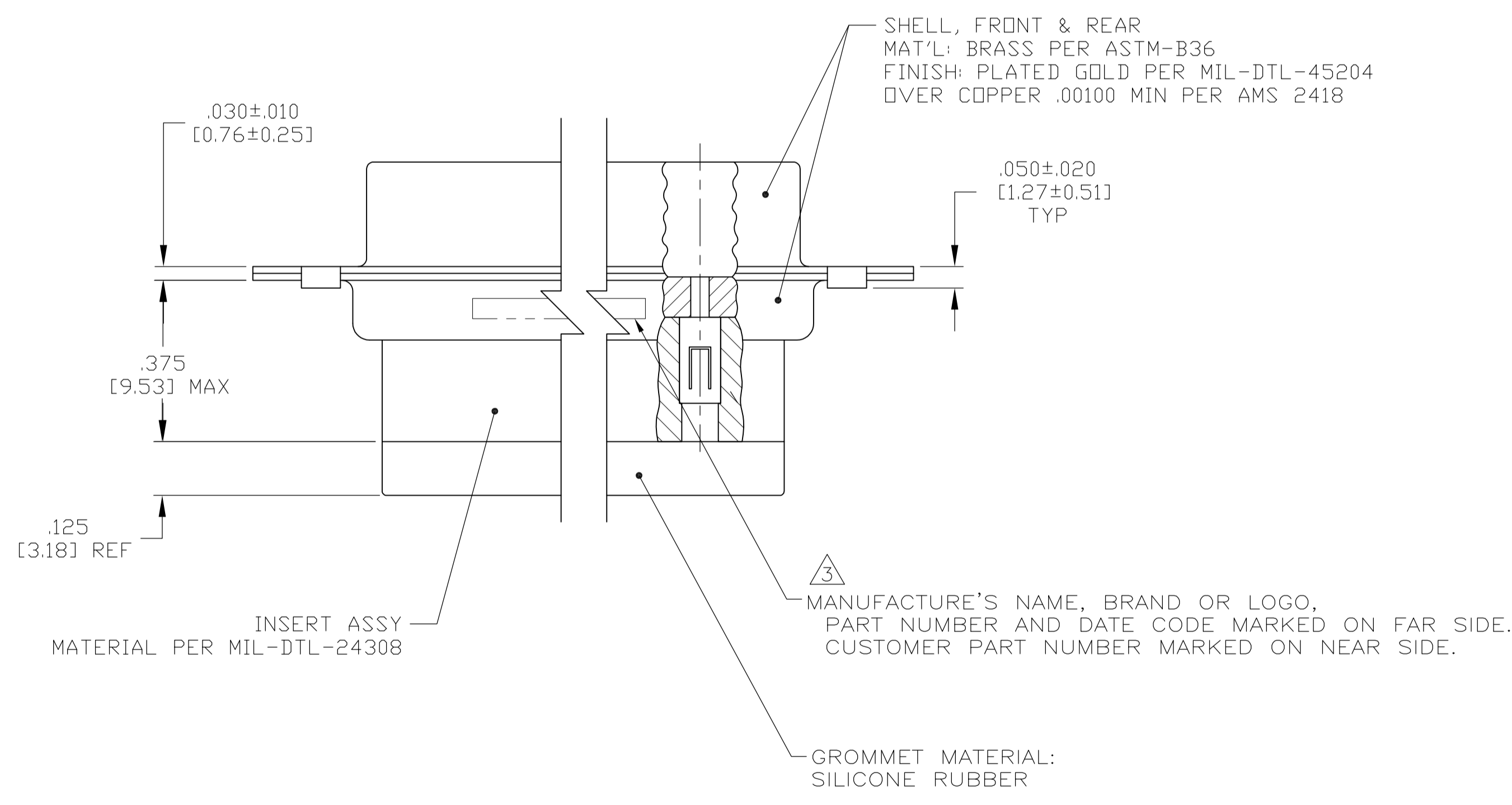


LOC		DIST		REVISIONS			
P	LTR	DESCRIPTION	DATE	DNW	APVD		
J		REV PER ECO 15-005906	5-19-15	CT	DM		



- THIS CONNECTOR ASSEMBLY IS SUPPLIED WITH Be Cu CONTACT RETENTION CLIPS INSTALLED IN THE INSERT ASSEMBLY.
 - THIS CONNECTOR ASSEMBLY MATES WITH ANY PLUG CONNECTOR WITH THE SAME INSERT ARRANGEMENT AND DIMENSIONAL REQUIREMENTS PER MIL-C-24308.
 - MARKED WITH .047 [1.19]-.062 [1.57] HIGH CHARACTERS. FAR SIDE REFERS TO THE WIDE SIDE OF THE KEYSTONE. NEAR SIDE REFERS TO THE NARROW SIDE OF THE KEYSTONE.
 - MAXIMUM WIRE INSULATION TO BE USED WITH THIS CONNECTOR ASSEMBLY IS .068 [1.73] DIAMETER.
- SPECIAL REQUIREMENTS PER BOEING 1A01 DOCUMENT.
- BUILT TO ORDER, NO INVENTORY OF THIS PART NUMBER IS TO BE KEPT. SINGLE LOT DATE CODE REQUIRED.



REMARKS	CUSTOMER MARKING	PART NUMBER
△6	1A01-027PHW	1-211639-1
--	---	211639-4
△6	1A01-027PHA	211639-1

DIMENSIONS:		TOLERANCES UNLESS OTHERWISE SPECIFIED:		APPROVED:		NAME:	
INCHES [mm]		0 PLC	± -	DESIGNER	13FEB09	DATE	13FEB09
		1 PLC	± -	CHK	13FEB09	REV	LEASE
		2 PLC	± -	APP'D	13FEB09	PRODUCT SPEC	
		3 PLC	± .005 [0.13]			APPLICATION SPEC	
		4 PLC	± -			WEIGHT	
		ANGLES	± -			RESTRICTED TO	
MATERIAL		FINISH		SIZE	CAGE CODE	DRAWING NO	
				A1	00779	211639	
CUSTOMER DRAWING				SCALE	4:1	SHEET	1 of 1
				REV	J		

单击下面可查看定价，库存，交付和生命周期等信息

[>>TE Connectivity\(泰科\)](#)