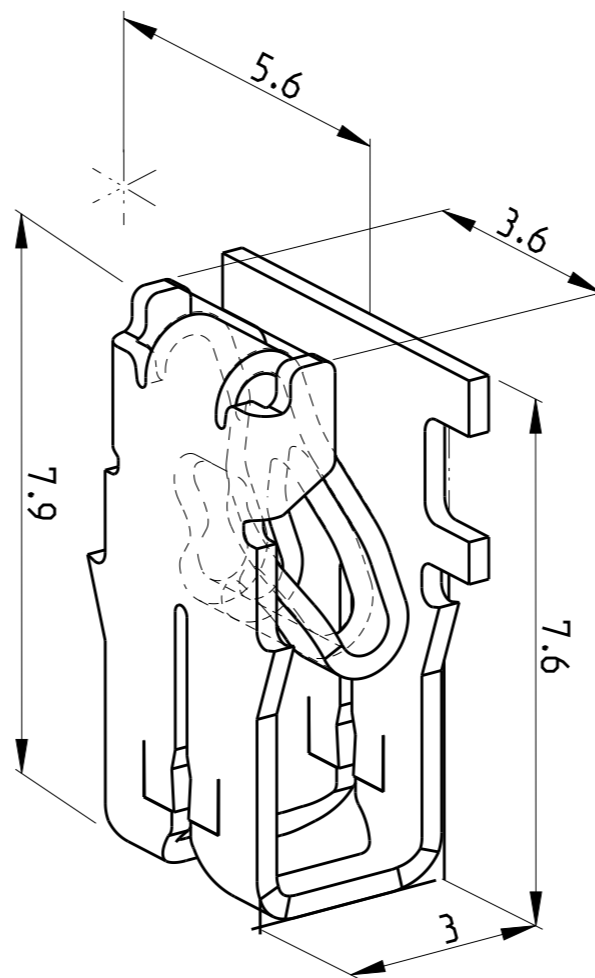
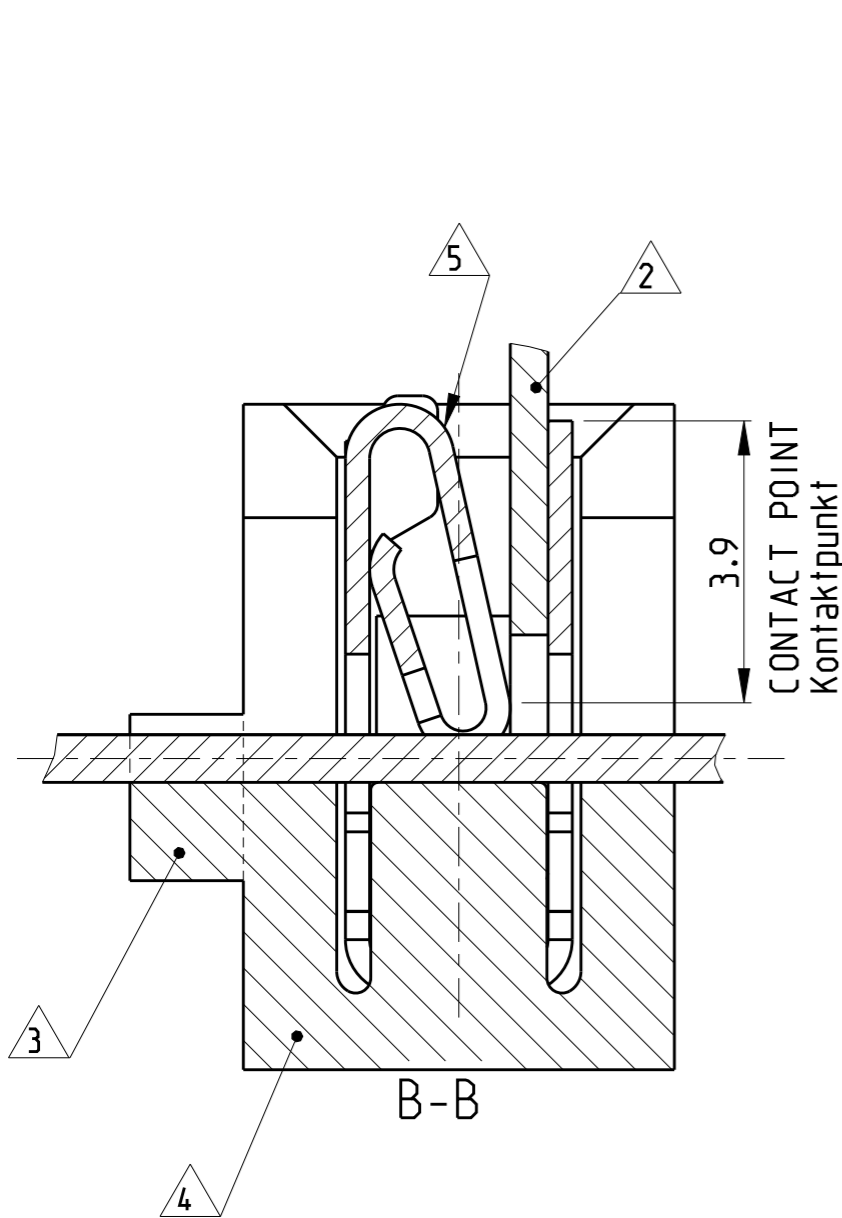


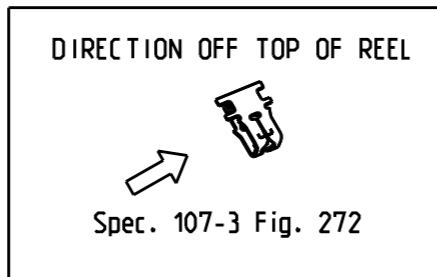
THIS DRAWING IS UNPUBLISHED  
 RELEASED FOR PUBLICATION  
 2008  
 ALL RIGHTS RESERVED.

LOC	DIST	REVISIONS			
P	LTR	DESCRIPTION	DATE	DWN	APVD
	C	REVISED PER ECR-19-009725	03JUL2019	BDA	SV
	C1	REVISED PER ECR-19-015041	06NOV2019	PC	MB



- 1 SLOT ACCEPTS:  
SINGLE OR DOUBLE MAGNET WIRE  
SAME DIAMETERS 0.40...0.63 mm DIA  
Kontakt geeignet für Lackdraht:  
Lackdraht  $\varnothing$ 0.40...0.63 mm  
(Einzeldraht oder zwei Drähte gleichen Durchmessers)
- 2 POKE IN TAB TERMINAL 3.4x0.5mm  
Poke in Flachstecker 3.4x0.5mm
- 3 AREA WILL BE CUT BY TERMINATION  
Bereich wird beim Kontaktieren abgetrennt
- 4 CAVITY ACCORDING TO TE SPEC. 411-18512  
Kontakt Kammer nach TE Spec. 411-18512
- 5 IDENTIFICATION NO. FOR MAGNET WIRE RANGE (10)  
Kennziffer für Lackdrahtbereich (10)
- 6 REELED WITH INTERLEAVE PAPER.  
ABGEWICKELT MIT INTERLEAVE-PAPIER.

	1740149-6	B	-	CuNiSi	NICKEL	MAG MATE LEAF TERMINAL	-
	1740149-3	A	-	CuZn	PRE TINNED	MAG MATE LEAF TERMINAL	-
	1740149-2	B	-	CuNiSi	PRE TINNED	MAG MATE LEAF TERMINAL	-
OBSOLETE	<del>1740149-1</del>	B	-	CuNiSi	BLANK	MAG MATE LEAF TERMINAL	-
	PART NO	REV.	PCS.	MATERIAL	SURFACE COLOUR	DESCRIPTION	ITEM NO



THIS DRAWING IS A CONTROLLED DOCUMENT.

DIMENSIONS: mm	TOLERANCES UNLESS OTHERWISE SPECIFIED: 0 PLC $\pm$ 1 PLC $\pm$ 2 PLC $\pm$ 3 PLC $\pm$ 4 PLC $\pm$ ANGLES $\pm 1^\circ$	FINISH SEE TABLE	DWN H. Ballmert 06-02-04 CHK H. Ploesser 06-02-04 APVD -	PRODUCT SPEC 108-2012 APPLICATION SPEC 114-2046 WEIGHT -	NAME MAG MATE LEAF TERMINAL MARK II	SIZE A3	CAGE CODE 00779	DRAWING NO C-1740149	RESTRICTED TO
MATERIAL SEE TABLE	FINISH SEE TABLE								

CUSTOMER DRAWING SCALE 10:1 SHEET 1 OF 1 REV C1

单击下面可查看定价，库存，交付和生命周期等信息

[>>TE Connectivity\(泰科\)](#)