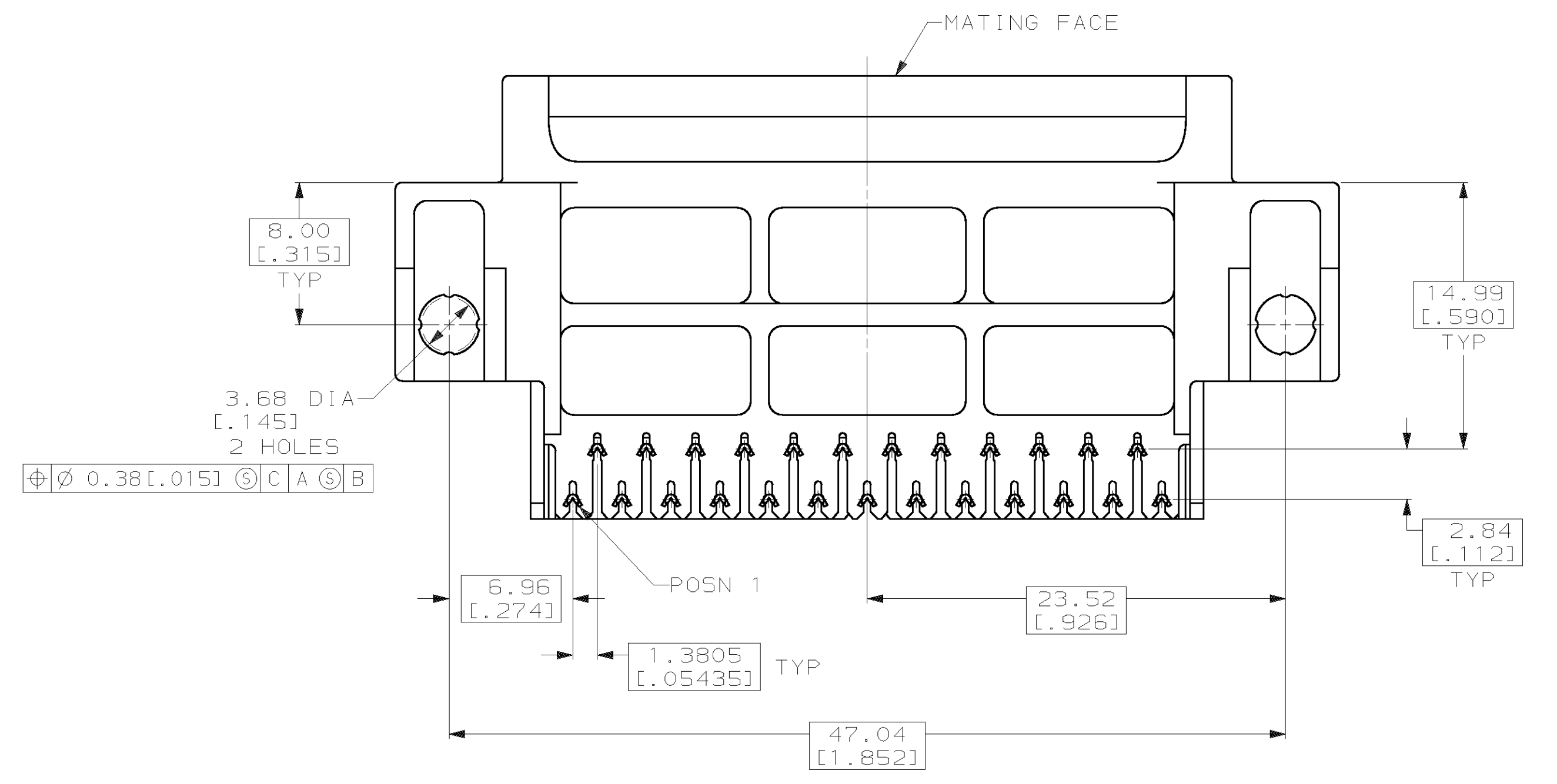
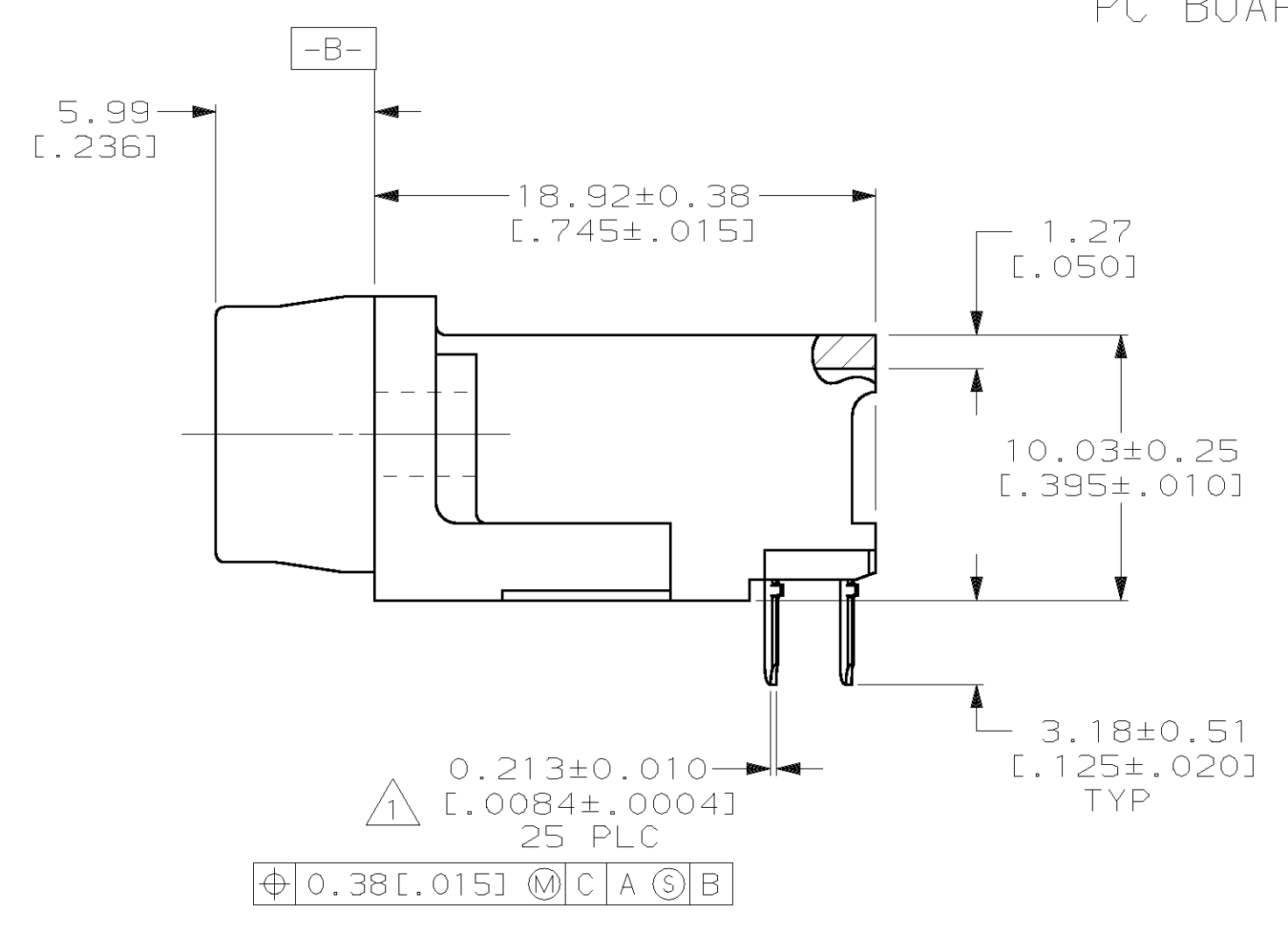
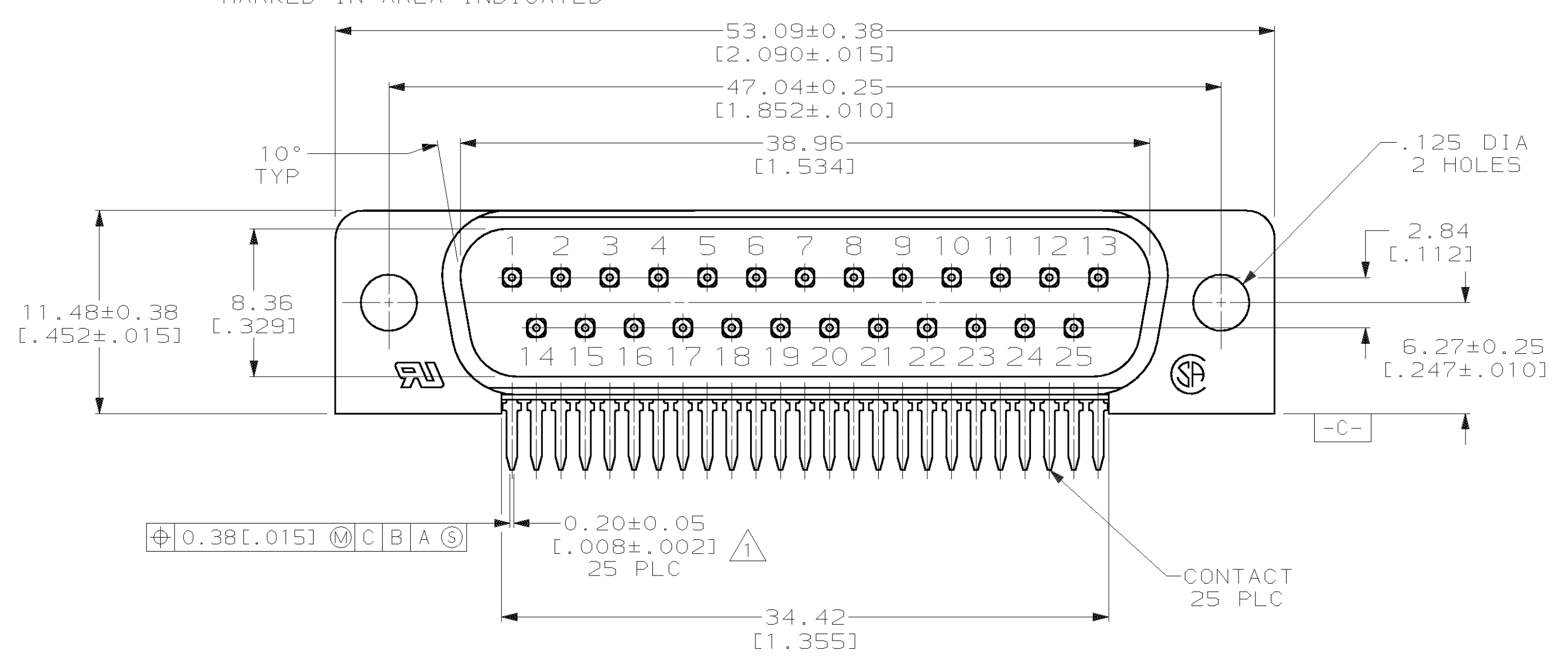
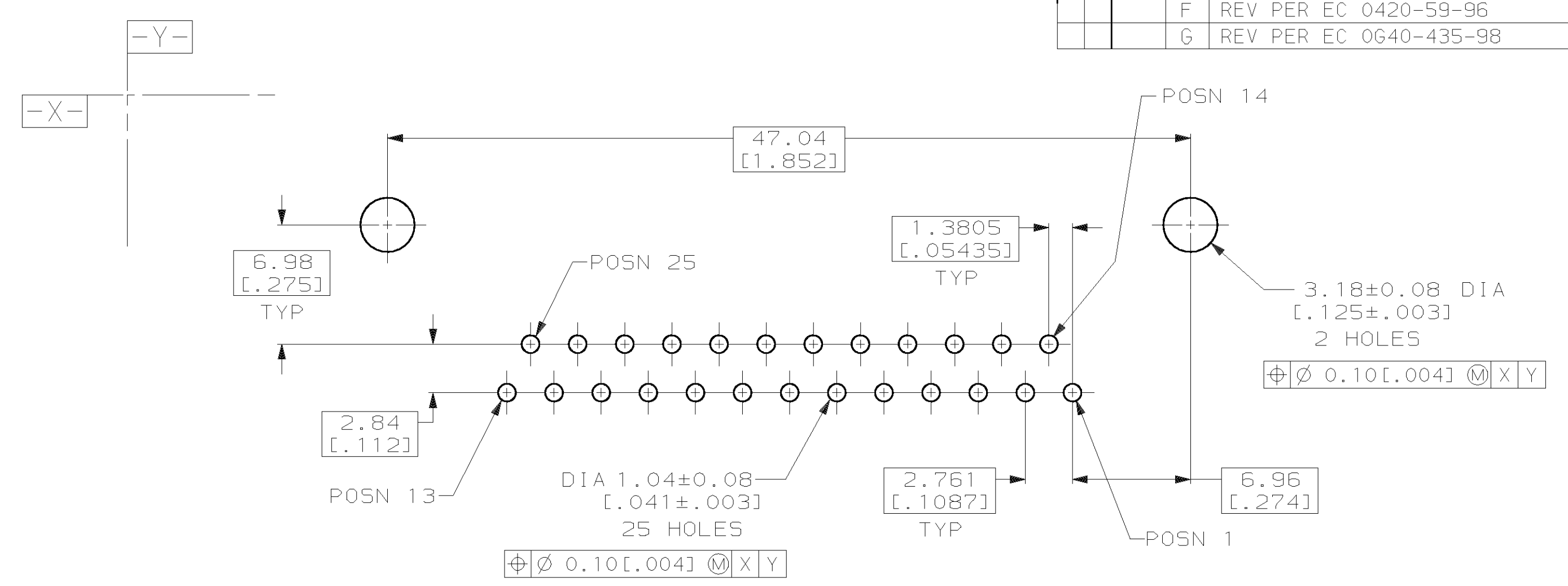
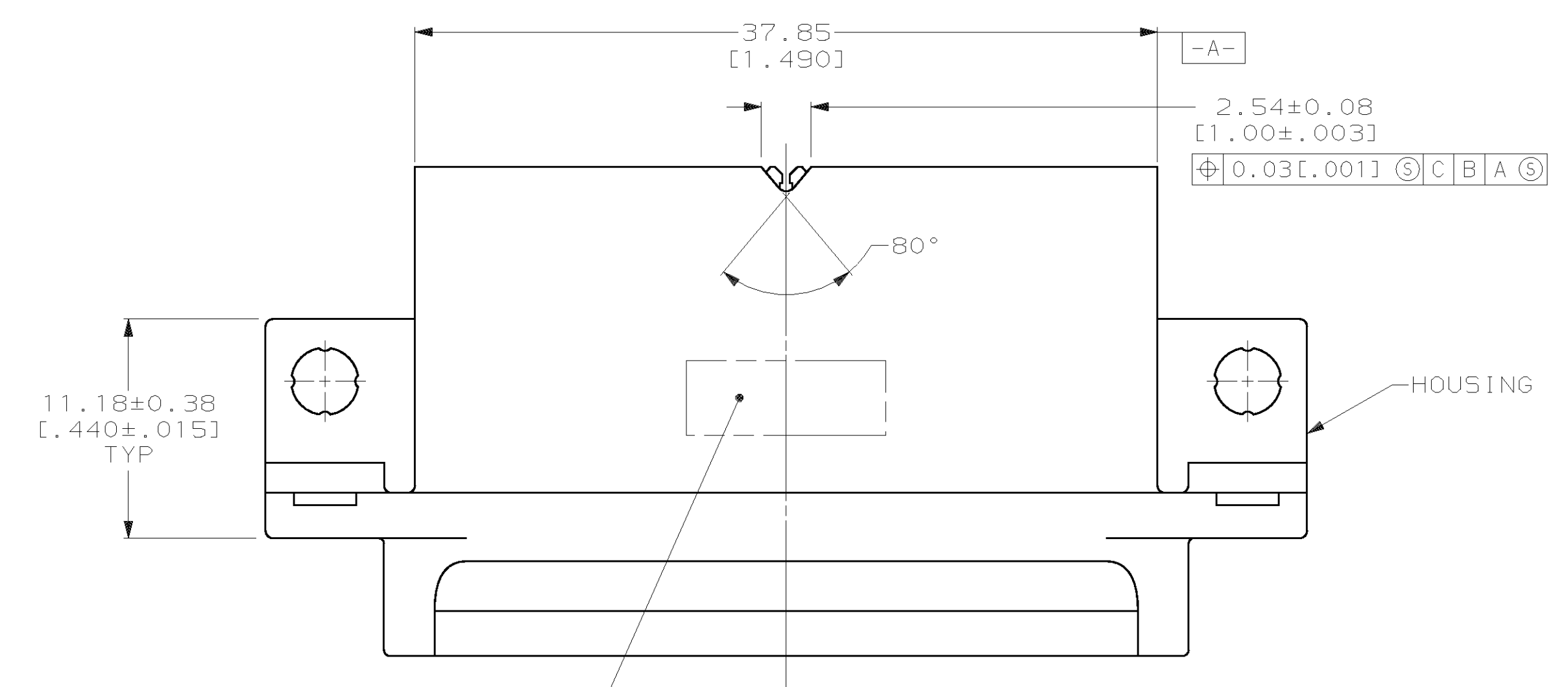


LOC	DIST	P	F	ZONE	LTR	DESCRIPTION	DATE	APPD
BD	77							
					E	REV PER EC 0020-1053-95	05 JAN 96	RLT
					F	REV PER EC 0420-59-96	20 SEP 96	RT
					G	REV PER EC 0640-435-98	17 MAR 99	RT



- ① POSITION TOLERANCE APPLIES AT TIP ONLY.
- ② NYLON OR POLYESTER, UL94V-0, BLACK.
- ③ BRASS PER MIL-C-50
- ④ GOLD PLATING PER MIL-G-45204, NICKEL PLATING PER QQ-N-290, TIN PLATING PER MIL-T-10727.
- ⑤ GOLD PLATED FOR A LENGTH OF 3.81 [.150] MIN FROM MATING END, 0.76µm [.000030] MIN GOLD IN MATED AREA. 3.05µm [.000120] MIN TIN-LEAD FOR A LENGTH OF 3.68 [.145] MIN FROM OPPOSITE END, BOTH OVER 1.27µm [.000050] MIN NICKEL.
- ⑥ GOLD PLATED FOR A LENGTH OF 3.81 [.150] MIN FROM MATING END, GOLD FLASH IN MATED AREA. 3.05µm [.000120] MIN TIN-LEAD FOR A LENGTH OF 3.68 [.145] MIN FROM OPPOSITE END, BOTH OVER 1.27µm [.000050] MIN NICKEL.

⑤	748826-2
CONTACT FINISH	PART NO

DO NOT SCALE PRINT. UNLESS SPECIFIED DIMENSIONS IN mm [INCHES] TOLERANCES ON:		DR 02/16/90 S.WELDON		AMP INCORPORATED Harrisburg, Pa. 17105
2 PLC DEC ± 0.13 [.005]		CHK 3-6-90 R.STONE		
3 PLC DEC ± -		APPD 3-8-90 J.SWAIN		NAME
ANGLES ± 2°		APPD 3-8-90 C.ROHDE		PLUG ASSEMBLY, SIZE 3, 25 POSN, ALL PLASTIC, RIGHT ANGLE, .590 SERIES, AMPLIMITE® III
MATERIAL HOUSING: ② CONTACTS: ③		PRODUCT SPEC 108-1226		SIZE
FINISH ④		APPLICATION SPEC 114-40027		CAGE CODE 00779
CONTACTS: SEE TABLE		WEIGHT -		DRAWING NO 748826
				SCALE 4:1
				SHEET 1 OF 1

单击下面可查看定价，库存，交付和生命周期等信息

[>>TE Connectivity\(泰科\)](#)