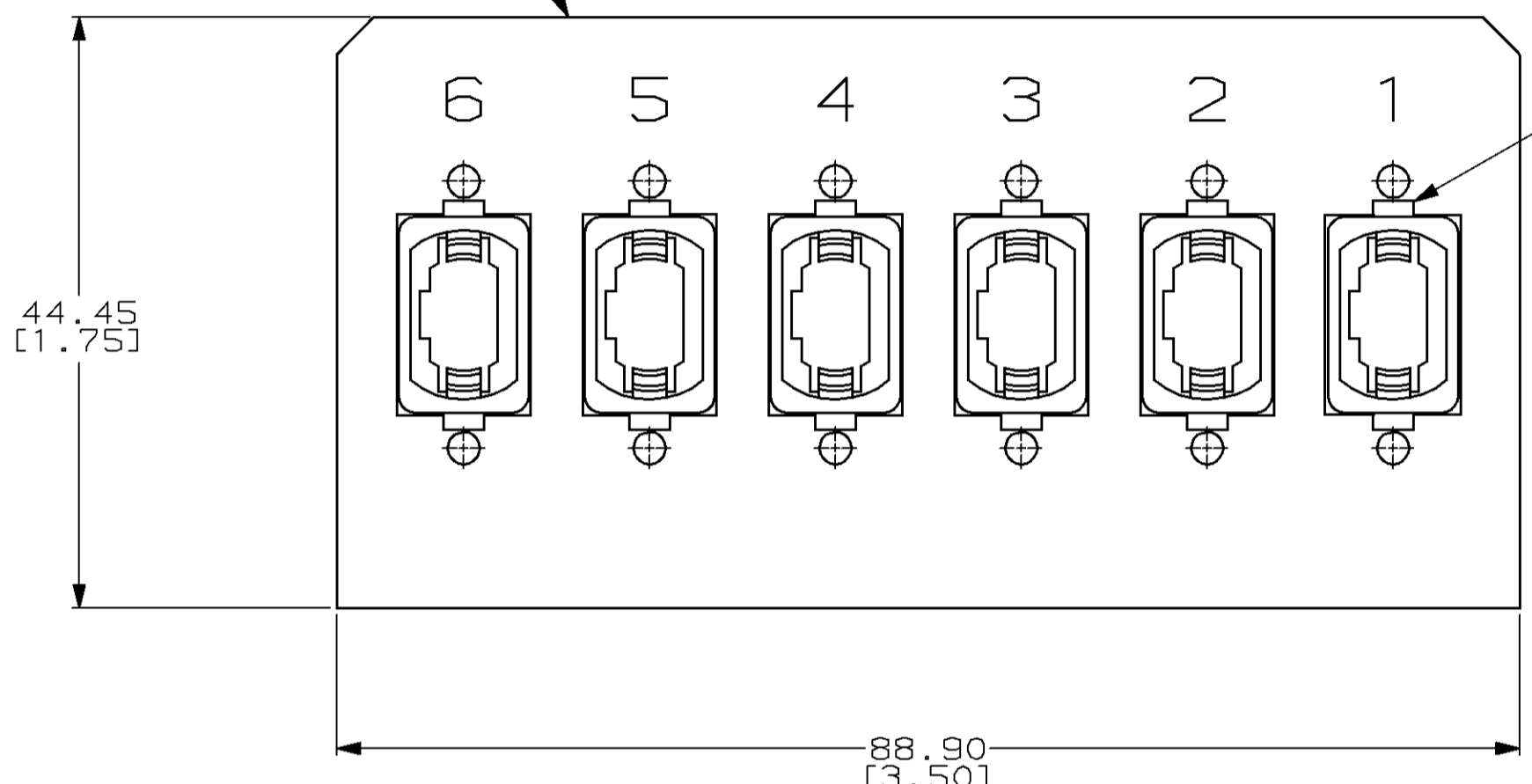


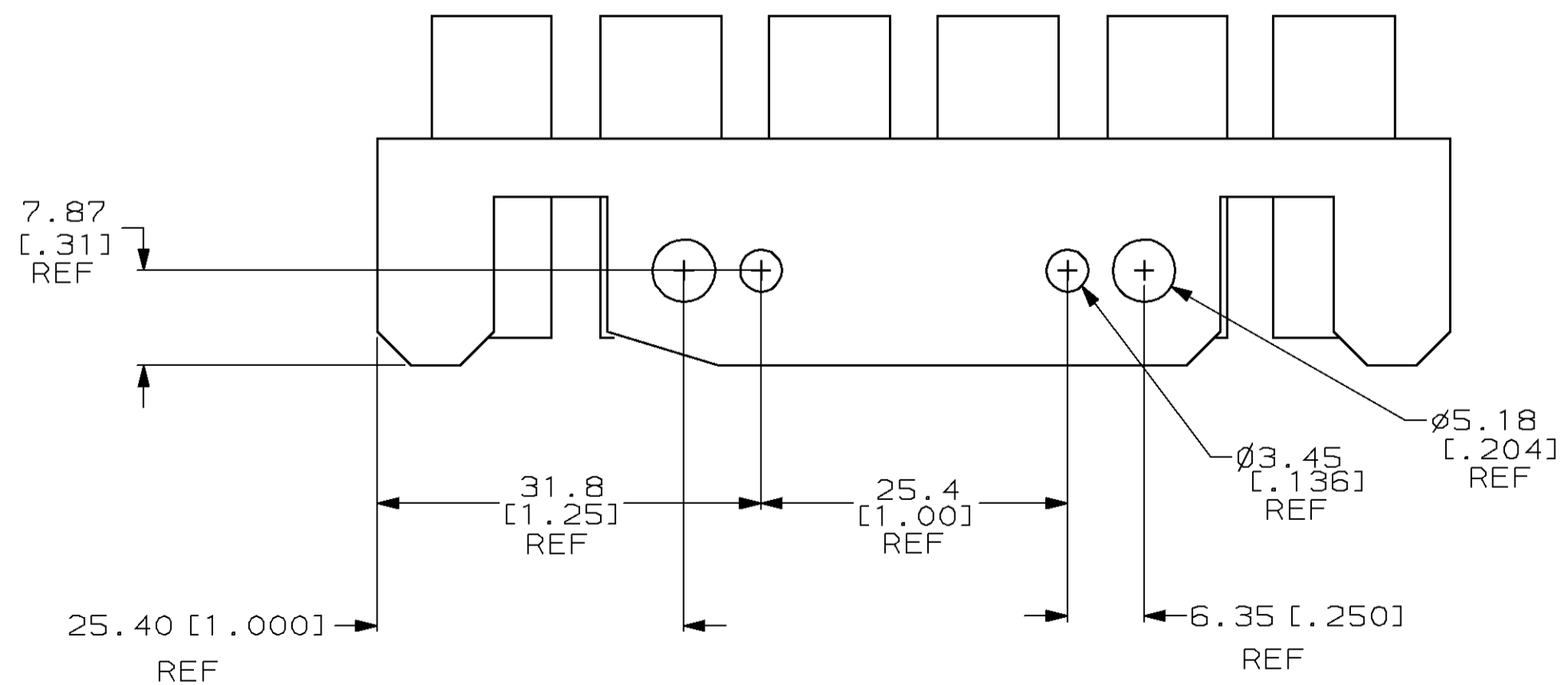
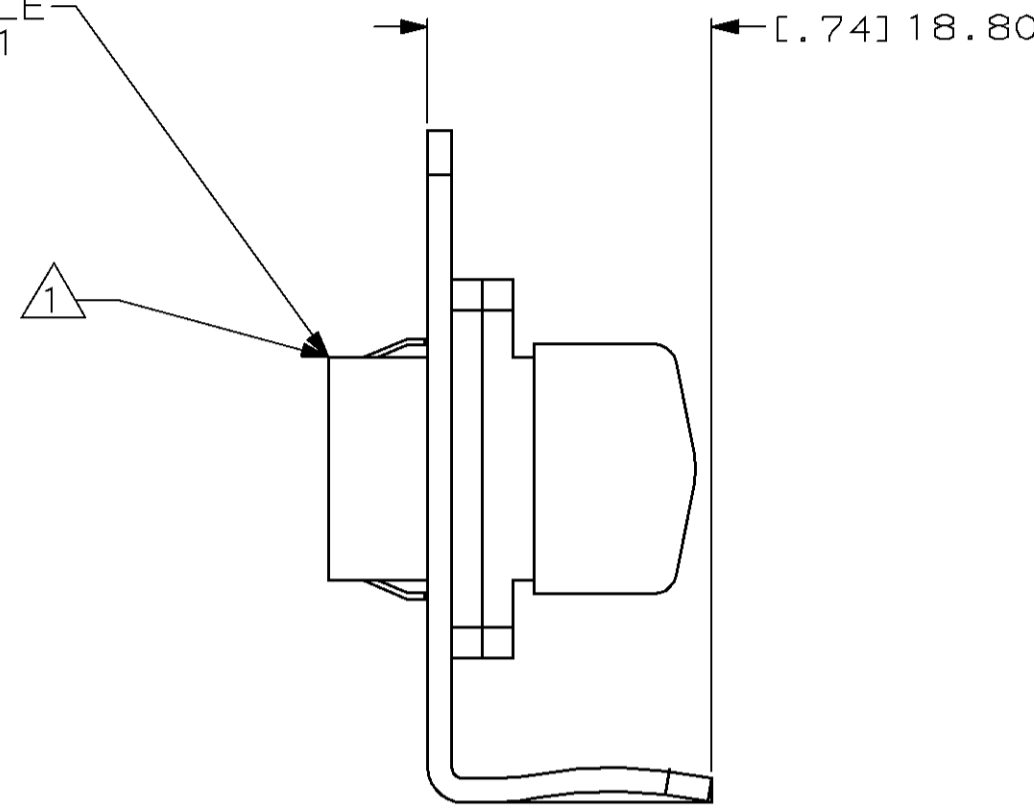
THIS DRAWING IS UNPUBLISHED. RELEASED FOR PUBLICATION
 BY AMP INCORPORATED. ALL RIGHTS RESERVED.

LOC	DIST	REVISIONS			
P	LTR	DESCRIPTION	DATE	DWN	APVD
CE	16	D	REV PER 0A00-0434-98	11AUG98	MW MB

TOP OF MOUNTING BRACKET



MPO RECEPTACLE
P/N: 503810-1



- ① WHITE MARKING TO BE FACING TOWARDS TOP OF BRACKET.
- ② BRACKET LOADED WITH (3) MPO RECEPTACLES, IN POSITIONS 1, 2, AND 3. (NOT SHOWN)

②	504621-2
	504621-1
	PART NUMBER

<small>THIS DRAWING IS A CONTROLLED DOCUMENT FOR AMP INCORPORATED. IT IS SUBJECT TO CHANGE AND THE CONTROLLING ENGINEERING ORGANIZATION SHOULD BE CONTACTED FOR THE LATEST REVISION.</small>		DWN	R.HILEMAN	6-6-95	AMP Incorporated Harrisburg, PA 17105-3608
DIMENSIONS: mm [INCHES]		CHK	J.SABO	6-7-95	
TOLERANCES UNLESS OTHERWISE SPECIFIED: 0 PLC ±- 1 PLC ±- 2 PLC ±0.76 [.03] 3 PLC ±- 4 PLC ±- ANGLES ±- FINISH -		APVD	F.ABENDSCHEIN	6-7-95	NAME
		PRODUCT SPEC		BRACKET ASSEMBLY, MPO RECEPTACLE	
MATERIAL -		APPLICATION SPEC		SIZE	A2
		WEIGHT -		CAGE CODE	00779
		CUSTOMER DRAWING		DRAWING NO	C-504621
		SCALE 2:1		SHEET 1 OF 1	REV D

504621

A

单击下面可查看定价，库存，交付和生命周期等信息

[>>TE Connectivity\(泰科\)](#)