

THIS DRAWING IS UNPUBLISHED.

RELEASED FOR PUBLICATION

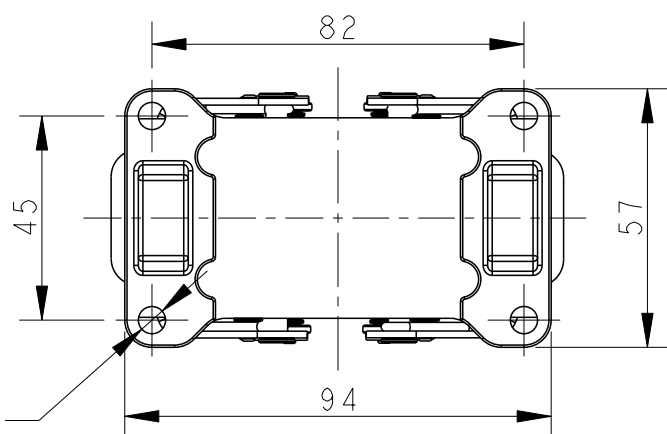
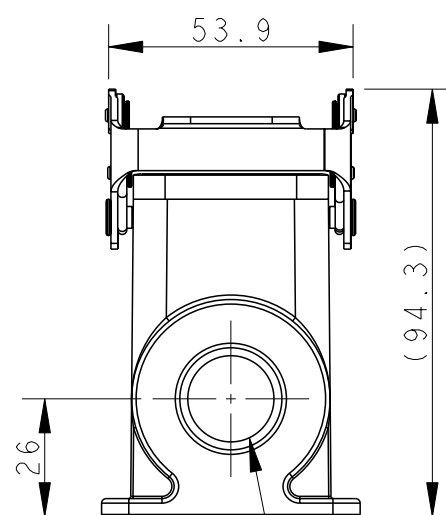
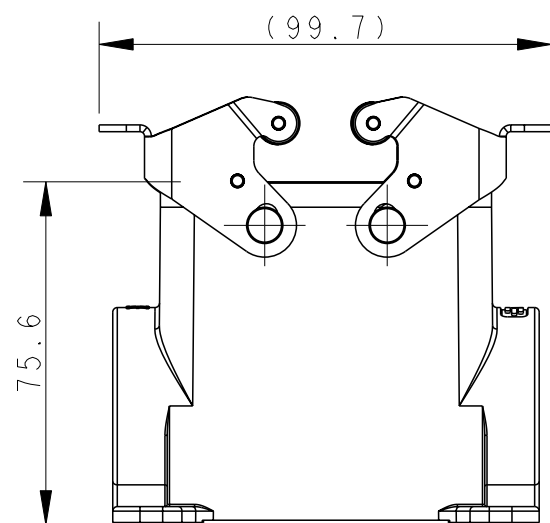
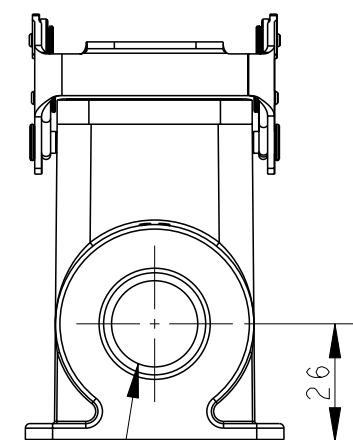
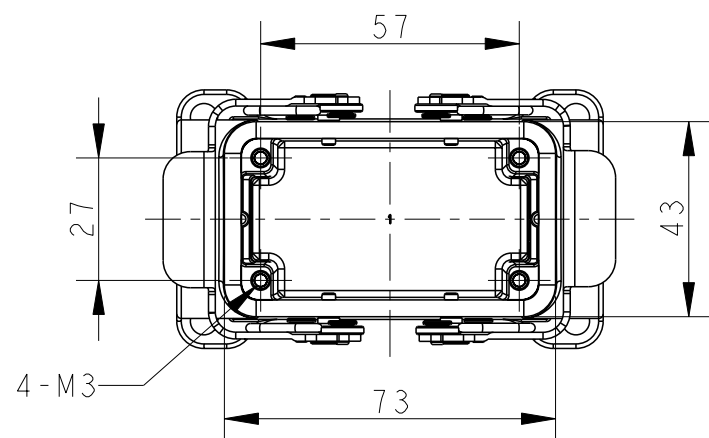
20

© COPYRIGHT 20 BY -

ALL RIGHTS RESERVED.

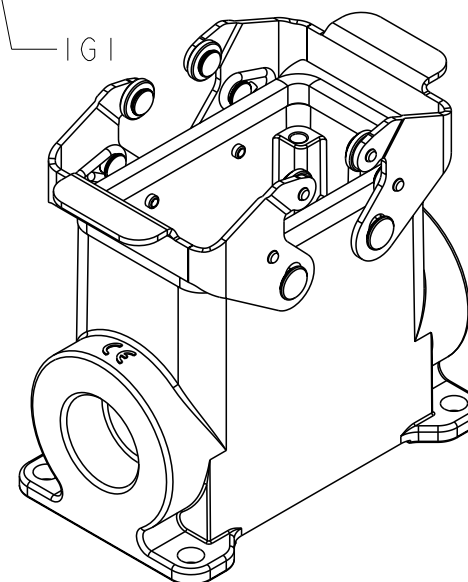
REVISIONS

P	LTR	DESCRIPTION	DATE	DWN	APVD
A		INITIAL RELEASE	25JUN2015	DL	CW
B		ECR-20-008181	13JUL2020	WQR	CW
BI		ECR-23-195948	27DEC2023	SC	CW



NOTES:
 1. TECHNICAL CHARACTERISTICS:
 BODY MATERIAL: DIE CAST ALUMINIUM ALLOY
 SURFACE TREATMENT: POWDER-COATED, GRAY
 DEGREE OF PROTECTION: IP65 (MATED)

注释:
 1. 技术参数:
 主体材料: 铝合金
 表面处理: 粉末喷涂, 灰色
 防护等级: IP65(配合)



TYPE I: HIGH BODY + DOUBLE STAINLESS STEEL LOCKING

TI470101225-000	TYPE I	H10B-SGRHS-2M25	M25	M25
TI470101121-000		H10B-SGRHS-PG21	PG21	-
TI470101129-000		H10B-SGRHS-PG29	PG29	-
TI470101132-000		H10B-SGRHS-M32	M32	-
TI470101221-000		H10B-SGRHS-2PG21	PG21	PG21
TI470101229-000		H10B-SGRHS-2PG29	PG29	PG29
TI470101232-000		H10B-SGRHS-2M32	M32	M32
ASSEMBLY PART NUMBER		TYPE	ASSEMBLY PART DESCRIPTION	IG1

THIS DRAWING IS A CONTROLLED DOCUMENT.		DWN	25JUN2015	TE TE Connectivity												
		CHK	25JUN2015													
		APVD	25JUN2015													
		PRODUCT SPEC	108-137013													
DIMENSIONS: mm		TOLERANCES UNLESS OTHERWISE SPECIFIED:		NAME												
<table border="0"> <tr><td>0 PLC</td><td>±-</td></tr> <tr><td>1 PLC</td><td>±-</td></tr> <tr><td>2 PLC</td><td>±-</td></tr> <tr><td>3 PLC</td><td>±-</td></tr> <tr><td>4 PLC</td><td>±-</td></tr> <tr><td>ANGLES</td><td>±-</td></tr> </table>		0 PLC	±-	1 PLC	±-	2 PLC	±-	3 PLC	±-	4 PLC	±-	ANGLES	±-	APPLICATION SPEC		H10B-SGRHS-PG/M
0 PLC	±-															
1 PLC	±-															
2 PLC	±-															
3 PLC	±-															
4 PLC	±-															
ANGLES	±-															
MATERIAL TBD		FINISH -		SIZE												
		WEIGHT -		CAGE CODE												
		CUSTOMER DRAWING		DRAWING NO												
				RESTRICTED TO												
				SCALE												
				SHEET												
				REV												
				1 OF 2												
				BI												

printed on 29 Dec 2023 09:57 (China Standard Time) from TE568938

A

D

THIS DRAWING IS UNPUBLISHED.

RELEASED FOR PUBLICATION

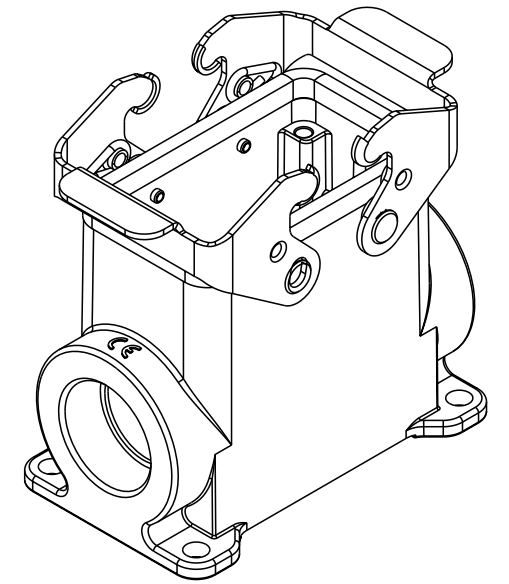
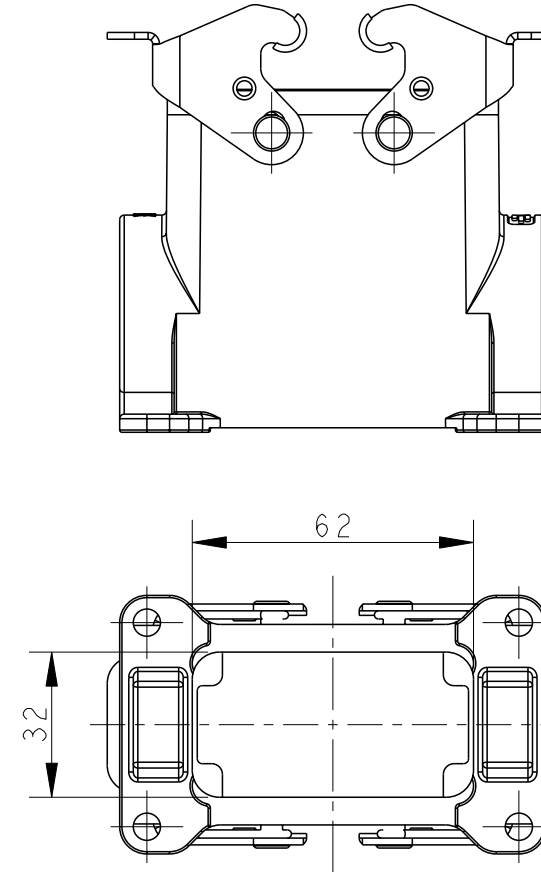
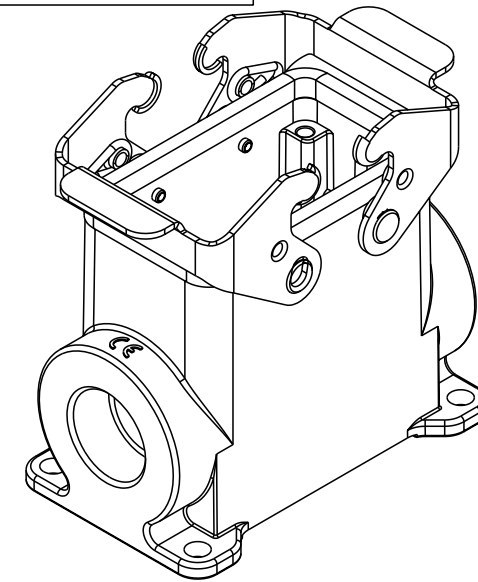
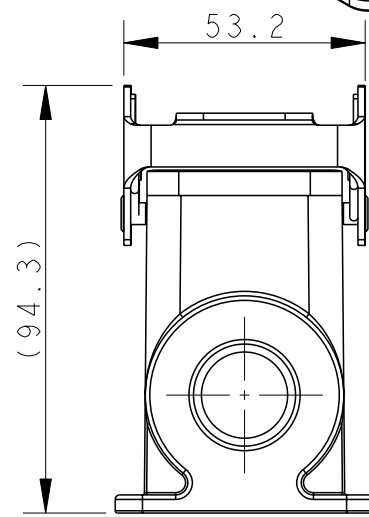
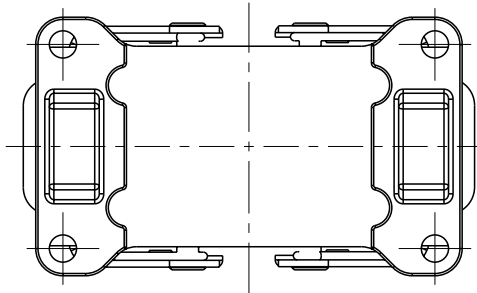
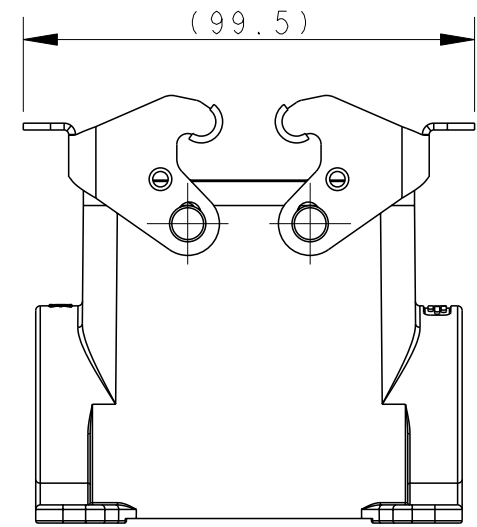
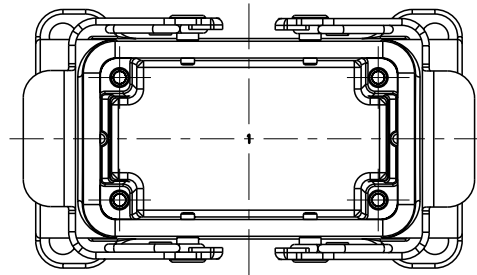
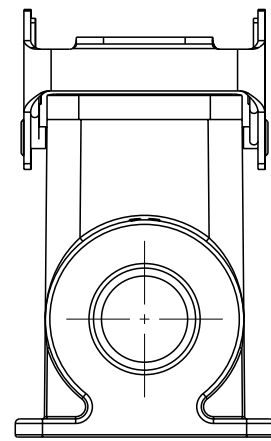
20

© COPYRIGHT 20 BY -

ALL RIGHTS RESERVED.

REVISIONS

P	LTR	DESCRIPTION	DATE	DWN	APVD
-	-	SEE SHEET 1	-	-	-



TYPE 2: HIGH BODY + DOUBLE STEEL LOCKING
OTHER SPEC REFER TO TYPE 1

TYPE 3: HIGH BODY + DOUBLE STEEL LOCKING
BOTTOM CUT OUT
OTHER SPEC REFER TO TYPE 2

T1470102116-000	TYPE 2	H10B-SGRH-PG16	PG16	-
T1470102121-000		H10B-SGRH-PG21	PG21	-
T1470102125-000		H10B-SGRH-M25	M25	-
T1470102129-000		H10B-SGRH-PG29	PG29	-
T1470102132-000		H10B-SGRH-M32	M32	-
T1470102221-000		H10B-SGRH-2PG21	PG21	PG21
T1470102225-000		H10B-SGRH-2M25	M25	M25
T1470102229-000		H10B-SGRH-2PG29	PG29	PG29
T1470102232-000		H10B-SGRH-2M32	M32	M32
T1470100000-000		TYPE 3	H10B-SGRH	-
ASSEMBLY PART NUMBER	TYPE	ASSEMBLY PART DESCRIPTION	IG1	IG2

THIS DRAWING IS A CONTROLLED DOCUMENT.	
DIMENSIONS: mm	TOLERANCES UNLESS OTHERWISE SPECIFIED:
	0 PLC ±-
	1 PLC ±-
	2 PLC ±-
	3 PLC ±-
	4 PLC ±-
ANGLES ±-	FINISH
MATERIAL TBD	-

DWN DAVID LI 25JUN2015	 TE Connectivity	NAME H10B-SGRH-PG/M		
CHK CHRIS WANG 25JUN2015				
APVD XU XIANG 25JUN2015				
PRODUCT SPEC 108-137013				
APPLICATION SPEC 114-137013	SIZE A3	CAGE CODE -	DRAWING NO C-T147010XXXX000	RESTRICTED TO
WEIGHT -	SCALE 3:5	SHEET 2 OF 2	REV B1	
CUSTOMER DRAWING				

printed on 29 Dec 2023 09:57 (China Standard Time) from TE568938

A

A

D

D

C

B

单击下面可查看定价，库存，交付和生命周期等信息

[>>TE Connectivity\(泰科\)](#)