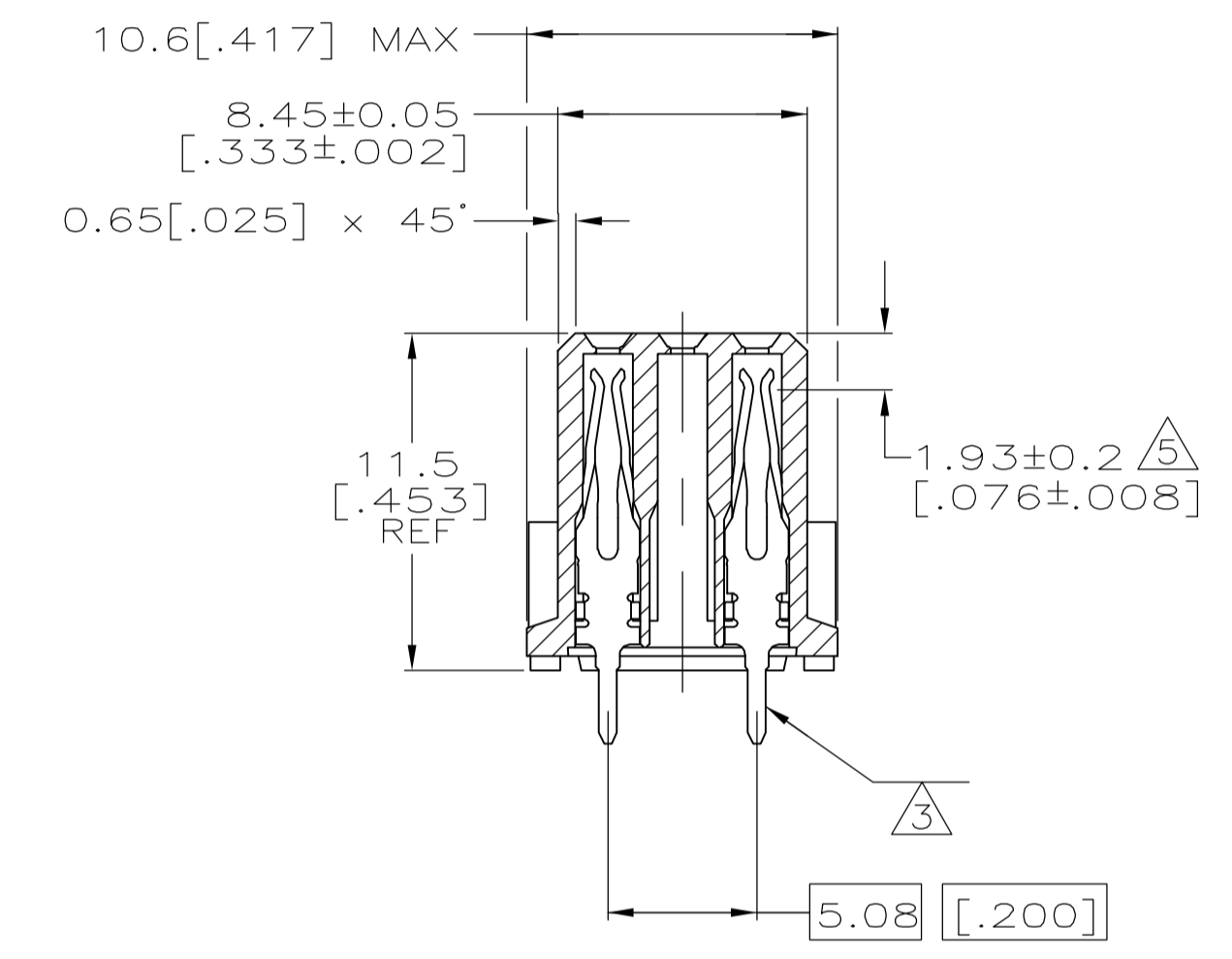
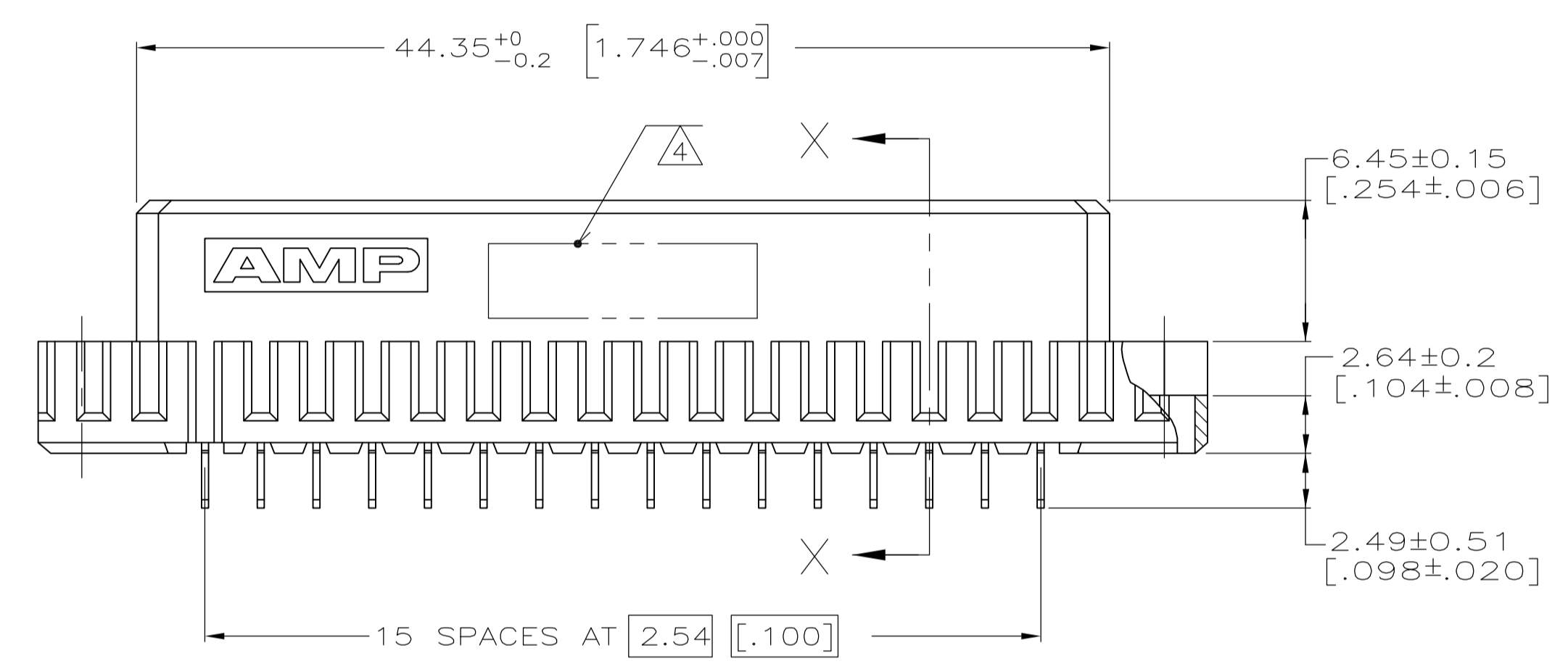
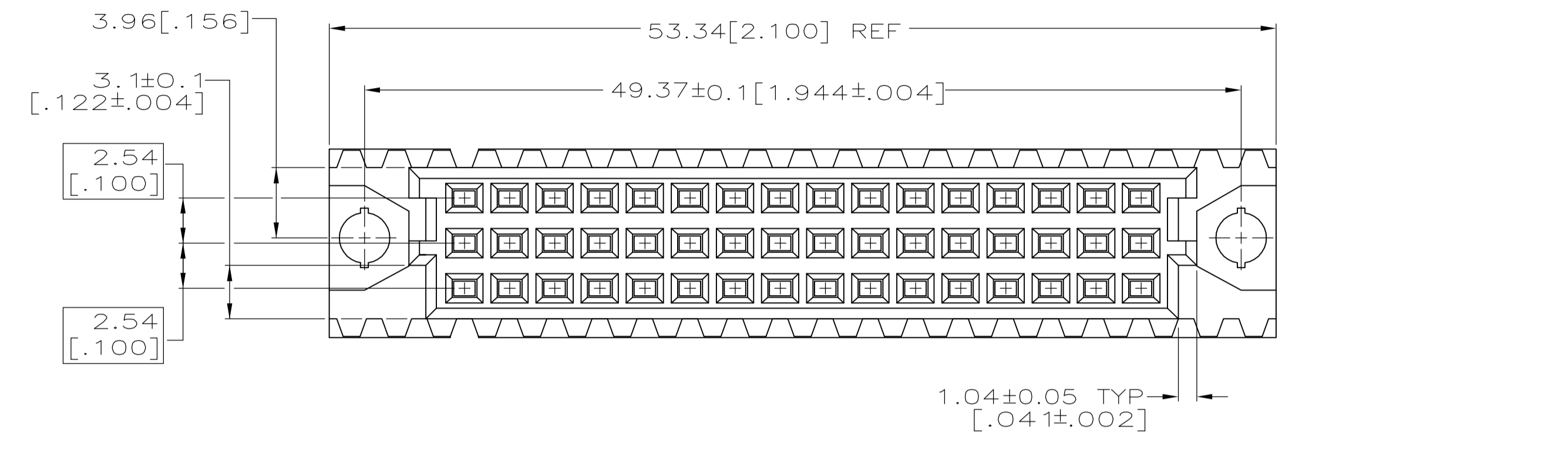
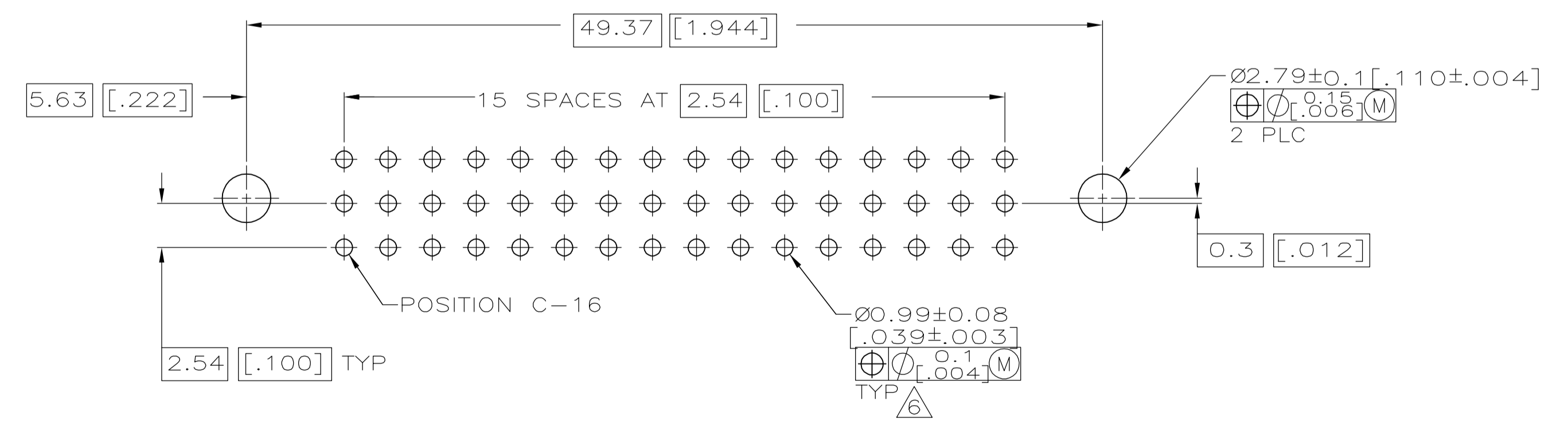
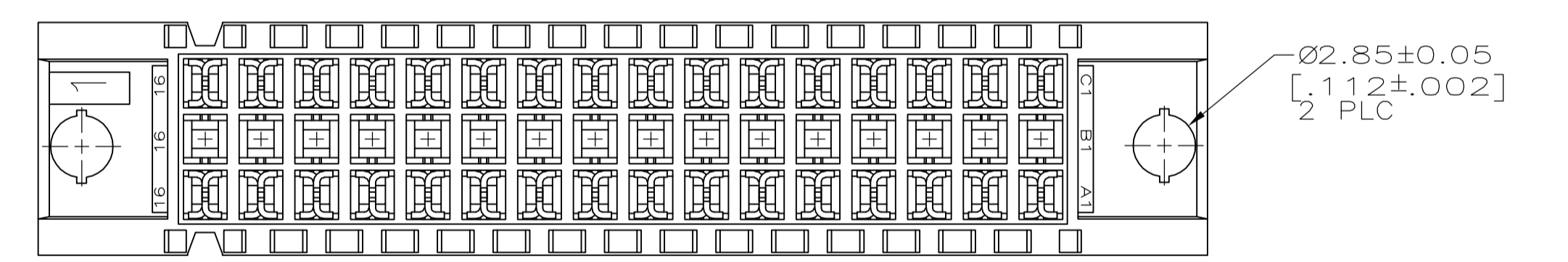


- 1 HOUSING MATERIAL: GLASS-FILLED POLYMER.
- 2 CONTACT MATERIAL: COPPER ALLOY.
- 3 CONTACT FINISH: DIN 41612 CLASS 2 IN CONTACT AREA. TIN PLATE ON POSTS.
- 4 PART NUMBER, DATE CODE IDENTIFICATION, CSA LOGO IN THIS APPROXIMATE AREA.
- 5 CONTACT POINT.
- 6 RECOMMENDED HOLE SIZE FOR MANUAL APPLICATION OF CONNECTOR ONTO PC BOARD.



SECTION X-X



PC BOARD LAYOUT

1 THRU 16	X	-	X	32	5650459-5
POSITIONS LOADED	C	B	A	NO. OF LOADED POSITIONS	ASSY PART NUMBER
				ROWS LOADED	

THIS DRAWING IS A CONTROLLED DOCUMENT.		DIN J. POLIGNONE 27MAY05		Tyco Electronics Corporation	
DIMENSIONS: mm [INCHES]		CIK A. SHARPE 27MAY05		Harrisburg, PA 17105-3608	
TOLERANCES UNLESS OTHERWISE SPECIFIED:		APVO A. SHARPE 27MAY05		NAME ASSEMBLY, RECEPTACLE, EUROCARD, TYPE 1/2C, A and C, 32/48 POSITION, 2.49 [0.098] SOLDER POSTS	
0 PLC ± -	1 PLC ± -	2 PLC ± -	3 PLC ± 0.1 [0.005]	APPLICATION SPEC	RESTRICTED TO
4 PLC ± -	ANGLES ± -	SIZE A1		SCALE 4:1	SHEET 1 OF 1
MATERIAL		FINISH		WEIGHT	REV 0
CUSTOMER DRAWING		DRAWING NO. 00779		C=5650459	

单击下面可查看定价，库存，交付和生命周期等信息

[>>TE Connectivity\(泰科\)](#)