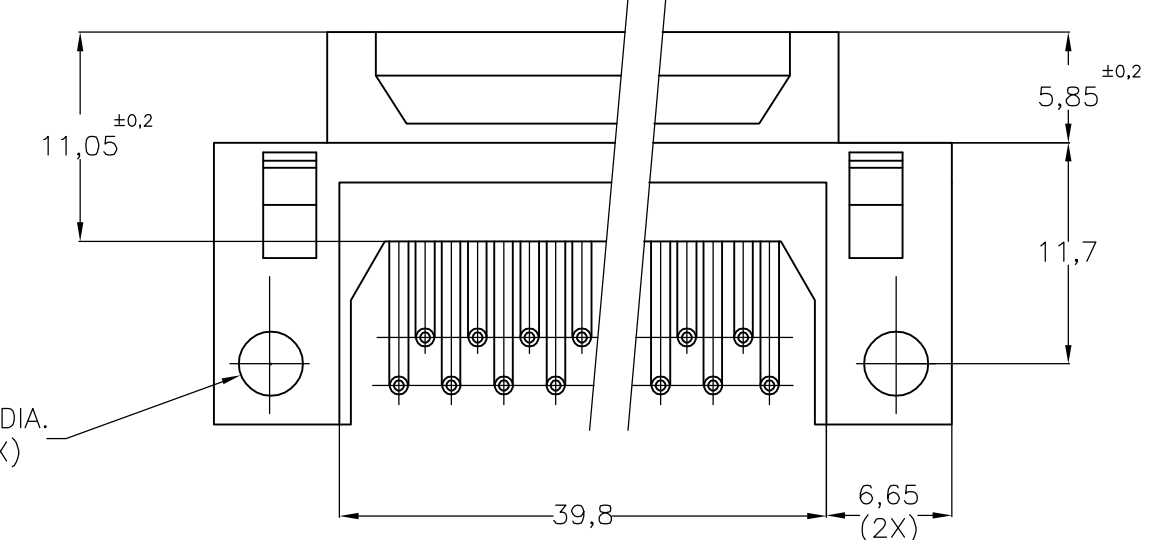
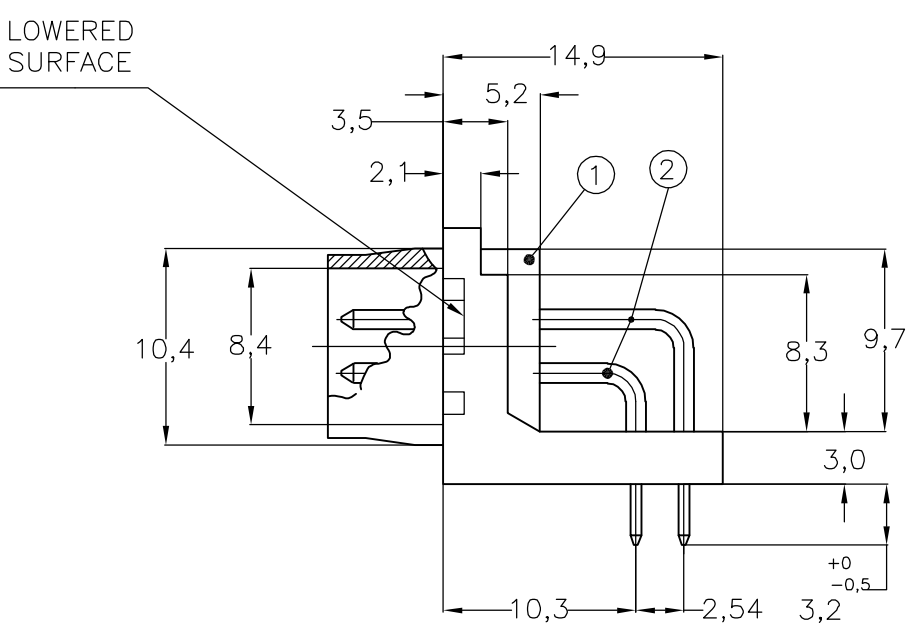
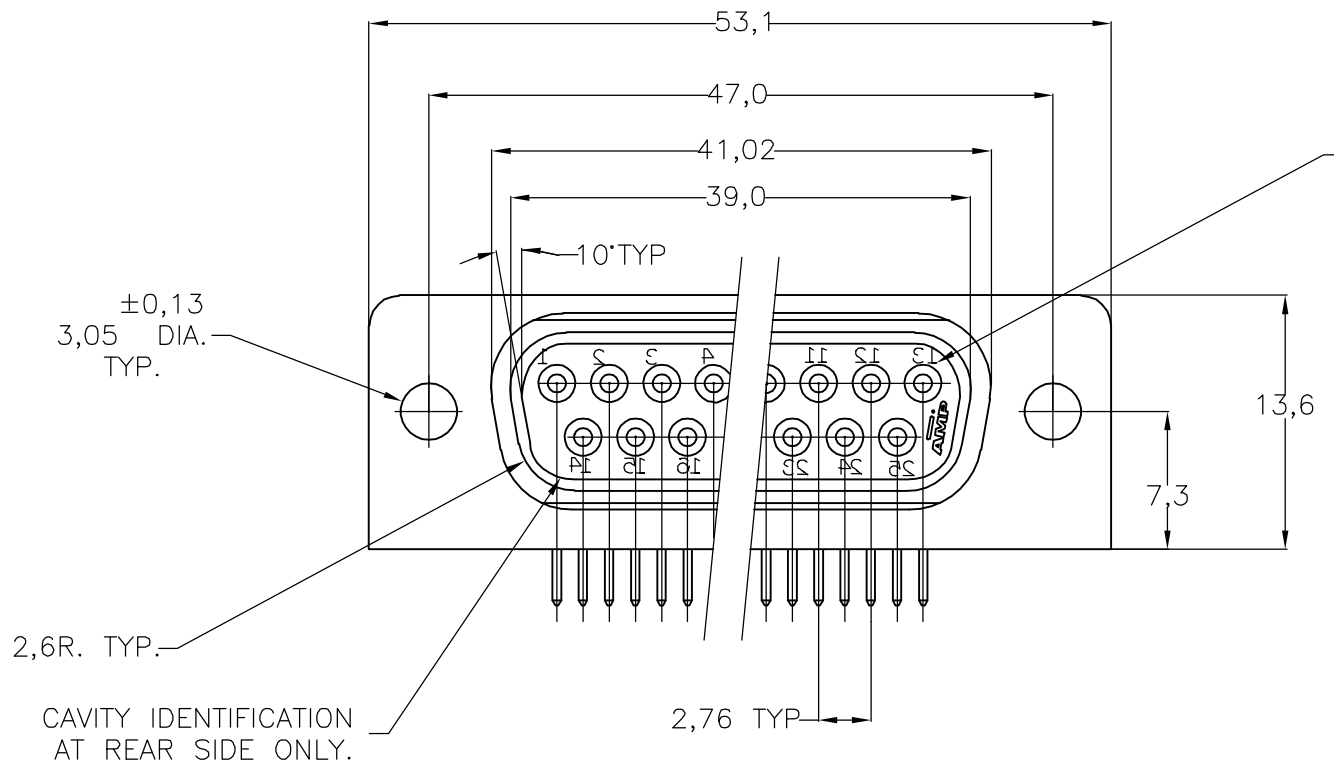
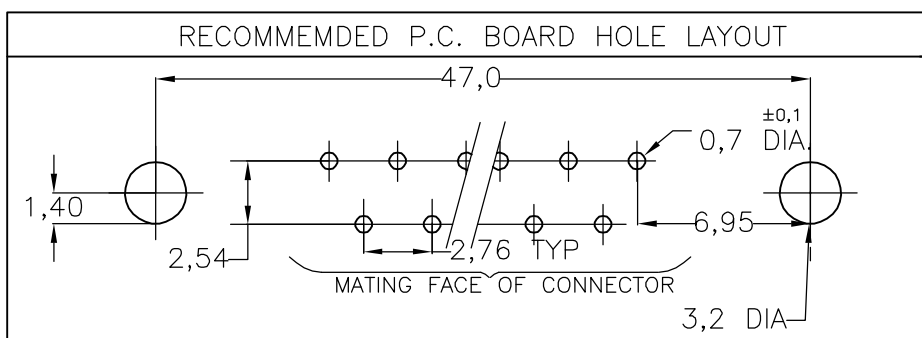


THIS DRAWING IS UNPUBLISHED. RELEASED FOR PUBLICATION
 © COPYRIGHT BY TYCO ELECTRONICS CORPORATION. ALL RIGHTS RESERVED.

LOC	DIST	REVISIONS					
		P	LTR	DESCRIPTION	DATE	DWN	APVD
			G	EHCO-0317-04	10-06-04	JvdH	-
			H	EHCO-0357-04	24-06-04	JvdH	-
			J	ECR-07-002492	12-02-07	BSV	MK



- NOTES:
- HOUSING: BLACK GLASSFILLED POLYESTER.
 - CONTACT MATERIAL: BRASS.
 PLATING: UNDERCOATING: 1,3um Ni.
 SELECTIVE: 1,3um Au.
 SOLDER PART: 2,5um BRIGHT TIN.



THIS DRAWING IS A CONTROLLED DOCUMENT.		DWN P.BEIJNON 03JAN90	Tyco Electronics Corporation s-HertogenBosch, Nederlands,	
DIMENSIONS: MM		CHK R.FIJTEN 10MAY00	NAME	
TOLERANCES UNLESS OTHERWISE SPECIFIED:		APVD R.FIJTEN 10MAY00	25 POS. HDP-20 PLUG ASS'Y RIGHT ANGLE, SIZE 3 MARK II, ALL-PLASTIC	
0 PLC ± -		PRODUCT SPEC	SIZE	RESTRICTED TO
1 PLC ± -		APPLICATION SPEC	CAGE CODE	
2 PLC ± -			DRAWING NO	
3 PLC ± -			A3 00779	
4 PLC ± -			C-216850	
ANGLES ± -		WEIGHT	CUSTOMER DRAWING	
FINISH			SCALE	SHEET 1 OF 1
			NTS	REV J

单击下面可查看定价，库存，交付和生命周期等信息

[>>TE Connectivity\(泰科\)](#)