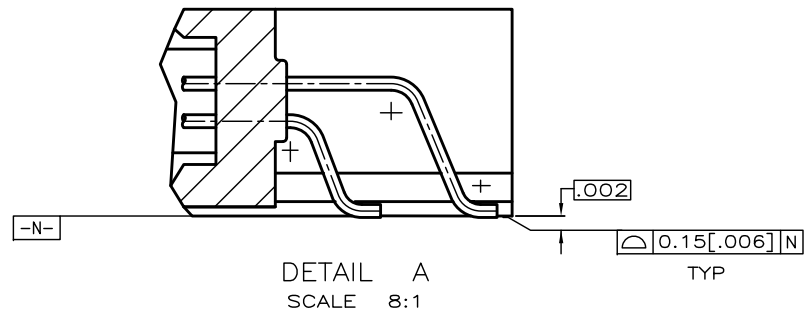


- 1 PIN: 0.00076[.000030] MINIMUM GOLD IN CONTACT AREA, 0.00381[.000150] MIN TIN ON SOLDER TAILS, ALL OVER 0.00127[.000050] MINIMUM NICKEL
- 2. CUSTOMER TO PROVIDE CARD GUIDANCE SYSTEM
- 3 DATUMS AND BASIC DIMENSIONS ESTABLISHED BY CUSTOMER
- 4. CONNECTOR REQUIRES USE OF 2 - SIZE 2M SCREWS FOR FASTENING TO PRINTED CIRCUIT BOARD
- 5 ASSEMBLY KEYED FOR 5 VOLT CARDS
- 6 ASSEMBLY KEYED FOR LOW VOLT CARDS (3.3V)
- 7 RECESSED AMP AND CSA LOGOS LOCATED ON BOTH SIDES OF HOUSING.
- 8 PACKAGE IN TRAYS, 9 X 17 INCH APPROXIMATE SIZE.
- 9 PACKAGE IN TRAYS, 9 X 12 INCH APPROXIMATE SIZE.
- 10 NO VOLTAGE IDENTIFICATION ON 5535651-5 KEYED FOR 5V CARDS.
- 11 NO VOLTAGE IDENTIFICATION ON 5535651-6. KEYED FOR LV CARDS.
- 12 HOUSING: LPC COLOR: BLACK PIN: BRASS.



OBSOLETE	11	TAPE AND REEL	1,17,34	ALL OTHER PINS	36,67	5535651-6
	10	TAPE AND REEL	1,17,34	ALL OTHER PINS	36,67	5535651-5
	9	TRAYS	1,17,34	ALL OTHER PINS	36,67	5535651-4
	8	TAPE AND REEL	1,17,34	ALL OTHER PINS	36,67	5535651-3
	7	TRAYS	1,17,34	ALL OTHER PINS	36,67	5535651-2
	6	TRAYS	1,17,34	ALL OTHER PINS	36,67	5535651-1
VOLTAGE KEYING & IDENTIFICATION		PACKAGING	5.0 [1.97]	4.25 [1.67]	3.5 [1.38]	PART NUMBER
			"L" (PIN LENGTH) AND LOCATION			

**COPYRIGHT 2005 TYCO ELECTRONICS CORP ALL RIGHTS RESERVED**

THIS DRAWING IS A CONTROLLED DOCUMENT.

DRAWN: L. VARELA - DOCKS	DATE: 03-23-05	NAME: M. WALSLEY
CHK: D.L. GORENC	DATE: 03-23-05	NAME: M. WALSLEY
APP: M. WALSLEY	DATE: 03-23-05	NAME: M. WALSLEY

Tyco Electronics Corporation  
 Harrisburg, PA 17105-3608

PIN HEADER ASSY, 68 POSN, TOP BOARD MTG, SURFACE MT, AMP MEMORY CARD

WEIGHT: 6.5 GRAMS  
 SIZE: A1  
 PART NUMBER: 5535651  
 SCALE: 4:1 SHEET 1 OF 1

单击下面可查看定价，库存，交付和生命周期等信息

[>>TE Connectivity\(泰科\)](#)