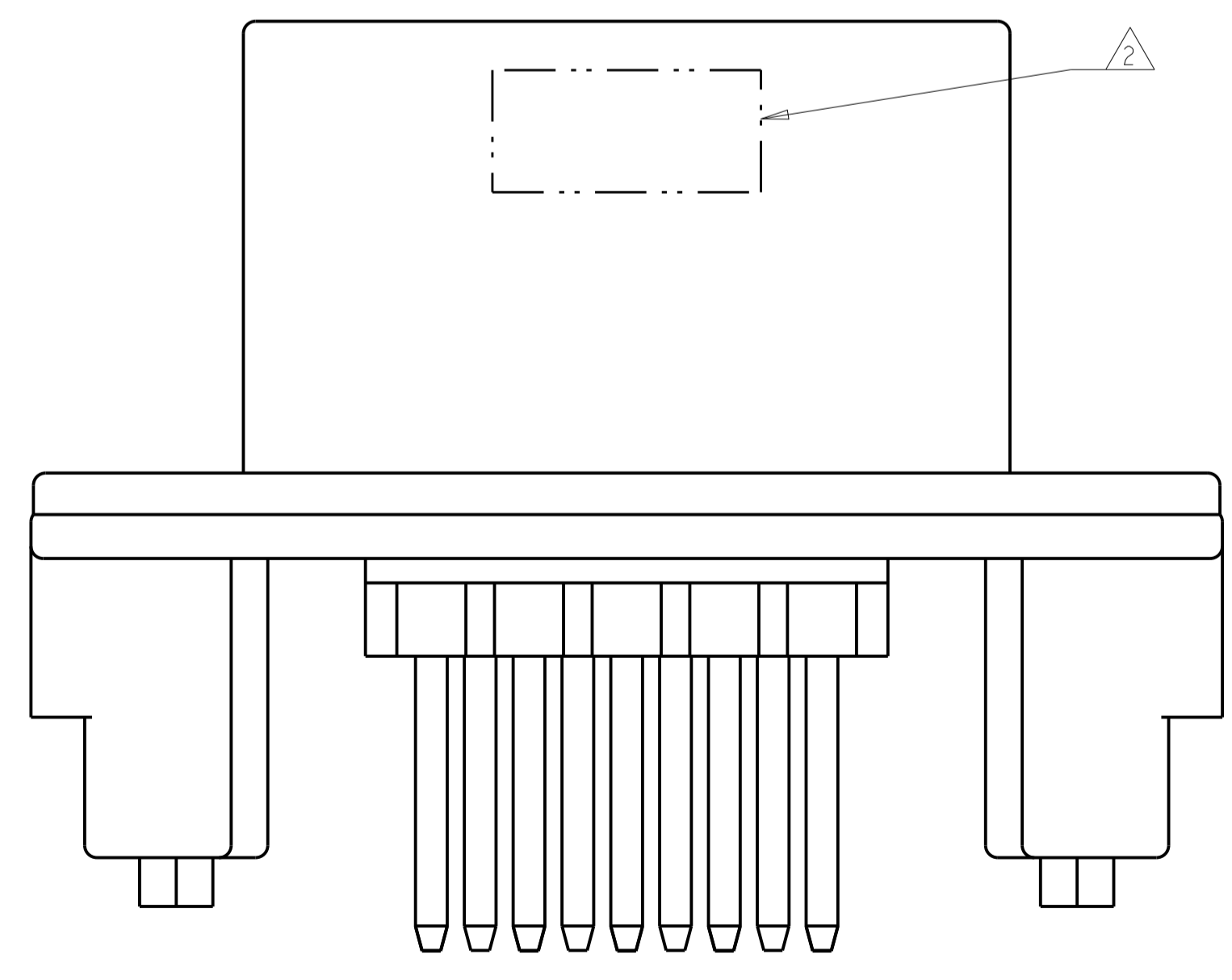
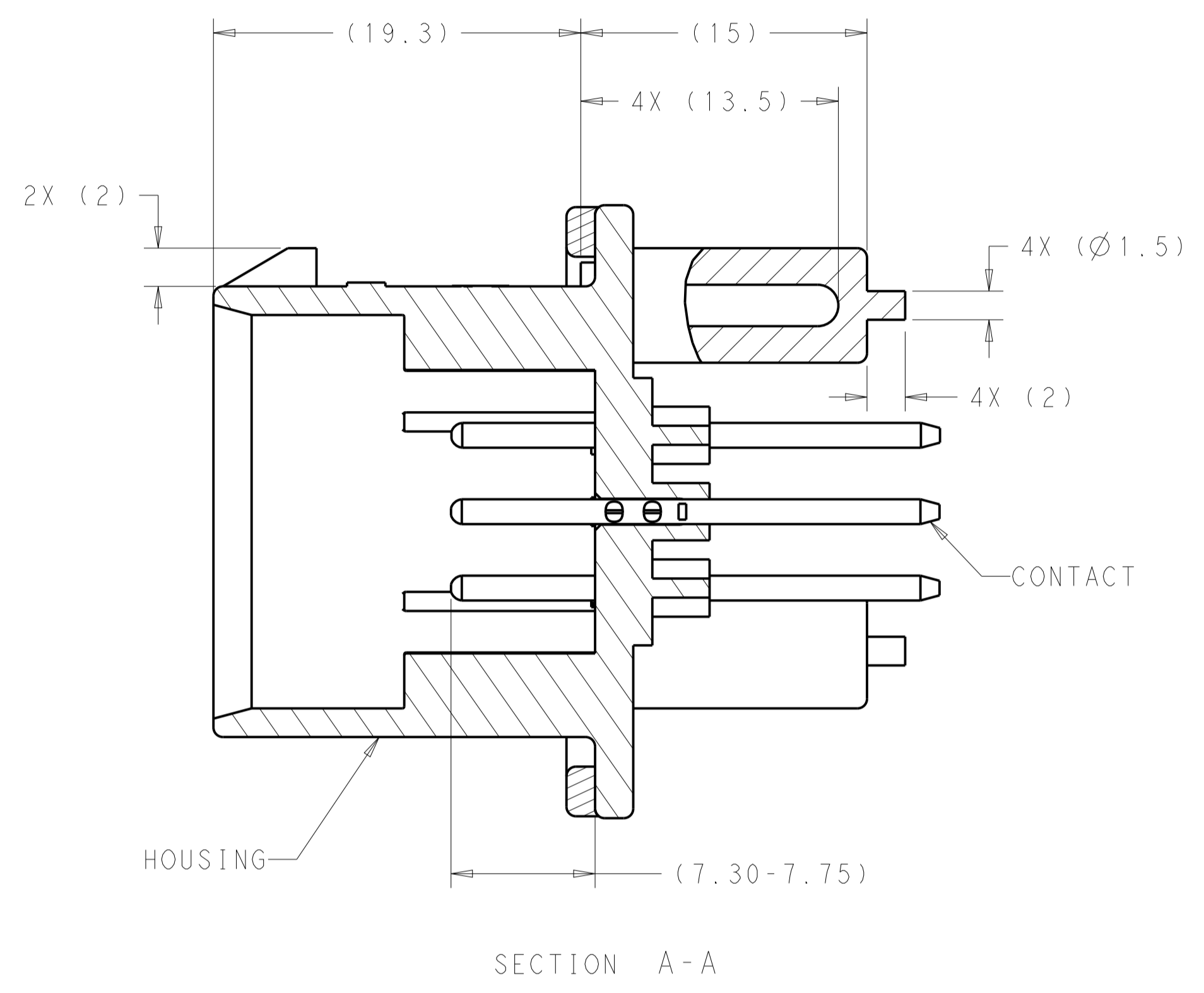
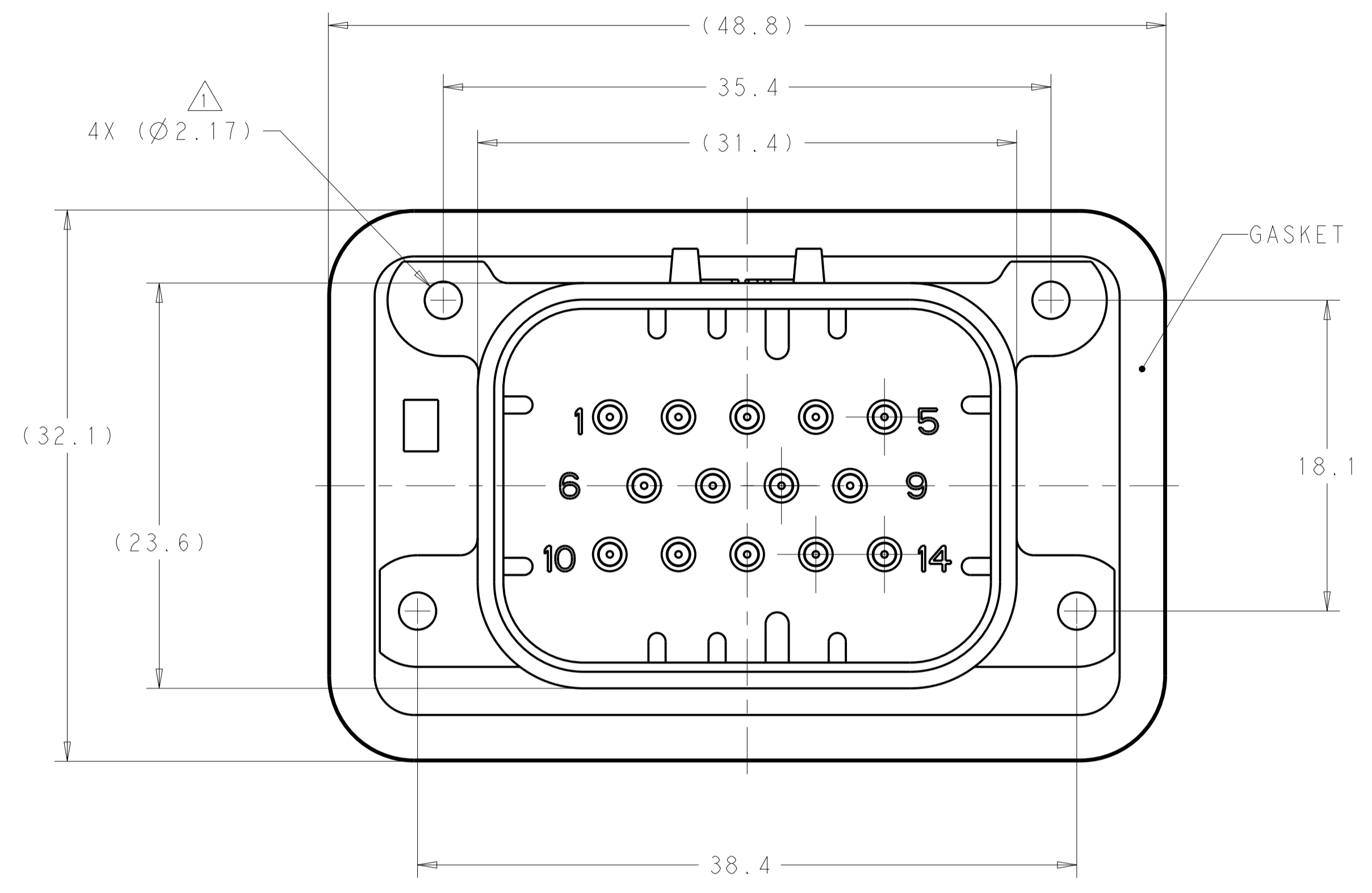


REVISIONS				
P.	LTN	DESCRIPTION	DATE	OWN APVD
	A12	REVISED PER ECO-21-001365	26 JAN 2021	DS DS

- 1 SUGGESTED MOUNTING SCREW SIZE IS  $\varnothing 2.50-3.00\text{mm}$  [ $\varnothing 0.099 - 0.118$  INCH] SELF TAPPING THREAD FORMING SCREW, SUCH AS DELTA PT, TO BE DRIVEN AT 0.6-0.8 N-m. THE CUSTOMER SHOULD TEST THE SCREW SIZE AND TYPE IN ORDER TO VERIFY THEIR SELECTION FOR THEIR APPLICATION
- 2 DATE CODE IN THIS LOCATION USING 5 DIGIT CODE. FIRST 2 DIGITS = YEAR, SECOND 2 DIGITS = WEEK, LAST DIGIT = DAY
- 3 MATERIALS: HEADER HOUSING - GLASS FILLED PBT, PINS - TIN OR GOLD PLATED BRASS, GASKET - SILICONE
- 4 HOUSING COLORS ARE MECHANICALLY KEYED TO MATE ONLY WITH IDENTICALLY COLORED PLUG ASSEMBLIES.
- 5. HEADER MATES TO PLUG ASSEMBLY 776273 WHICH USES REELED TERMINAL 770520 OR LOOSE PIECE TERMINAL 770854

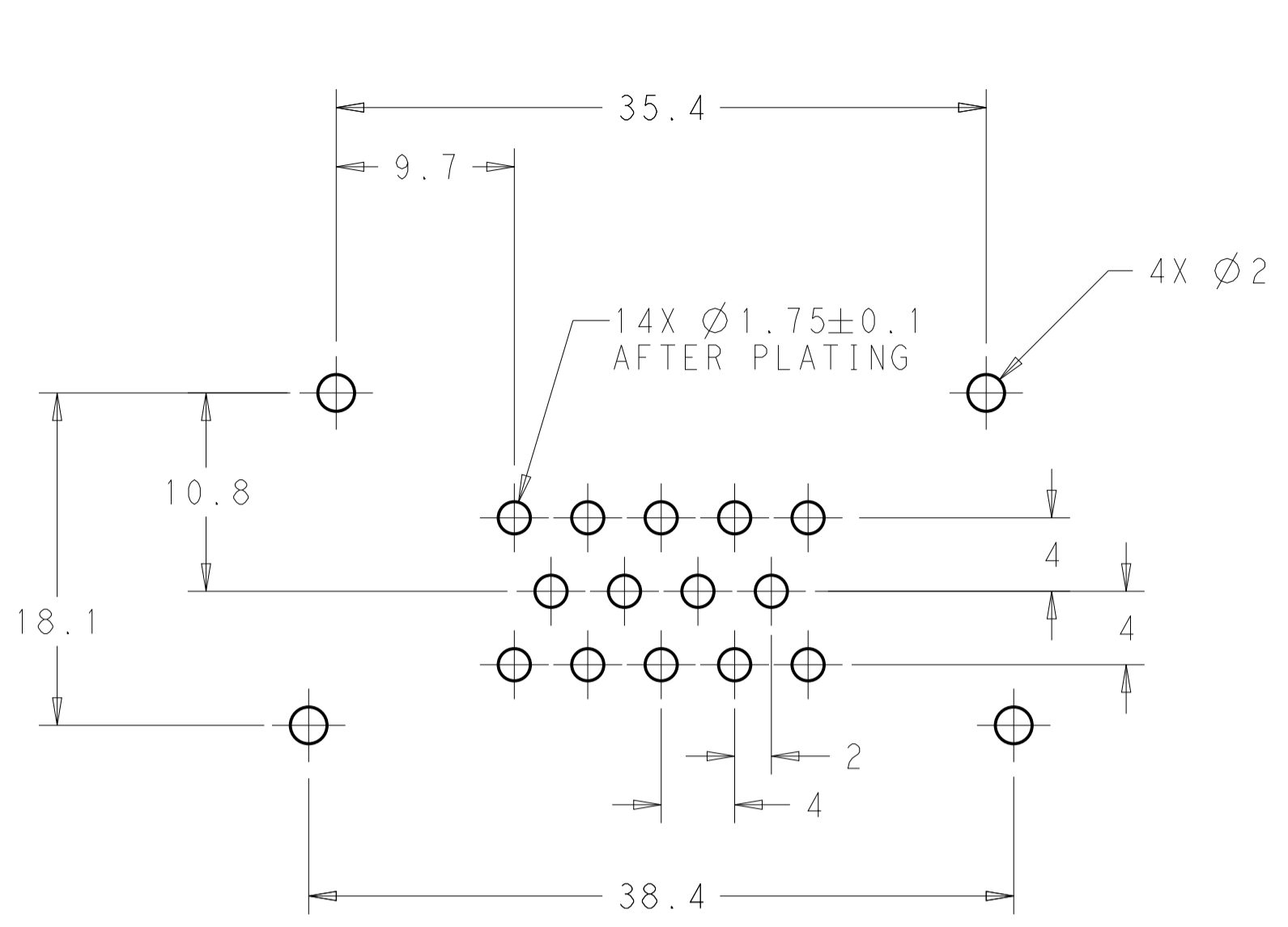


776262-1 & 1-776262-1 SHOWN

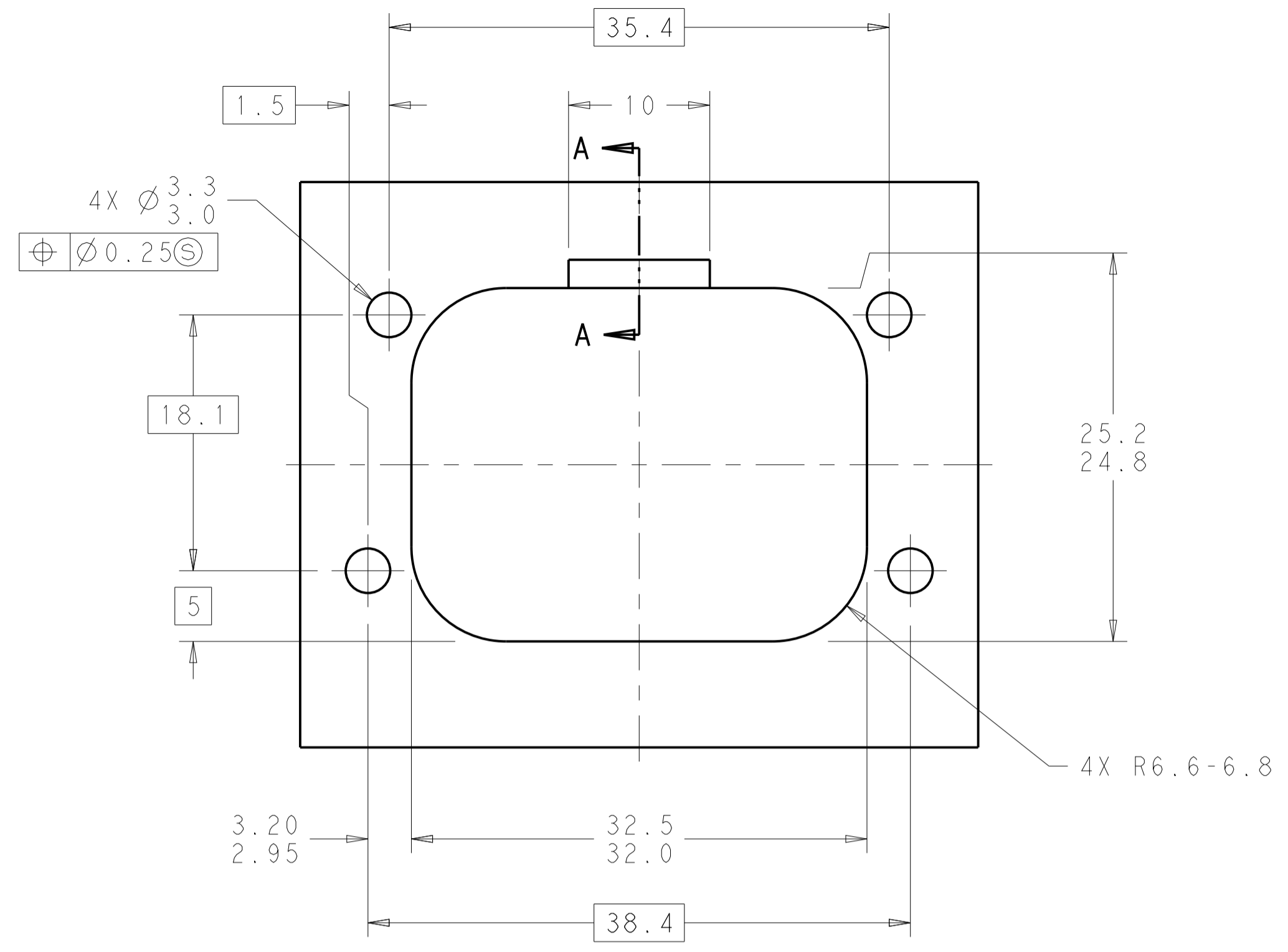
HEADER COLOR	PLATING	PART NUMBER
BLUE	GOLD	1-776262-5
GRAY	GOLD	1-776262-4
NATURAL	GOLD	1-776262-2
BLACK	GOLD	1-776262-1
BLUE	TIN	776262-5
GRAY	TIN	776262-4
NATURAL	TIN	776262-2
BLACK	TIN	776262-1

THIS DRAWING IS A CONTROLLED DOCUMENT.		OWN: D. STRAUSSER 03 MAR 2020	TE Connectivity	
DIMENSIONS: mm		CHK: D. STRAUSSER 22 MAR 2020	ASSEMBLY, HEADER, 14 POSITION, VERTICAL, AMPSEAL WITH FLANGE SEAL	
TOLERANCES UNLESS OTHERWISE SPECIFIED:		APVD: D. STRAUSSER 27 APR 2020	NAME: ASSEMBLY, HEADER, 14 POSITION, VERTICAL, AMPSEAL WITH FLANGE SEAL	
0 PLC ±0.2		PRODUCT SPEC: 108-1329	SIZE: A1	
2 PLC ±0.2		APPLICATION SPEC: 114-16016	CAGE CODE: 00779	
3 PLC ±0.2		WEIGHT: 17.10g	DRAWING NO: 776262	
4 PLC ±0.2		FINISH: 3	CUSTOMER DRAWING	
ANGLES ±0.2		SCALE: 4:1 SHEET 1 OF 2 REV: A12		

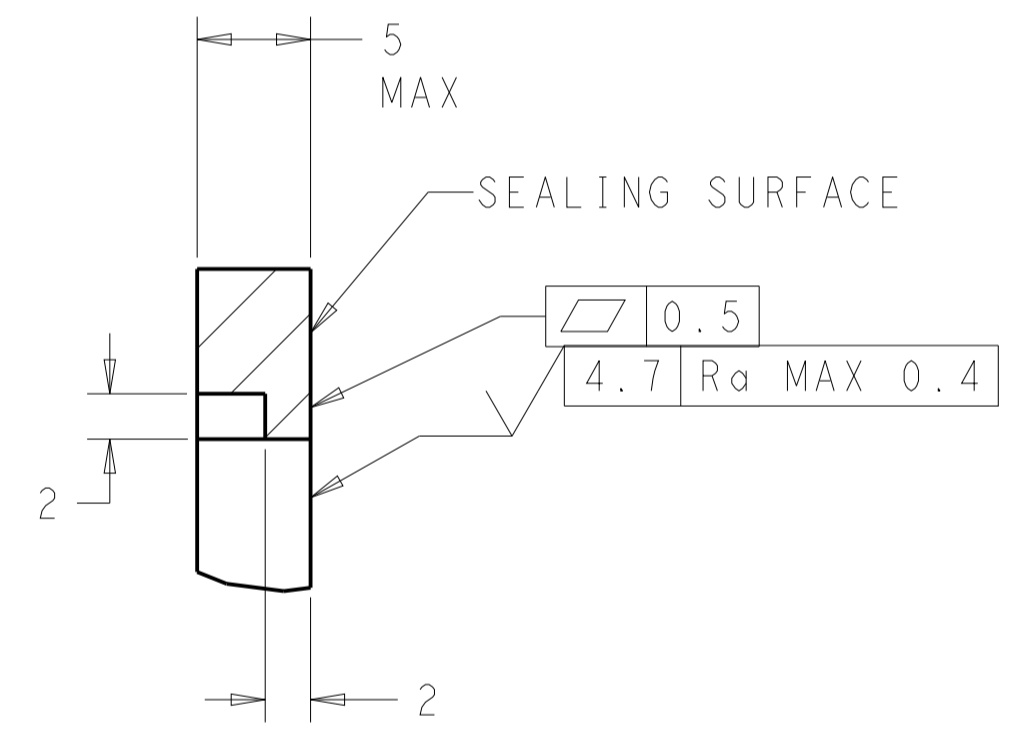
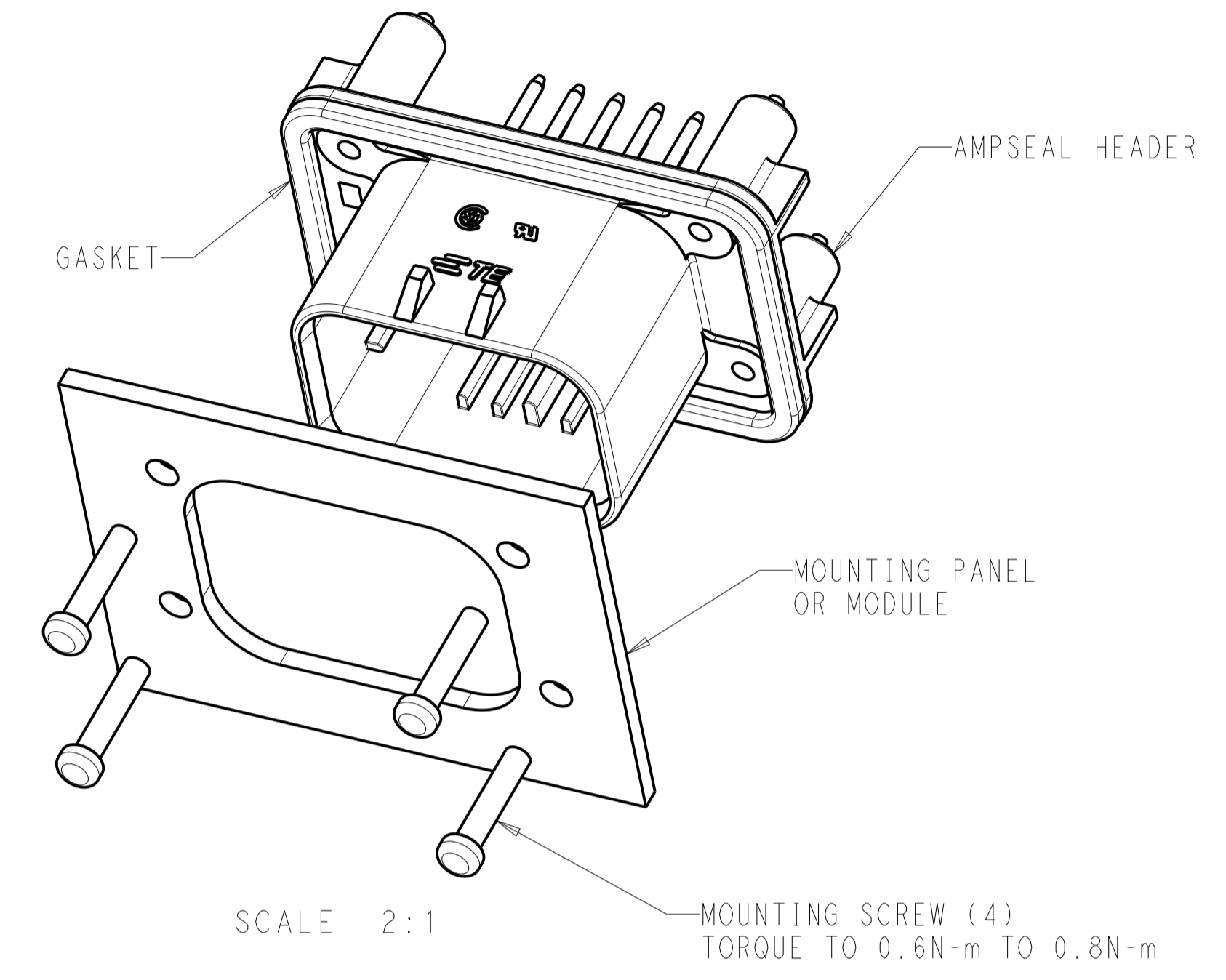
REVISIONS				
P.	LTN.	DESCRIPTION	DATE	APPV.
-	SEE SHEET 1			



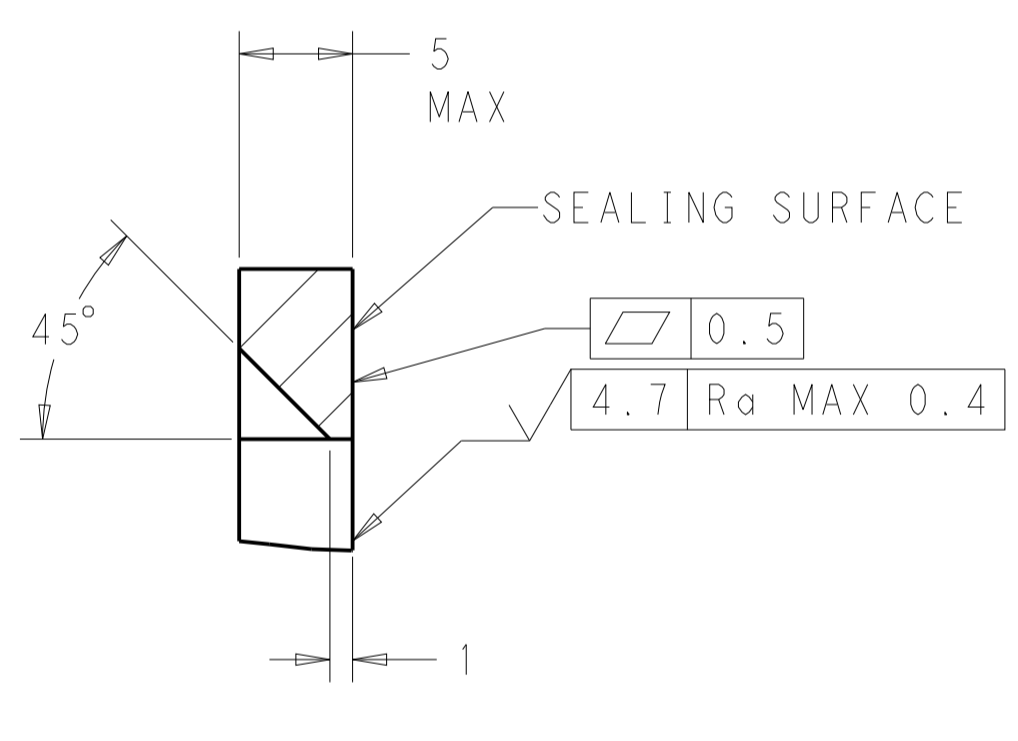
RECOMMENDED P.C. BOARD LAYOUT FOR 1.57 THICK P.C. BOARD



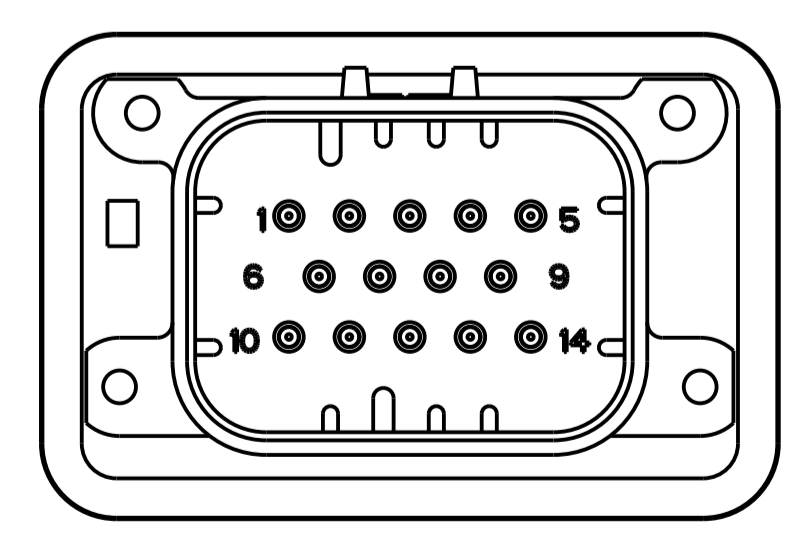
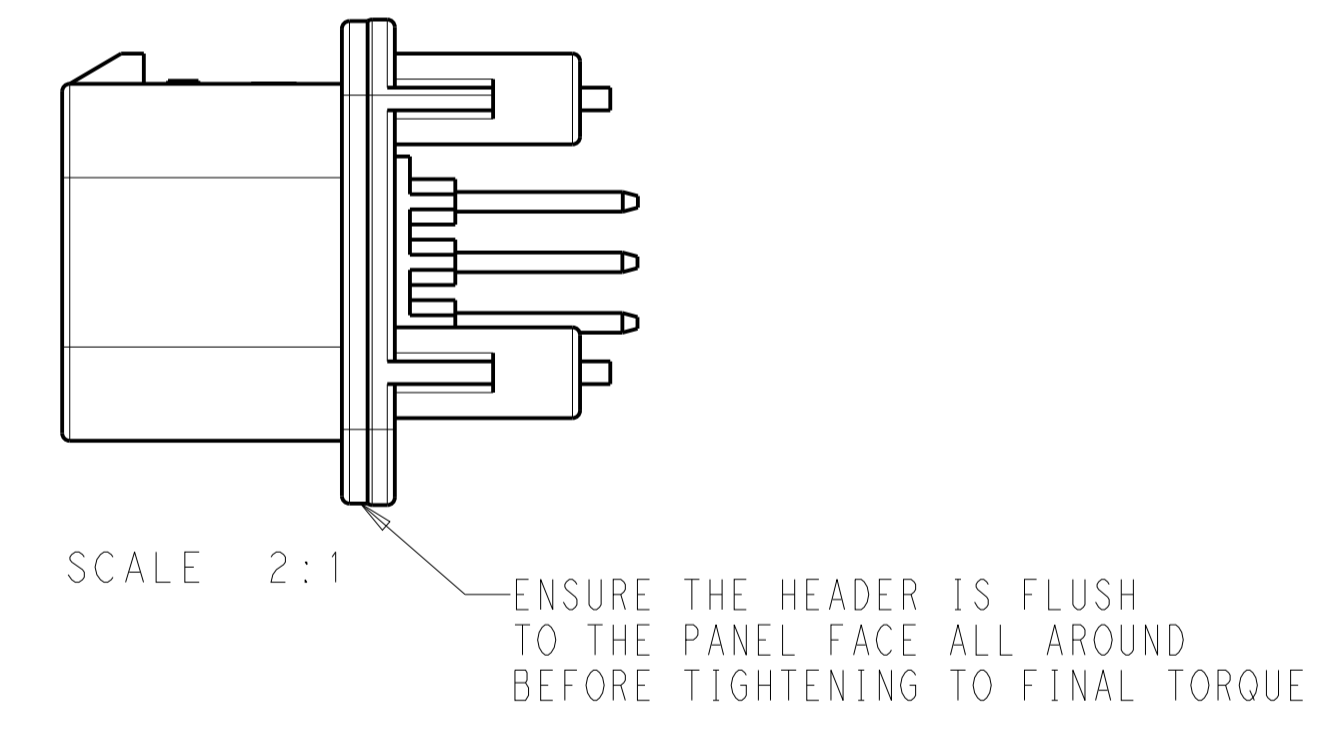
RECOMMENDED MOUNTING HOLE LAYOUT FOR 5.0 MAX THICK PANEL



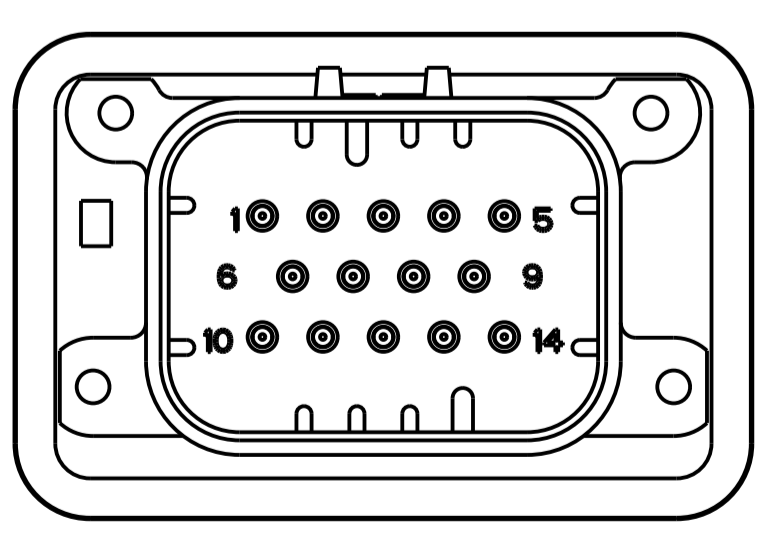
SECTION A-A  
OPTIONAL CONSTRUCTION IF PANEL THICKNESS IS GREATER THAN 2.0



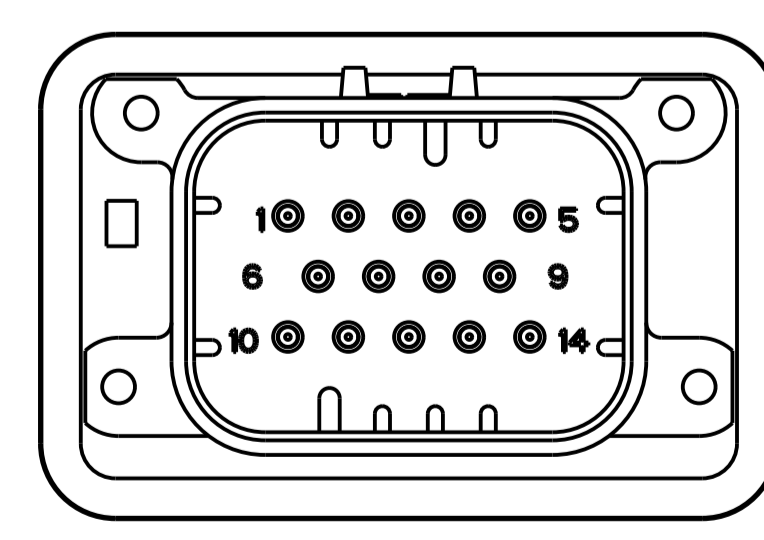
SECTION A-A  
OPTIONAL CONSTRUCTION IF PANEL THICKNESS IS GREATER THAN 2.0



776262-2 & 1-776262-2  
KEY LOCATION  
SCALE 2:1



776262-4 & 1-776262-4  
KEY LOCATION  
SCALE 2:1



776262-5 & 1-776262-5  
KEY LOCATION  
SCALE 2:1

THIS DRAWING IS A CONTROLLED DOCUMENT.		OWN: D. STRAUSSER 03MAR2010	TE Connectivity
DIMENSIONS: mm		CHK: D. STRAUSSER 22MAR2010	
TOLERANCES UNLESS OTHERWISE SPECIFIED:		APV: D. STRAUSSER 27APR2010	NAME: ASSEMBLY, HEADER, 14 POSITION, VERTICAL, AMPSEAL WITH FLANGE SEAL
0 PLC	±	PRODUCT SPEC	SIZE: CAGE CODE DRAWING NO. RESTRICTED TO
1 PLC	±0.2	108-1329	A100779C=776262
2 PLC	±	APPLICATION SPEC	SCALE 2:1 SHEET 2 OF 2 REV A12
3 PLC	±	114-16016	
4 PLC	±	WEIGHT 17.10g	
ANGLES	±	CUSTOMER DRAWING	

单击下面可查看定价，库存，交付和生命周期等信息

[>>TE Connectivity\(泰科\)](#)