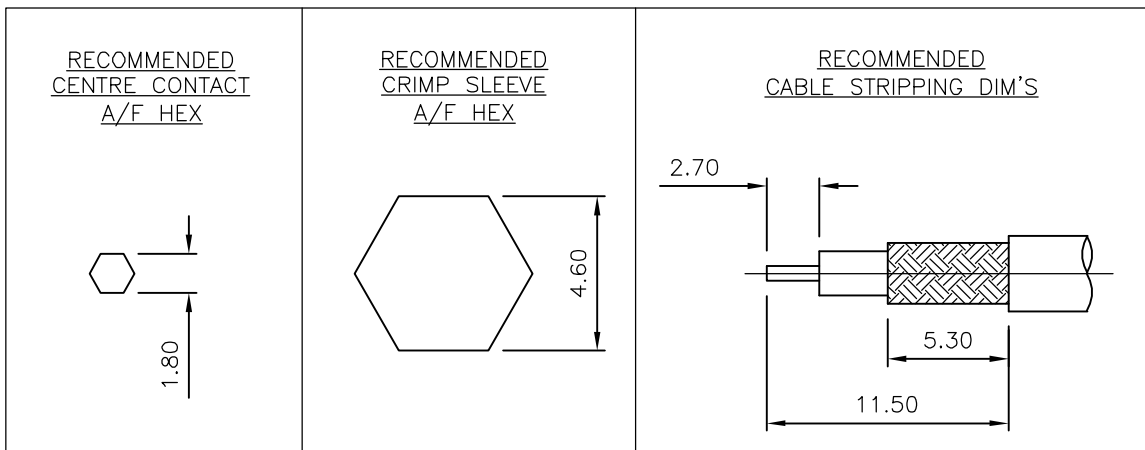
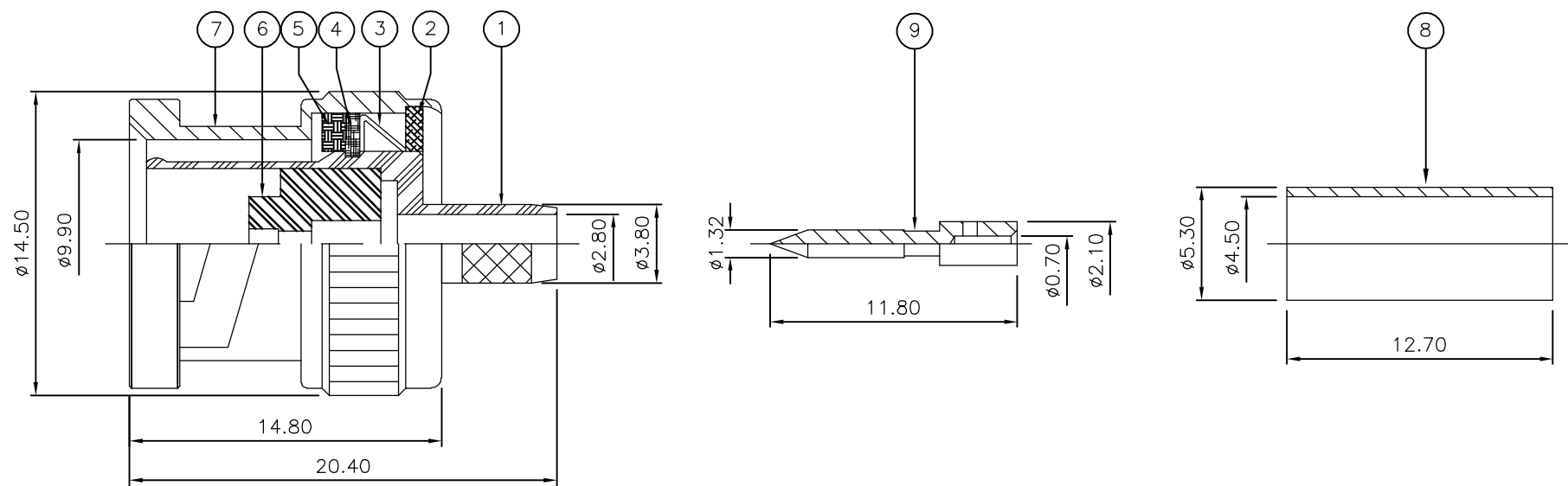


THIS DRAWING IS UNPUBLISHED. RELEASED FOR PUBLICATION JUNE ,2006.
 © COPYRIGHT 2006 BY TYCO ELECTRONICS CORPORATION. ALL RIGHTS RESERVED.

| LOC | DIST | REVISIONS | | | | | |
|-----|------|-----------|-----|---------------|---------|-----|------|
| E | B | P | LTR | DESCRIPTION | DATE | DWN | APVD |
| | | B | | ECR-06-015596 | 28JUN06 | JMS | FWK |

- NOTES:
- ① PACK IN ACCORDANCE WITH AMP SPEC 107-3275
 - ② 100 TRAY PACK IN ACCORDANCE WITH AMP SPEC 107-3275
 - ③ Ag PLATING
 - ④ Ni PLATING
 - ⑤ THIS ITEM MUST BE WHITE
 - 6 HAND TOOL : 9-1478240-0
 - 7 DIE SET : 9-1478245-0
 - 8 ELECTRICAL CHARACTERISTICS
 FREQUENCY RANGE: DC - 2 GHz
 NOMINAL IMPEDANCE: 75 Ohm
 INSULATION RESISTANCE: 5000 MOhm
 WORKING VOLTAGE: 500 Volts RMS at Sea Level
 DIELECTRIC WITHSTAND VOLTAGE: 1500 Volts RMS Max
 CONTACT RESISTANCE:
 CENTRE CONTACT: 1.50 mOhm Max
 OUTER CONTACT: 0.20 mOhm Max
 VSWR @ 2GHz: 1.20:1 Max
 INSERTION LOSS dB @ x 2 GHz: 0.20 Max
 - 9 MECHANICAL CHARACTERISTICS
 COUPLING RETENTION FORCE: 445N Min
 CABLE RETENTION FORCE: 85N Min
 DURABILITY: 500 Cycles Min
 - 10 ENVIRONMENTAL CHARACTERISTICS
 OPERATING TEMPERATURE: -65 to +165 DegC
 - 11 FOR TECHNICAL DATA REFER TO YOUR LOCAL TYCO ELECTRONICS SALES OFFICE
 - 12 ALL DIMENSIONS ARE NOMINAL FOR REFERENCE ONLY UNLESS OTHERWISE STATED



| QTY | QTY | MATERIAL | DESCRIPTION | ITEM |
|------|------|-----------------|----------------|------|
| 1 | 1 | BRASS | CONTACT | 9 |
| 1 | 1 | BRASS | FERRULE | 8 |
| 1 | 1 | BRASS | SHELL | 7 |
| 1 | 1 | PTFE | INSULATION | 6 |
| 1 | 1 | SILICONE RUBBER | GASKET | 5 |
| 1 | 1 | BRASS | RETAINING RING | 4 |
| 1 | 1 | SPRING STEEL | SPRING | 3 |
| 1 | 1 | BRASS | WASHER | 2 |
| 1 | 1 | BRASS | BODY | 1 |
| 6--0 | 1--0 | | | |

| | | | | |
|---|--|-----------------------------|---|--|
| THIS DRAWING IS A CONTROLLED DOCUMENT. | | DWN J.SANDWELL 28JUN06 | Tyco Electronics Corporation Bideford EX39 4HE | |
| DIMENSIONS: mm | | CHK S.PARLOW 28JUN06 | | |
| TOLERANCES UNLESS OTHERWISE SPECIFIED: | | APVD F.WHEELER-KING 28JUN06 | NAME BNC STRAIGHT PLUG CRIMP 75 OHM MINI-RG59 | |
| 0 PLC ± - 1 PLC ± - 2 PLC ± - 3 PLC ± - 4 PLC ± - ANGLES ± - | | PRODUCT SPEC - | SIZE CAGE CODE DRAWING NO RESTRICTED TO | |
| MATERIAL SEE TABLE | | FINISH - | A3 00779 C-1478111 | |
| | | WEIGHT - | SCALE NTS SHEET 1 OF 1 REV B | |
| | | CUSTOMER DRAWING | | |

单击下面可查看定价，库存，交付和生命周期等信息

[>>TE Connectivity\(泰科\)](#)