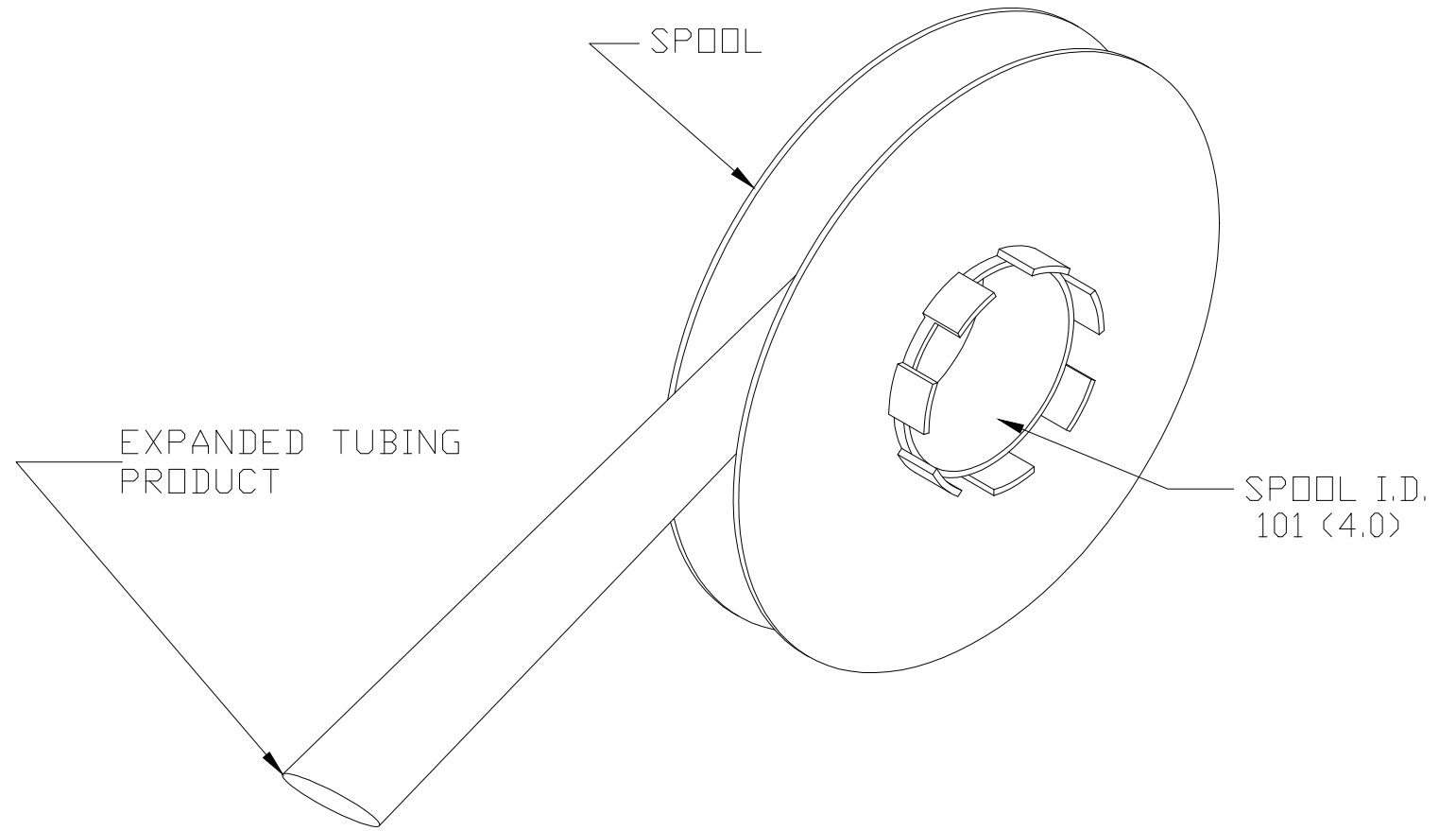
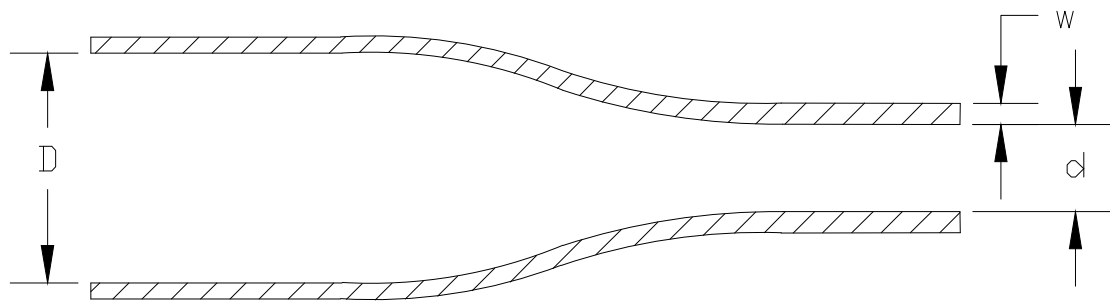
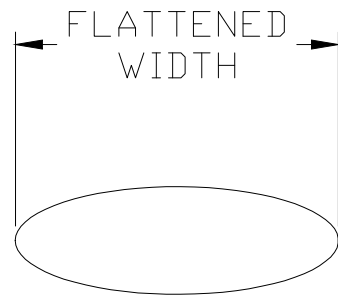


P	LTR	DESCRIPTION	DATE	DWN	APVD
2		INITIAL CUSTOMER DRAWING	20FEB2020	AFK	LS



Product Size	3/32	1/8	3/16	1/4	3/8	1/2	3/4	1	1-1/2
"D" Minimum Supplied I.D.	2.36 (.093)	3.18 (.125)	4.75 (.187)	6.35 (.250)	9.53 (.375)	12.7 (.500)	19.0 (.750)	25.4 (1.00)	38.1 (1.50)
"d" Maximum Recovered I.D.	0.79 (.031)	1.58 (.063)	2.38 (.094)	3.18 (.125)	4.76 (.188)	6.35 (.250)	9.53 (.375)	12.7 (.500)	19.0 (.750)
"w" Recovered Wall Thickness	0.38±0.08 (.015±.003)	0.38±0.08 (.015±.003)	0.38±0.08 (.015±.003)	0.38±0.08 (.015±.003)	0.38±0.08 (.015±.003)	0.38±0.08 (.015±.003)	0.38±0.08 (.015±.003)	0.43±0.10 (.017±.004)	0.43±0.10 (.017±.004)
Minimum Sleeve Flattened Width	4.32 (.170)	5.84 (.230)	8.00 (.315)	10.7 (.420)	15.5 (.610)	20.3 (.799)	30.5 (1.20)	40.4 (1.59)	60.3 (2.37)

NOTES:

1. ALL DIMENSIONS ARE IN MILLIMETERS (inches).

THIS DRAWING IS A CONTROLLED DOCUMENT.		DWN AFK CHK -	19FEB2020	TE Connectivity	
DIMENSIONS: mm 		TOLERANCES UNLESS OTHERWISE SPECIFIED: 0 PLC ± - 1 PLC ± - 2 PLC ± - 3 PLC ± - 4 PLC ± - ANGLES ± -			
MATERIAL CROSS-LINKED PvdF		FINISH -		PRODUCT SPEC RW-2512 APPLICATION SPEC -	
		WEIGHT VARIOUS		SIZE A3	CAGE CODE -
		CUSTOMER DRAWING		DRAWING NO C-MCD170015	RESTRICTED TO -
		SCALE -		SHEET 1 OF 1	REV 2

单击下面可查看定价，库存，交付和生命周期等信息

[>>TE Connectivity\(泰科\)](#)