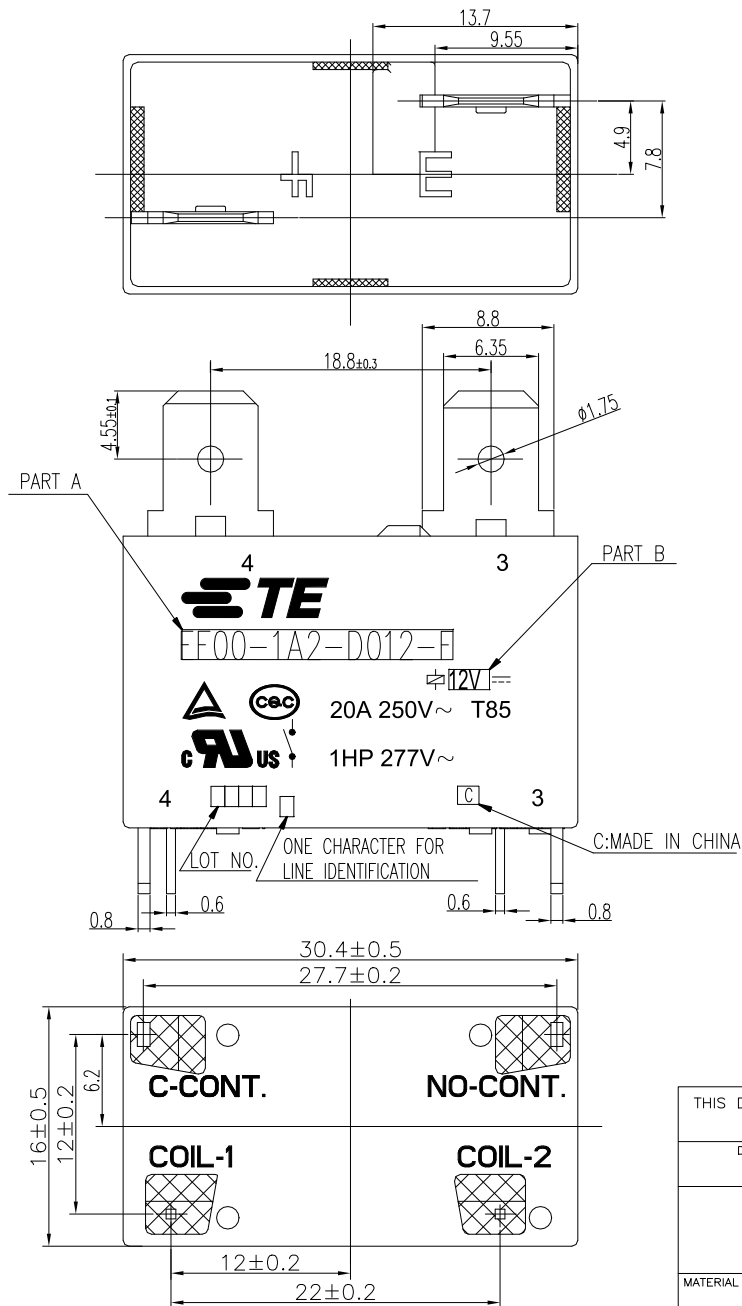


FIGA



REVISIONS					
P	LTR	DESCRIPTION	DATE	DWN	APVD
	A	RELEASE	26-DEC-12	K.T	BH.Y
	B	ADD NEW TYPE ECO-20-011353	18-AUG-20	XRL	K.T

Diagram dimension	Tolerance
0.99mm max.	±0.1mm
1 - 2.99mm	±0.2mm
3mm min.	±0.3mm

THIS DRAWING IS A CONTROLLED DOCUMENT.		DWN KUN TANG	TE Connectivity		
DIMENSIONS: mm		CHK BANGHUA YU	NAME		
TOLERANCES UNLESS OTHERWISE SPECIFIED:		APVD SUNNY ZHANG	EF CUSTOMER DRAWING		
0 PLC ±-		PRODUCT SPEC	RESTRICTED TO		
1 PLC ±-		APPLICATION SPEC	SIZE	CAGE CODE	DRAWING NO
2 PLC ±-		WEIGHT	A3	00779	C=2071266
3 PLC ±-		CUSTOMER DRAWING	SCALE	SHEET	REV
4 PLC ±-			1:1	1 of 3	B
ANGLES ±-					
FINISH					

P	LTR	DESCRIPTION	DATE	DWN	APVD
1	-		-	-	-

FIG B

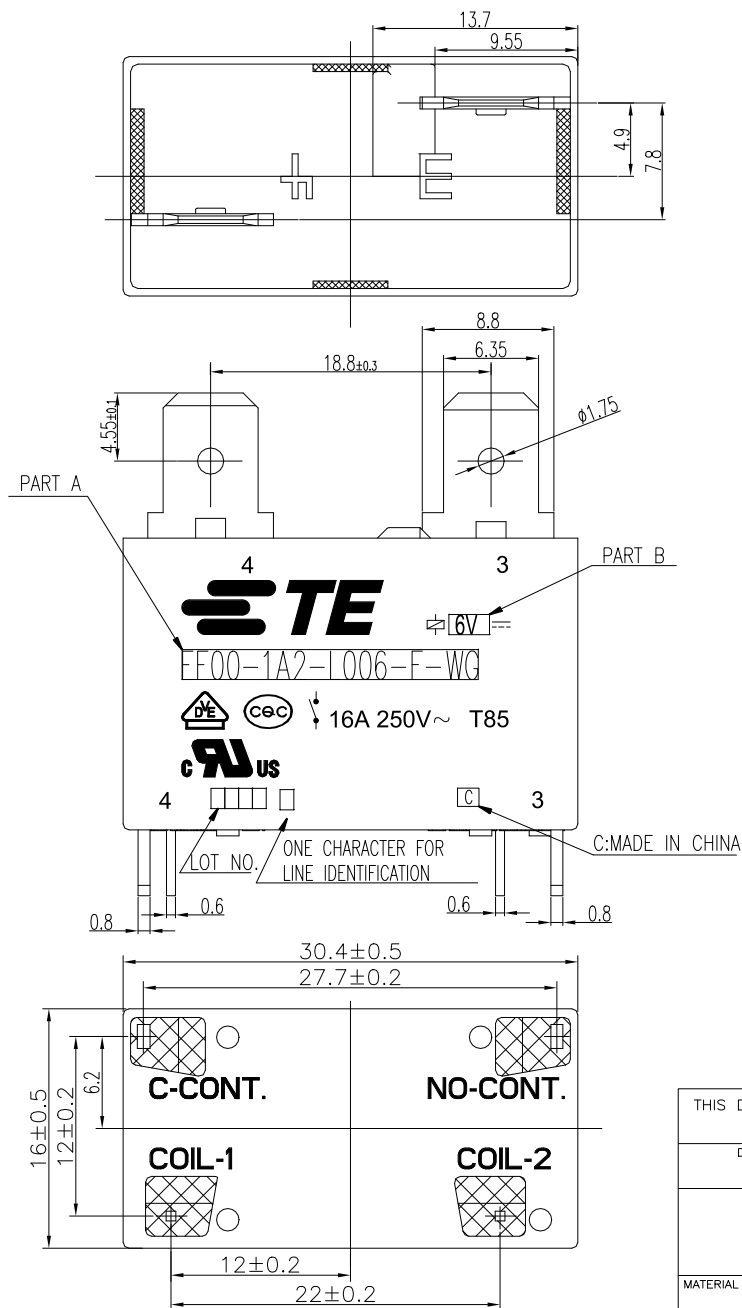


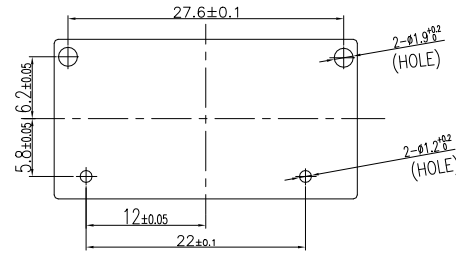
Diagram dimension	Tolerance
0.99mm max.	±0.1mm
1 - 2.99mm	±0.2mm
3mm min.	±0.3mm

THIS DRAWING IS A CONTROLLED DOCUMENT.		DWN KUN TANG	TE Connectivity																
DIMENSIONS: mm		CHK BANGHUA YU	NAME EF CUSTOMER DRAWING																
TOLERANCES UNLESS OTHERWISE SPECIFIED:		APVD SUNNY ZHANG	PRODUCT SPEC																
<table border="0"> <tr><td>0 PLC</td><td>±</td></tr> <tr><td>1 PLC</td><td>±</td></tr> <tr><td>2 PLC</td><td>±</td></tr> <tr><td>3 PLC</td><td>±</td></tr> <tr><td>4 PLC</td><td>±</td></tr> <tr><td>ANGLES</td><td>±</td></tr> <tr><td>FINISH</td><td>±</td></tr> </table>		0 PLC	±	1 PLC	±	2 PLC	±	3 PLC	±	4 PLC	±	ANGLES	±	FINISH	±	APPLICATION SPEC	SIZE A3	CAGE CODE 00779	DRAWING NO C=2071266
0 PLC	±																		
1 PLC	±																		
2 PLC	±																		
3 PLC	±																		
4 PLC	±																		
ANGLES	±																		
FINISH	±																		
MATERIAL		WEIGHT	RESTRICTED TO																
CUSTOMER DRAWING			SCALE 1:1	SHEET 2 of 3	REV B														

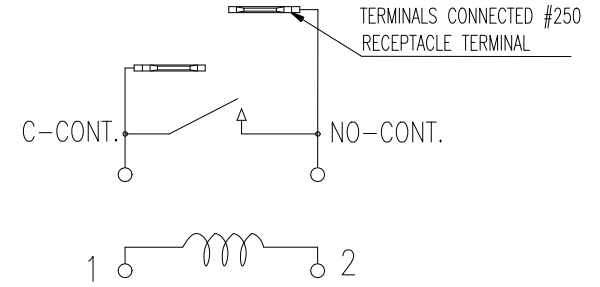
P	LTR	DESCRIPTION	DATE	DWN	APVD
1	-		-	-	-

2-2071266-1	EF00-1A2-L048-F-WG	FIG B	48V	EF00-1A2-L048-F-WG
2-2071266-0	EF00-1A2-L024-F-WG	FIG B	24V	EF00-1A2-L024-F-WG
1-2071266-9	EF00-1A2-L018-F-WG	FIG B	18V	EF00-1A2-L018-F-WG
1-2071266-8	EF00-1A2-L012-F-WG	FIG B	12V	EF00-1A2-L012-F-WG
1-2071266-7	EF00-1A2-L009-F-WG	FIG B	9V	EF00-1A2-L009-F-WG
1-2071266-6	EF00-1A2-L006-F-WG	FIG B	6V	EF00-1A2-L006-F-WG
1-2071266-5	EF00-1A2-L005-F-WG	FIG B	5V	EF00-1A2-L005-F-WG
2-2071266-2	EF00-1A2-D012-F	FIG A	12V	EF00-1A2-D012-F
1-2071266-4	EF00-1A2-D048-F-WG	FIG A	48V	EF00-1A2-D048-F-WG
1-2071266-3	EF00-1A2-D024-F-WG	FIG A	24V	EF00-1A2-D024-F-WG
1-2071266-2	EF00-1A2-D018-F-WG	FIG A	18V	EF00-1A2-D018-F-WG
1-2071266-1	EF00-1A2-D012-F-WG	FIG A	12V	EF00-1A2-D012-F-WG
1-2071266-0	EF00-1A2-D009-F-WG	FIG A	9V	EF00-1A2-D009-F-WG
2071266-9	EF00-1A2-D006-F-WG	FIG A	6V	EF00-1A2-D006-F-WG
2071266-8	EF00-1A2-D005-F-WG	FIG A	5V	EF00-1A2-D005-F-WG
2071266-7	EF00-1A2-D048-F	FIG A	48V	EF00-1A2-D048-F
2071266-6	EF00-1A2-D024-F	FIG A	24V	EF00-1A2-D024-F
2071266-5	EF00-1A2-D018-F	FIG A	18V	EF00-1A2-D018-F
2071266-4	EF00-1A2-D012-F	FIG A	12V	EF00-1A2-D012-F
2071266-3	EF00-1A2-D009-F	FIG A	9V	EF00-1A2-D009-F
2071266-2	EF00-1A2-D006-F	FIG A	6V	EF00-1A2-D006-F
2071266-1	EF00-1A2-D005-F	FIG A	5V	EF00-1A2-D005-F
TE PART NO	DESCRIPTION	FIG	PART B	PART A

DRILLING DIAGRAM (BOTTOM VIEW)  
(SCALE 2:1)



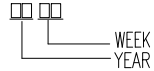
CONNECTION DIAGRAM(BOTTOM VIEW)



RELAY TYPE

	EPOXY RESIN	SEAL	15	
	3UEW	MAGNETIC WIRE	14	
	HCP	COIL TERMINAL	13	
	Ag ALLOY	C CONTACT	12	
	Ag ALLOY	M CONTACT	11	
	Cu ALLOY	M SPRING	10	
	Cu ALLOY	C SPRING	9	
	Cu ALLOY	C TERMINAL	8	
	Cu ALLOY	M TERMINAL	7	
UL94 V-0	LCP	CARD	6	
UL94 V-0	P.B.T	BOBBIN	5	
UL94 V-0	PBT/PET	BASE	4	
UL94 V-0	PBT/PET	CASE	3	
	Ni PLATED	STEEL	CORE	2
	Ni PLATED	STEEL	ARMATURE	1
INCOMBUSTIBILITY	TREATMENT	MATERIAL	DESCRIPTION	ITEM

NOTES:  
1. LOT NO. SYSTEM AS FOLLOWING:



- ONE CHARACTER DISTINGUISH THE LINE IDENTITY, SUCH AS: A, B...
- TERMINAL DIMENSION IS BEFORE SOLDER DIP.
- FOR THE TIN-PLATING OF THE PINS:  
+0.1mm FOR WIDTH, THICKNESS AND DIAMETER.  
+0.5mm FOR LENGTH.

THIS DRAWING IS A CONTROLLED DOCUMENT.		DWN KUN TANG	-	
		CHK BANGHUA YU	-	
		APVD SUNNY ZHANG	NAME	
		PRODUCT SPEC	-	
		APPLICATION SPEC	-	
		WEIGHT	-	
		SIZE A3	CAGE CODE 00779	DRAWING NO C-2071266
		CUSTOMER DRAWING		RESTRICTED TO
		SCALE 1:1	SHEET 3 of 3	REV B

单击下面可查看定价，库存，交付和生命周期等信息

[>>TE Connectivity\(泰科\)](#)