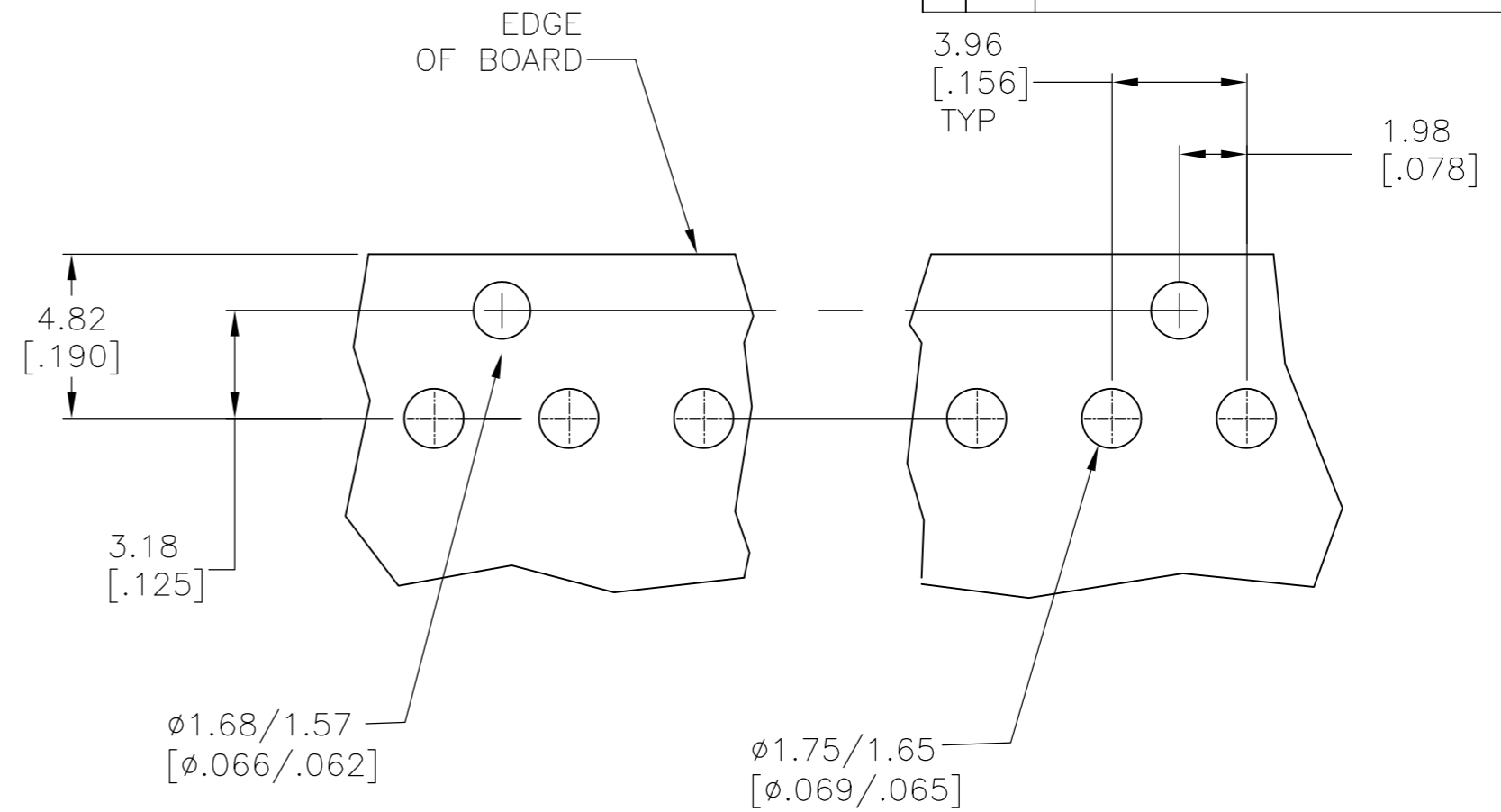
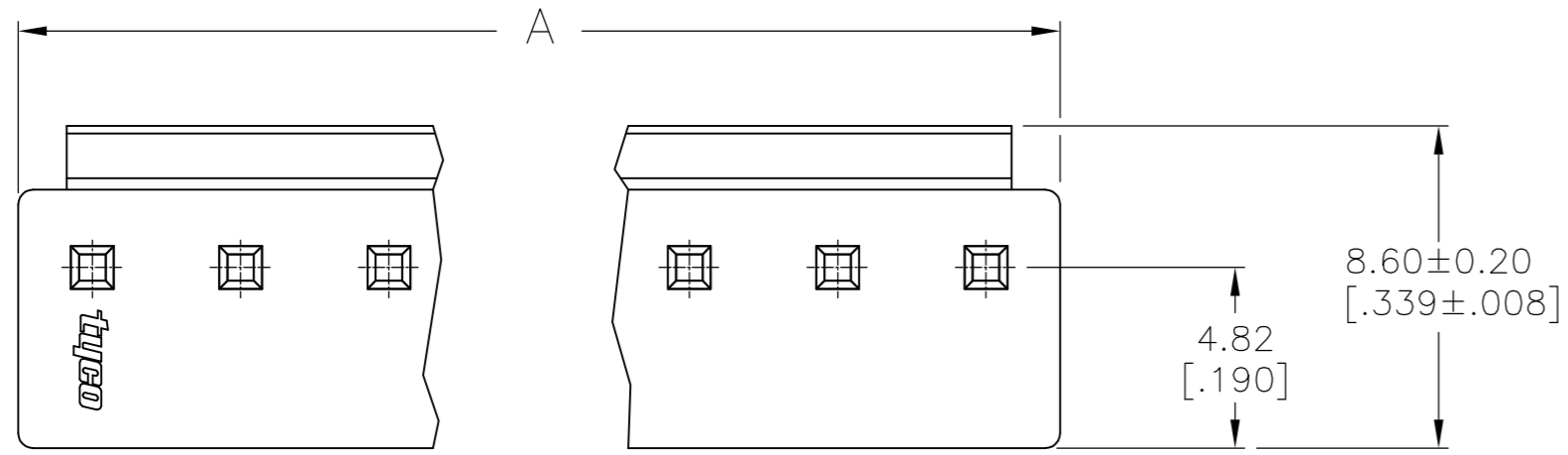
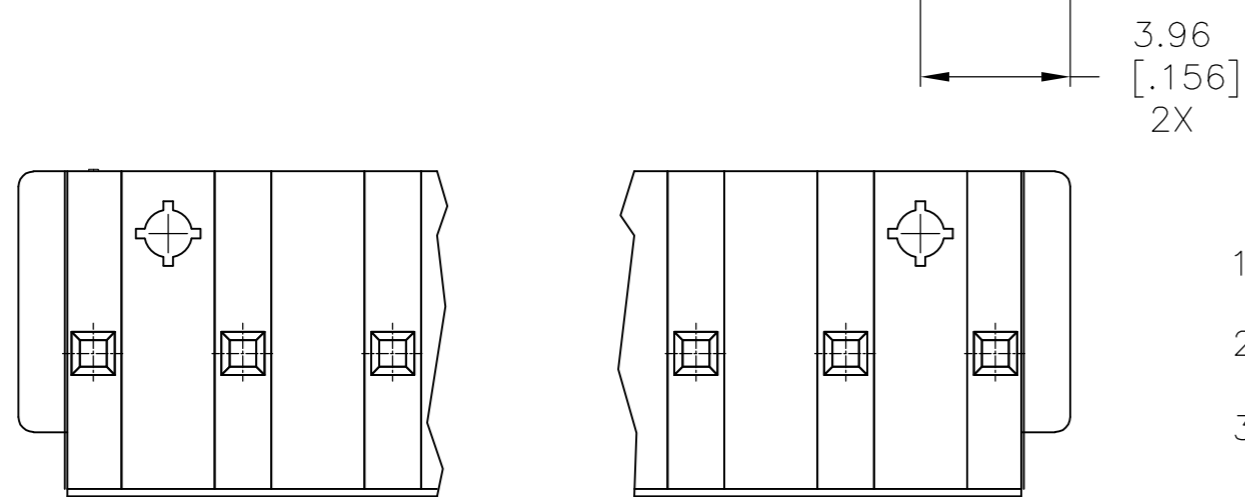
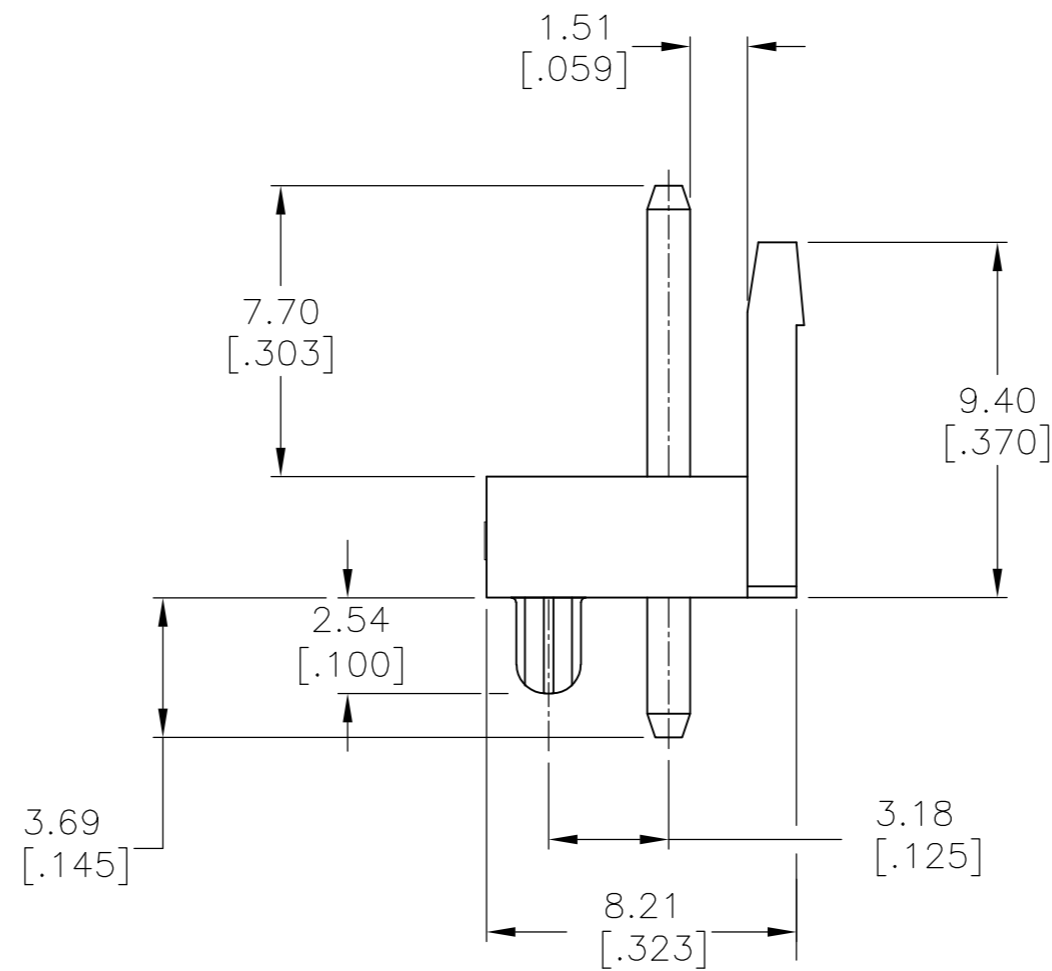
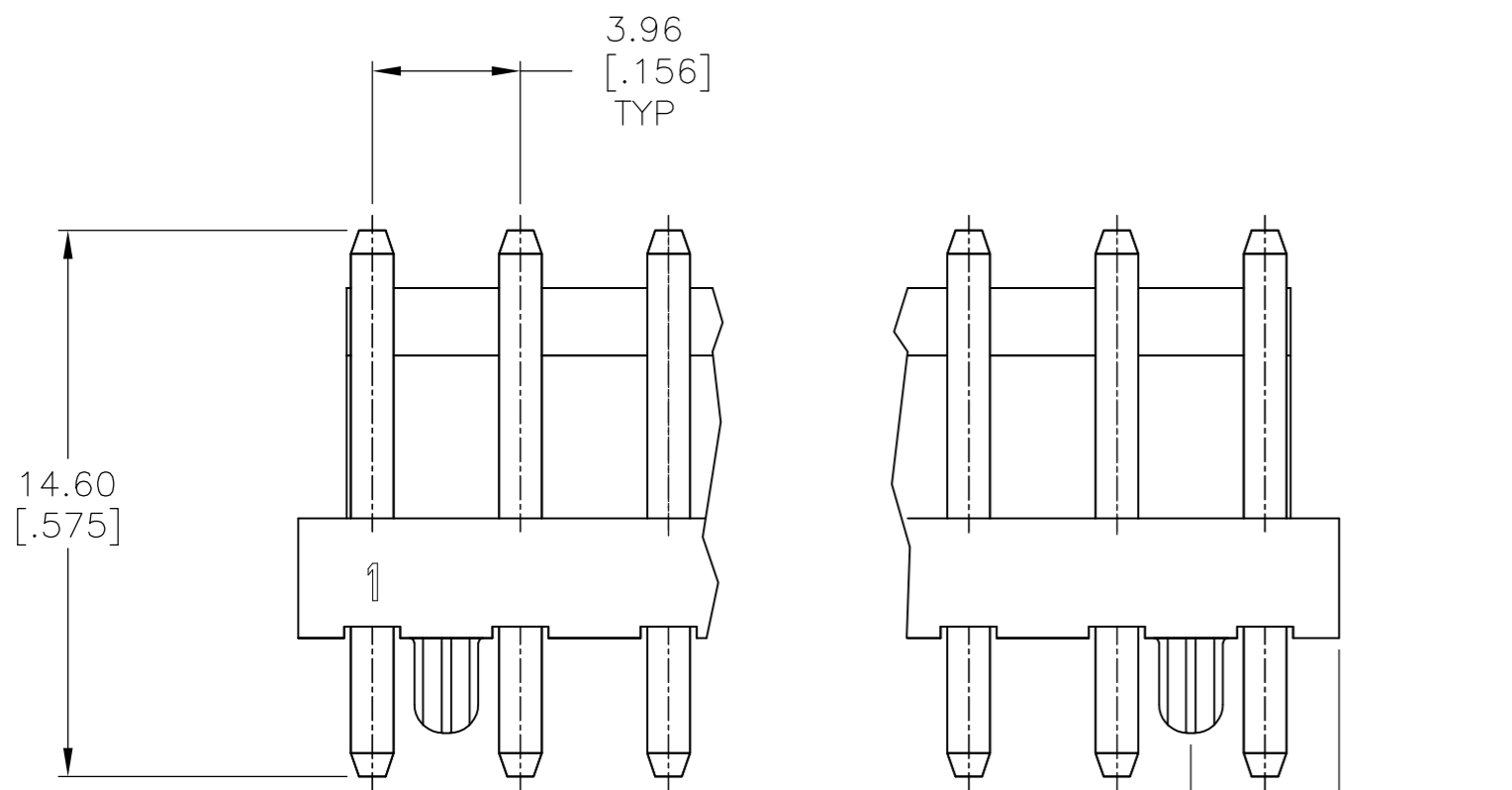


THIS DRAWING IS UNPUBLISHED. RELEASED FOR PUBLICATION
 © COPYRIGHT By - ALL RIGHTS RESERVED.

REVISIONS					
P	LTR	DESCRIPTION	DATE	DWN	APVD
D1		REVISED PER ECR-16-017535	16JAN17	O.C	D.Z



RECOMMENDED MOUNTING HOLE PATTERN FOR 1.6 [.063] THICK PC BOARD



- 1 HOUSING MATERIAL: NYLON 66 UL94V-0.
- 2 CONTACT MATERIAL: BRASS.
- 3 CONTACT PLATING: .003 [.000120] MIN TIN OVER .001 [.000039] NICKEL.
- 4 2 POSITION HAS 1 PEG, ALL OTHERS HAVE 2 PEGS.

NO. OF POSITIONS	COLOR	mm	IN	PART NUMBER
		DIM A ±0.30		
6	RED	23.76	[0.935]	4-1744057-6
5	YELLOW	19.80	[0.780]	4-1744057-5
3	YELLOW	11.88	[0.468]	4-1744057-3
7	BLUE	27.72	[1.091]	2-1744057-7
12	NATURAL	47.52	[1.871]	1-1744057-2
11	NATURAL	43.56	[1.715]	1-1744057-1
10	NATURAL	39.60	[1.559]	1-1744057-0
9	NATURAL	35.64	[1.403]	1744057-9
8	NATURAL	31.68	[1.247]	1744057-8
7	NATURAL	27.72	[1.091]	1744057-7
6	NATURAL	23.76	[0.935]	1744057-6
5	NATURAL	19.80	[0.780]	1744057-5
4	NATURAL	15.84	[0.624]	1744057-4
3	NATURAL	11.88	[0.468]	1744057-3
2	NATURAL	7.92	[0.312]	1744057-2

THIS DRAWING IS A CONTROLLED DOCUMENT.

DWN: S. HOOVER 01-APR-2004
 CHK: J. ELLIS 01-APR-2004
 APVD: J. ELLIS 01-APR-2004

TE Connectivity

NAME: HEADER ASSEMBLY-ECONOMY POWER VERTICAL, W/RETENTION PEGS

SIZE: A2 CAGE CODE: 00779 DRAWING NO: 1744057 RESTRICTED TO: -

SCALE: 5:1 SHEET: 1 OF 1 REV: D1

PRODUCT SPEC: APPLICATION SPEC

MATERIAL: SEE NOTES FINISH: WEIGHT: CUSTOMER DRAWING

TOLERANCES UNLESS OTHERWISE SPECIFIED:
 0 PLC ±
 1 PLC ±
 2 PLC ±
 3 PLC ± 0.13 [.005]
 4 PLC ±
 ANGLES ±

单击下面可查看定价，库存，交付和生命周期等信息

[>>TE Connectivity\(泰科\)](#)