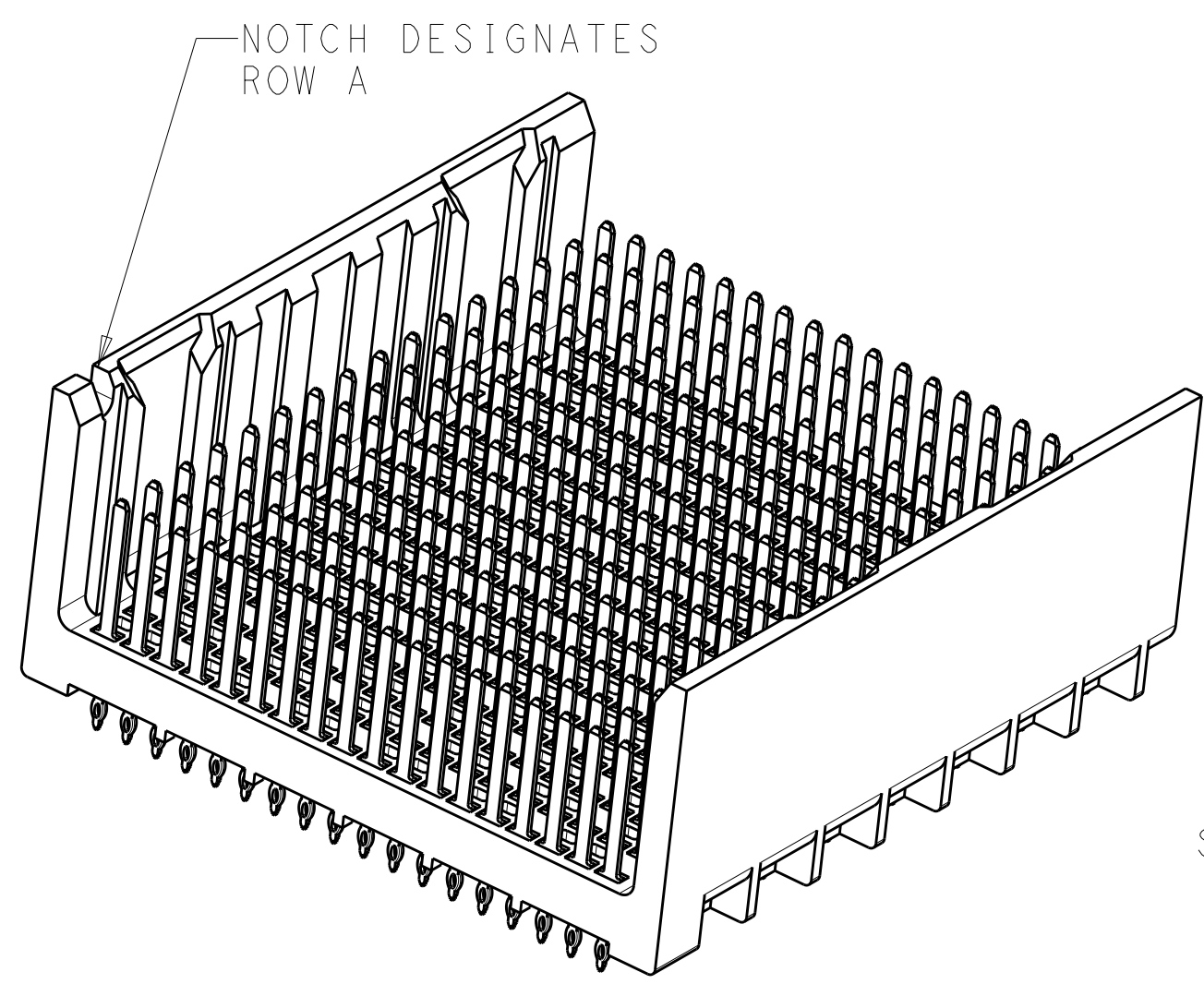
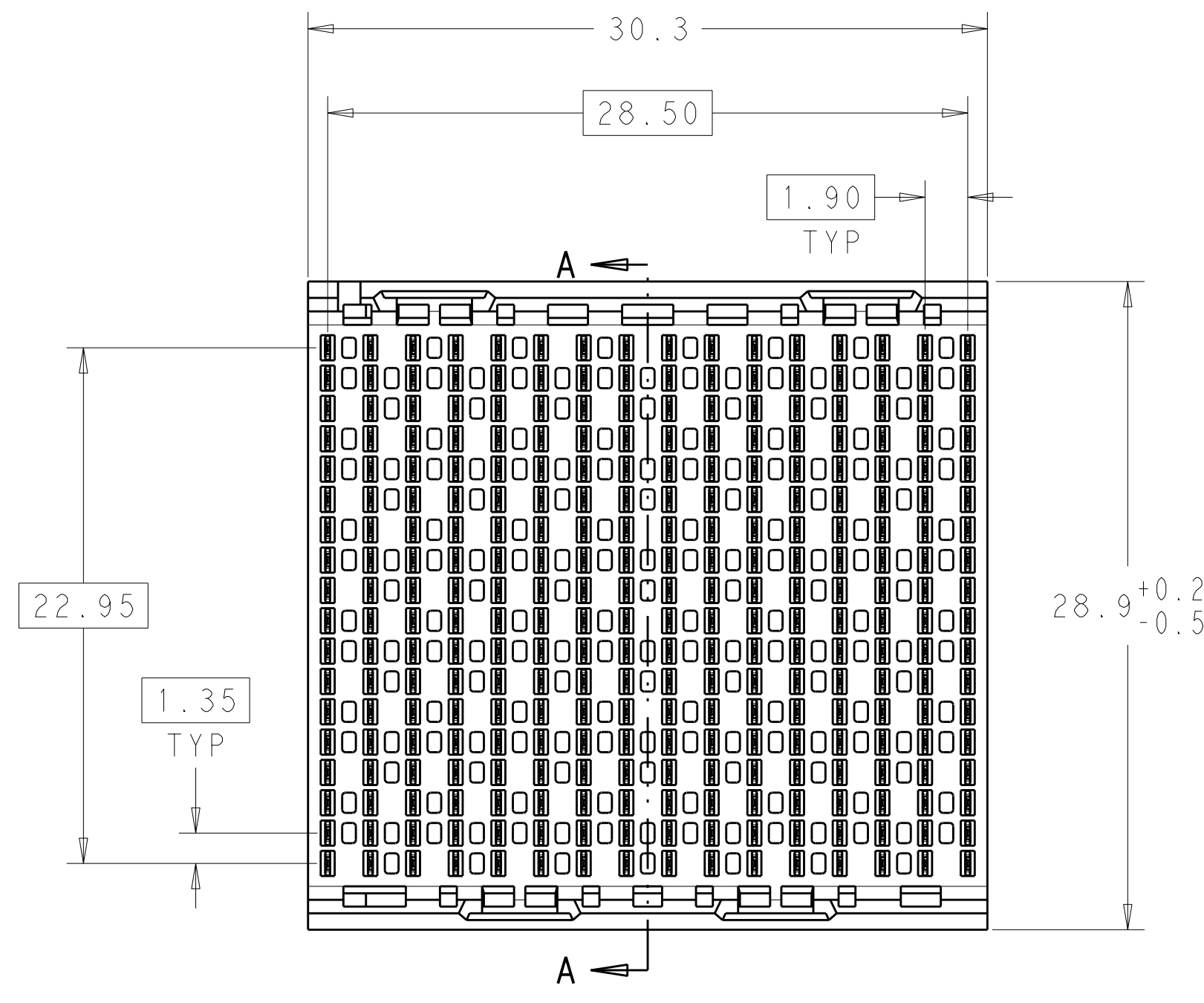
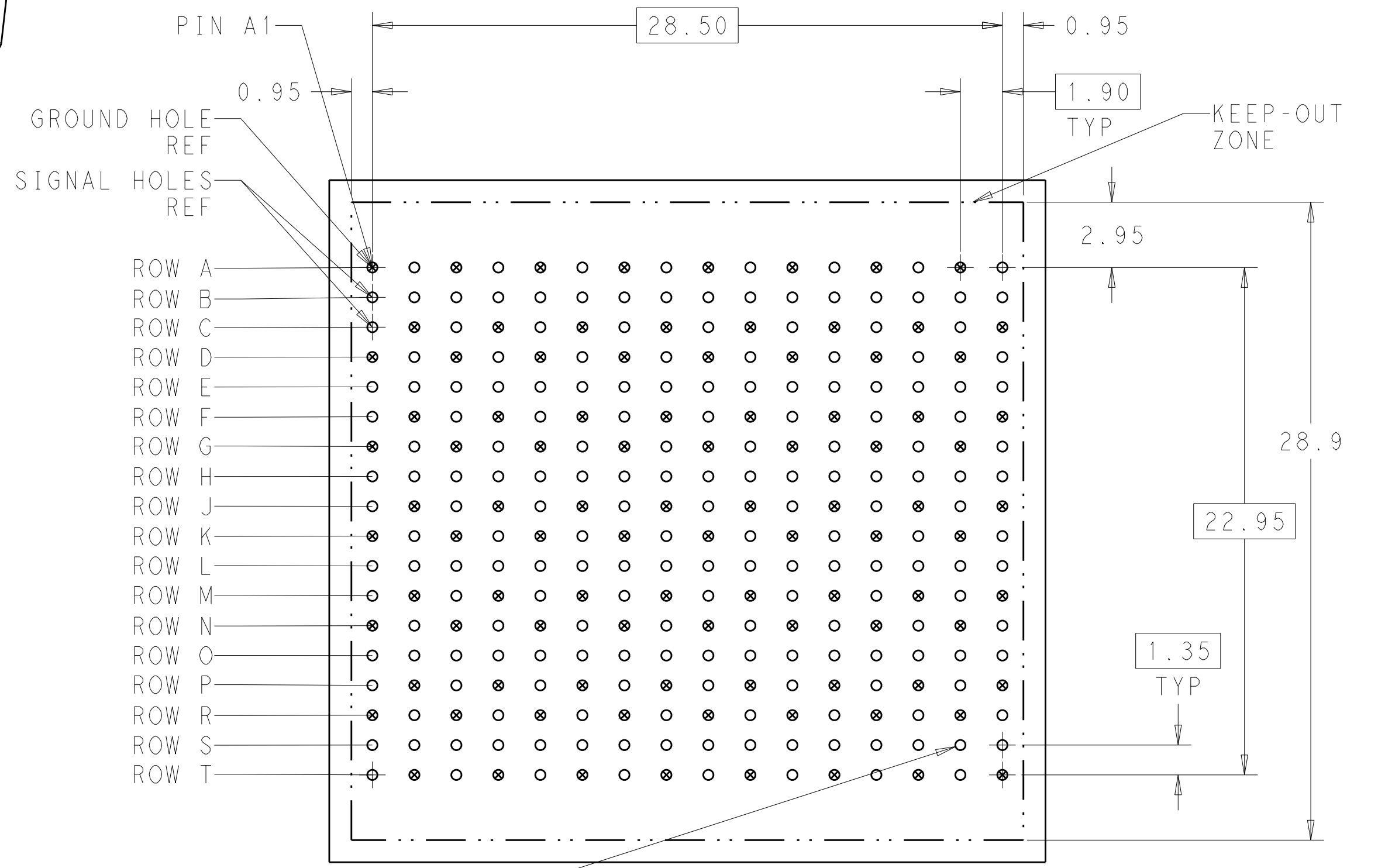


LOC	DIST	REV	DATE	BY	APPD
AD	00	A	02MAY2011	RKC	JE
REVISIONS			DESCRIPTION	DATE	DWN
A			CREATED BY AUTOMATION PROGRAM	02MAY2011	RKC

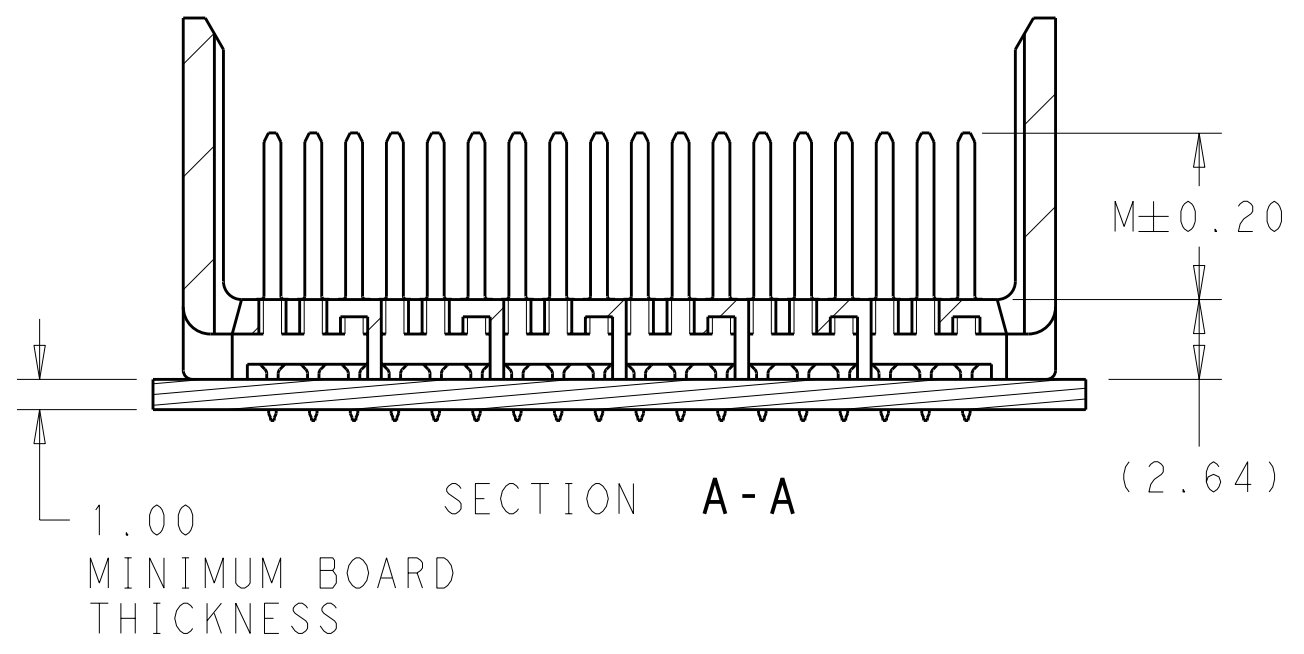
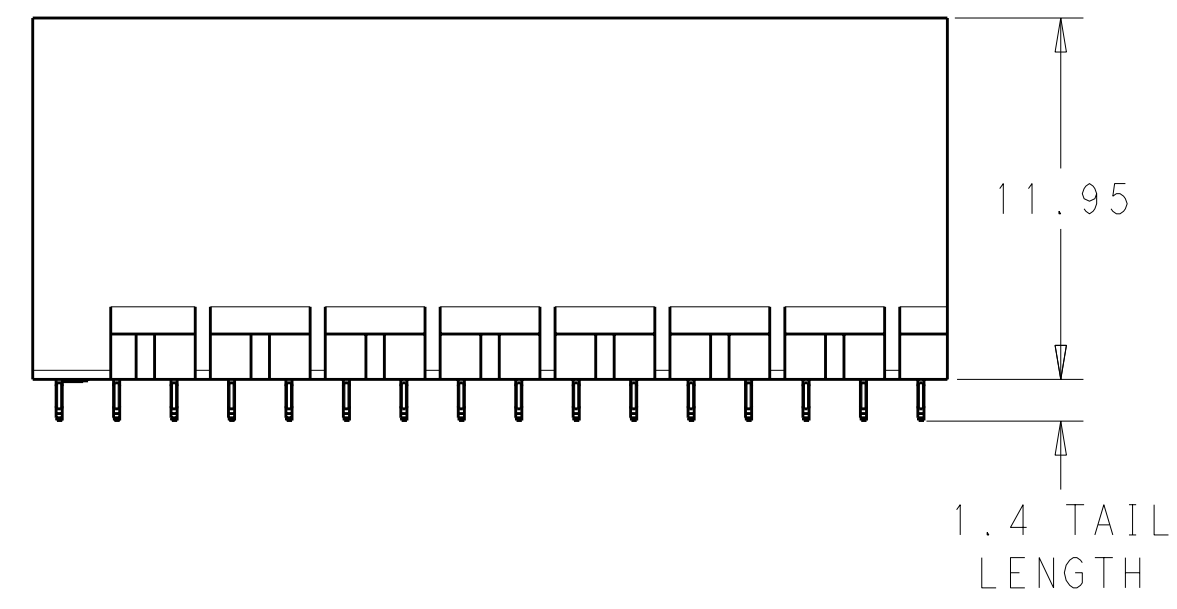


- 1 MATERIAL:  
HOUSING: LCP, GLASS FILLED, UL94V-0.  
TERMINALS: HIGH PERFORMANCE COPPER ALLOY.
- 2 FINISH:  
30µ" MIN GOLD IN CONTACT AREA. SELECTIVE TIN  
ON PCB TAILS, NICKEL OVERALL.
- 3 FINISH:  
30µ" MIN GOLD IN CONTACT AREA. SELECTIVE TIN-LEAD  
ON PCB TAILS, NICKEL OVERALL.



288X  $\varnothing 0.46 \pm 0.05$   
 $\varnothing 0.10$   
 PLATED THRU HOLE

UNGUIDED  
 BACKPLANE HOLE PATTERN  
 (CONNECTOR SIDE)




THIS DRAWING IS A CONTROLLED DOCUMENT.		DWN R. COELLO 02MAY2011	TE Connectivity
DIMENSIONS: mm		CHK J. EARY 02MAY2011	
TOLERANCES UNLESS OTHERWISE SPECIFIED: 9 PLC ± 1 PLC ±0.25 5 PLC ±0.13 4 PLC ± ANGLES ±		APVD J. EARY 02MAY2011	
MATERIAL		FINISH SEE TABLE	NAME IMPACT, 6 PAIR, 16 COLUMN, HEADER UNGUIDED, OPEN END WALL SIGNAL MODULE, 0.46 PTH
CUSTOMER DRAWING		SCALE 4:1	SIZE CAGE CODE DRAWING NO. RESTRICTED TO A100779C=2007896 SHEET 1 OF 2 REV A

THIS DRAWING IS UNPUBLISHED. RELEASED FOR PUBLICATION 20  
 BY: . ALL RIGHTS RESERVED.

LOC	DIST	REVISIONS			
		REV	DATE	BY	APPD
AD	00	-	-	-	-
		-	SEE SHEET 1	-	-

FINISH	DIM M	PART NUMBER
$\triangle_3$	5.5	2007896-6
$\triangle_3$	4.9	2007896-5
$\triangle_3$	4.5	2007896-4
$\triangle_2$	5.5	2007896-3
$\triangle_2$	4.9	2007896-2
$\triangle_2$	4.5	2007896-1

REFER TO WWW.TE.COM  
FOR PRODUCT AVAILABILITY

THIS DRAWING IS A CONTROLLED DOCUMENT.		DWN R. COELLO 02MAY2011	 TE Connectivity
DIMENSIONS: mm		CHK J. EABY 02MAY2011	
TOLERANCES UNLESS OTHERWISE SPECIFIED:		APVD J. EABY 02MAY2011	NAME IMPACT, 6 PAIR, 16 COLUMN, HEADER
9 PLC ±		PRODUCT SPEC	UNGUIDED, OPEN END WALL
1 PLC ±0.25		APPLICATION SPEC	SIGNAL MODULE, 0.46 PTH
2 PLC ±0.13		WEIGHT	SIZE CAGE CODE DRAWING NO RESTRICTED TO
3 PLC ±		CUSTOMER DRAWING	A100779C=2007896
4 PLC ±		SCALE 5:1	SHEET 2 OF 2
ANGLES ±		REV A	
FINISH SEE TABLE			

单击下面可查看定价，库存，交付和生命周期等信息

[>>TE Connectivity\(泰科\)](#)