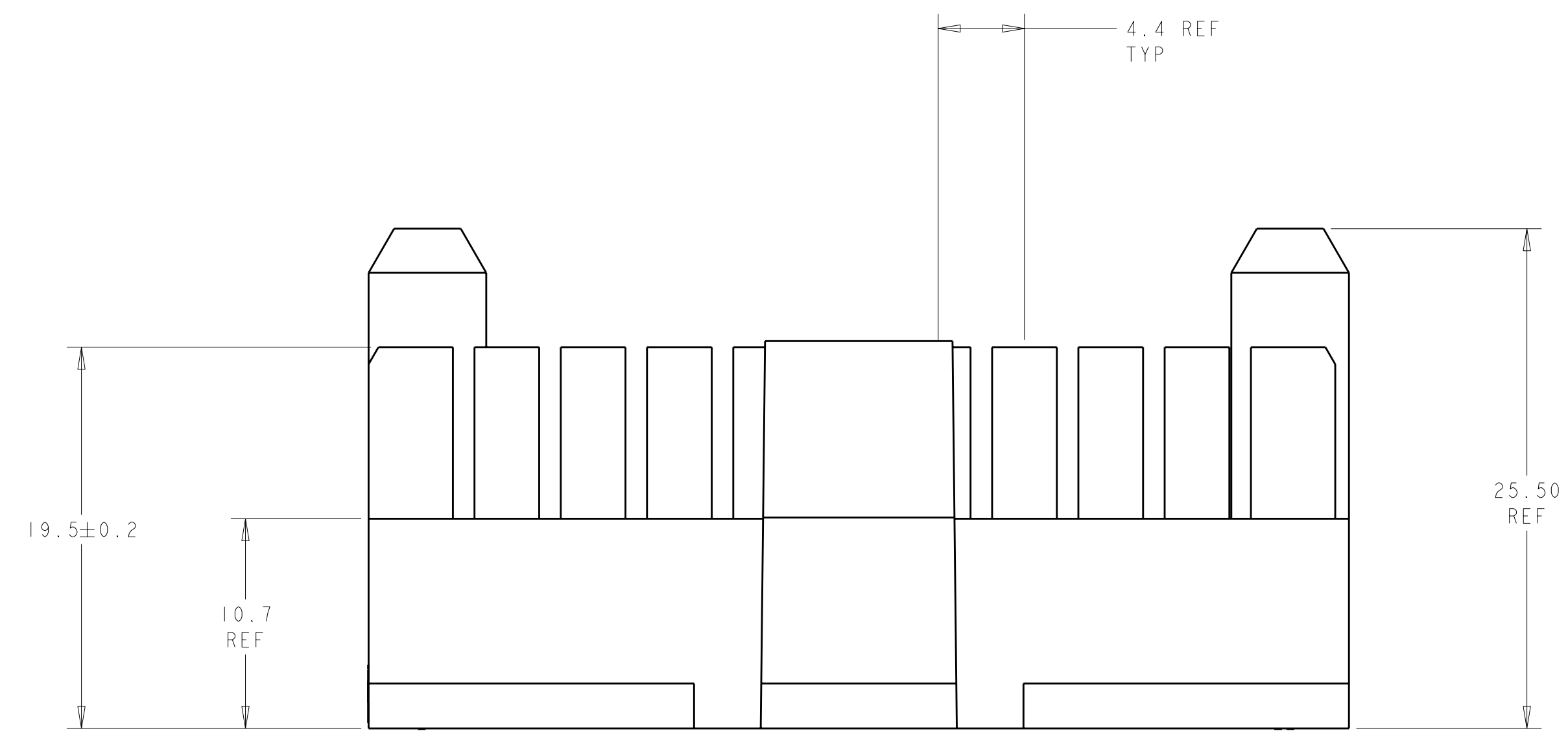
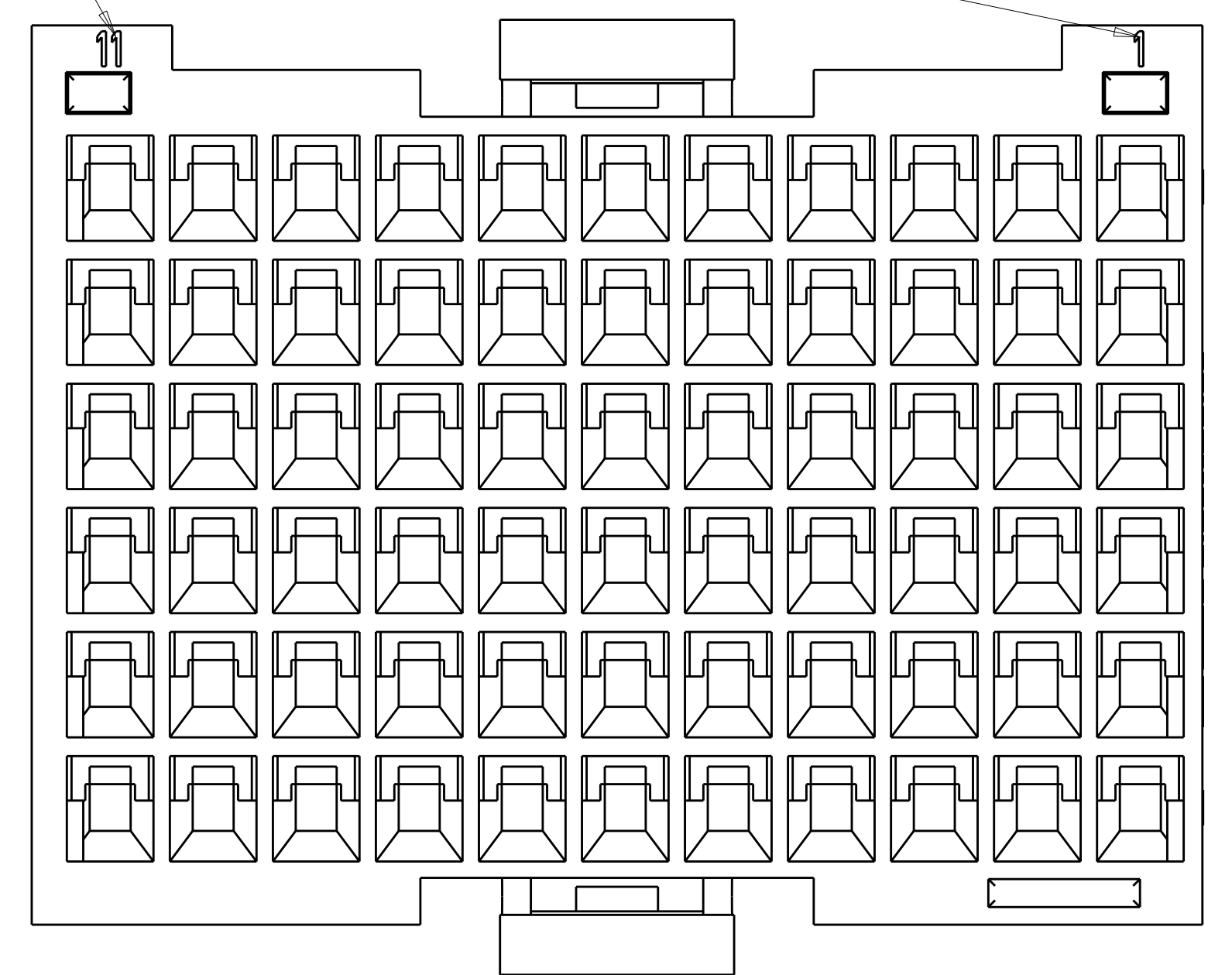
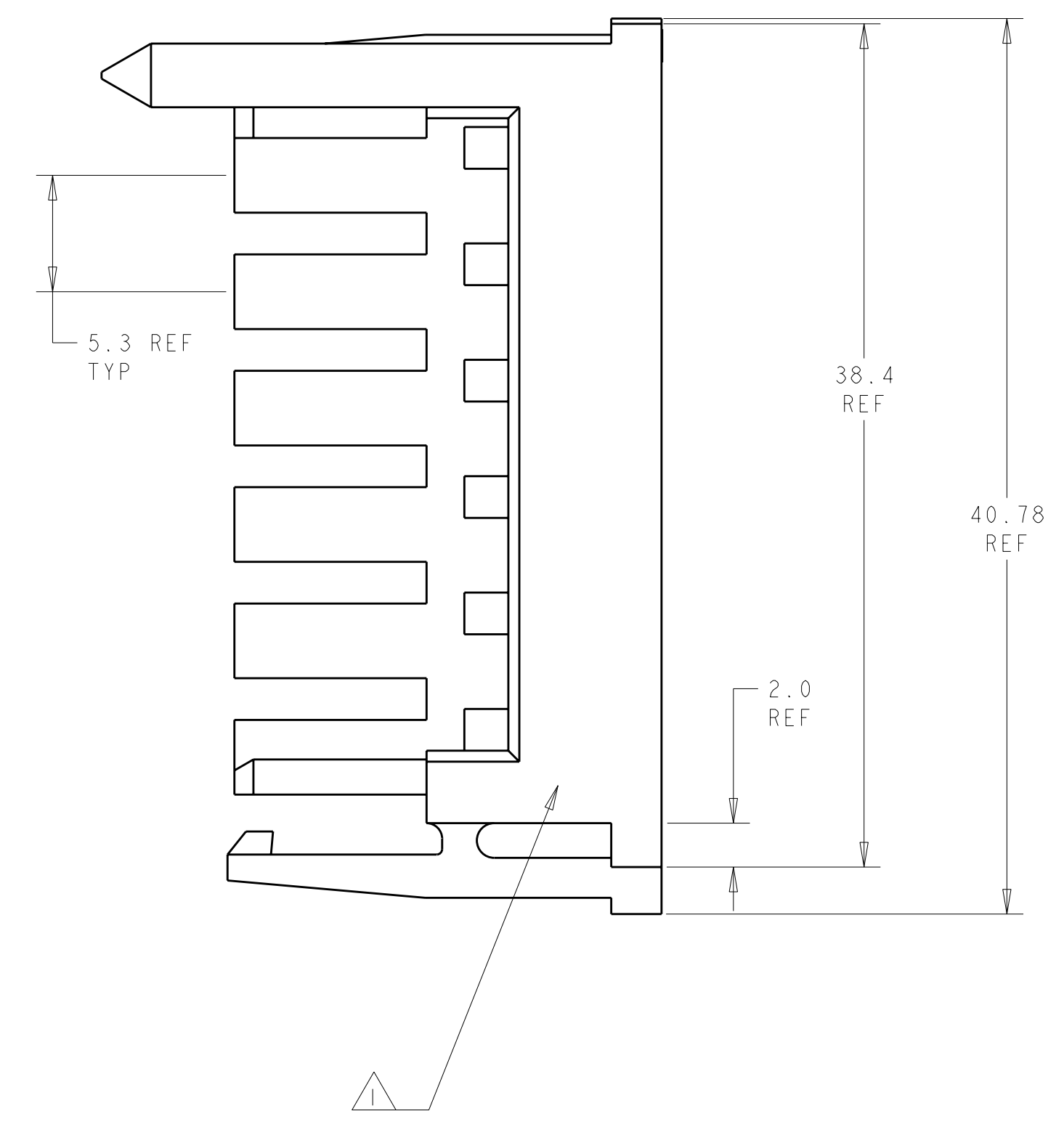
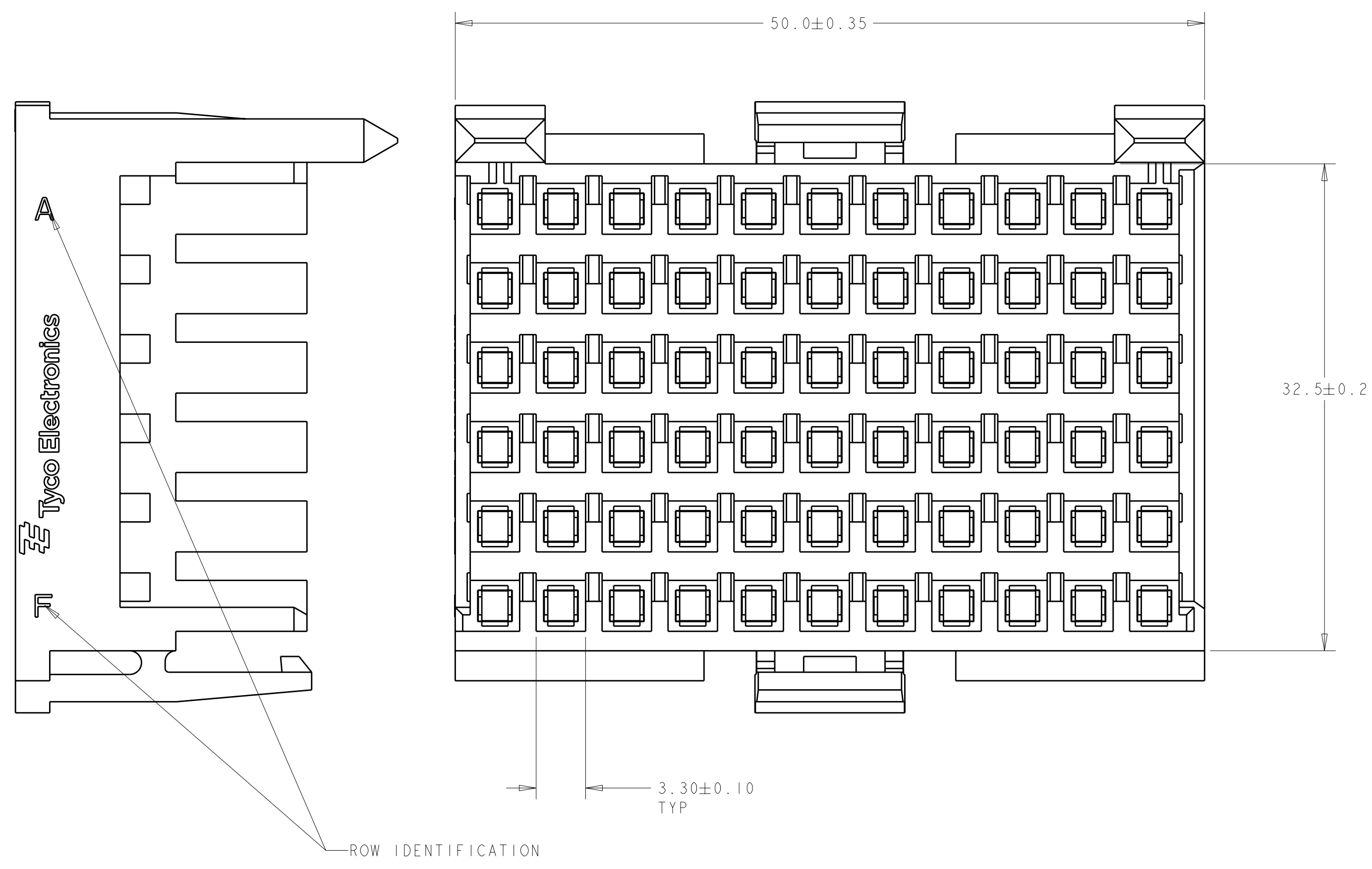


LOC	DIST	REVISIONS					
AD	00	P	LTR	DESCRIPTION	DATE	DWN	APVD
		A		RELEASED PER ECO-07-017382	01AUG2007	WS	AF



CONFIDENTIAL

THIS PRODUCT HAS NOT COMPLETED VALIDATION TESTING

1934145-1
PART NUMBER

<small>THIS DRAWING IS UNPUBLISHED. RELEASED FOR PUBLICATION BY TYCO ELECTRONICS CORPORATION. IT IS SUBJECT TO CHANGE WITHOUT NOTICE AND WITHOUT OBLIGATION. SHOULD BE CONTACTED FOR THE LATEST REVISION.</small>		DWN: C. RITTER 01FEB2006 CHK: R. WHITEMAN 01FEB2006 APVD: -	tyco Tyco Electronics Harrisburg, PA 17105-3608
DIMENSIONS: mm 		PRODUCT SPEC: 108-2248 APPLICATION SPEC: 114-13195 WEIGHT: -	NAME: 66 POSITION RECEPTACLE HOUSING AMP-DUAC UPC SIZE: A 00779 C=1934145 SCALE: 4:1 SHEET 1 OF 1 REV A
TOLERANCES UNLESS OTHERWISE SPECIFIED: 0 PLC ± 1 PLC ± 2 PLC ± 3 PLC ± 4 PLC ± ANGLES ±		CUSTOMER DRAWING	

单击下面可查看定价，库存，交付和生命周期等信息

[>>TE Connectivity\(泰科\)](#)