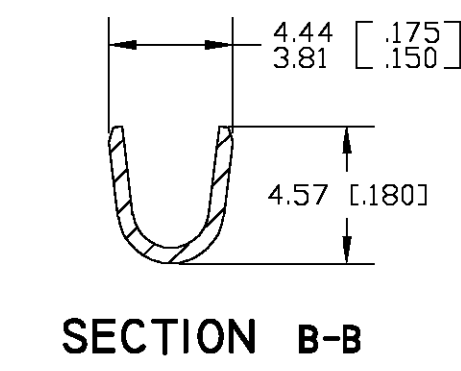
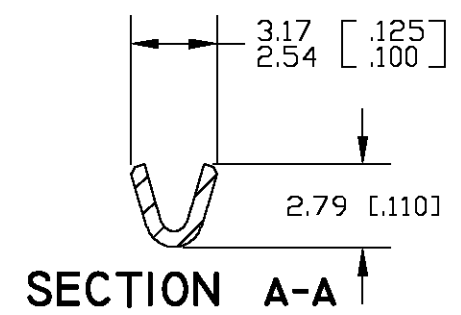
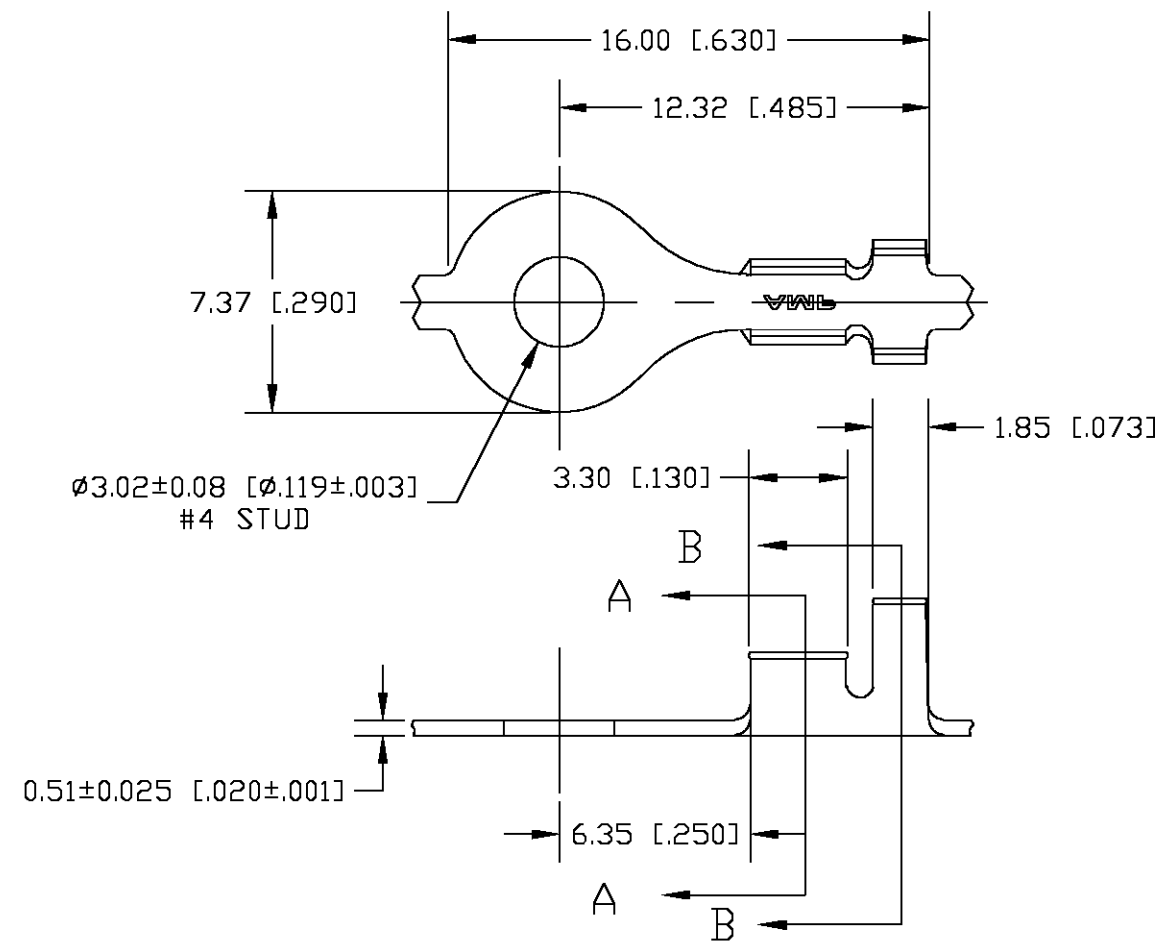


THIS DRAWING IS UNPUBLISHED. RELEASED FOR PUBLICATION .19
 © COPYRIGHT 19 BY AMP INCORPORATED. ALL RIGHTS RESERVED.

LOC	DIST	REVISIONS			
P	LTR	DESCRIPTION	DATE	DWN	APVD
AF	50	H	REDRAWN PER OG3A-0490-00	26JUL00	JR DD

- 1 CONTINUOUS STRIP ON REELS.
- 2 WIRE SIZE IS [#24-#20] AWG.
- 3 INSULATION RANGE IS 2.03-2.54 [.080-.100] DIA.



41579
PART NO.

THIS DRAWING IS A CONTROLLED DOCUMENT.		DWN J RUTH 26JUL00	AMP AMP Incorporated Harrisburg, PA 17105-3608	
DIMENSIONS: MM [INCHES]		CHK MS FEHER 26JUL00		
TOLERANCES UNLESS OTHERWISE SPECIFIED:		APVD D DECKER 26JUL00	NAME RING TONGUE	
0 PLC ± - 1 PLC ± - 2 PLC ± 0.38[.015] 3 PLC ± - 4 PLC ± - ANGLES ± -		PRODUCT SPEC -	APPLICATION SPEC -	RESTRICTED TO -
MATERIAL 082 BRASS	FINISH TIN PLATED	WEIGHT	SIZE A3	CAGE CODE 00779
		DRAWING NO C-41579		
CUSTOMER DRAWING			SCALE 5:1	SHEET 1 OF 1
			REV H	

单击下面可查看定价，库存，交付和生命周期等信息

[>>TE Connectivity\(泰科\)](#)