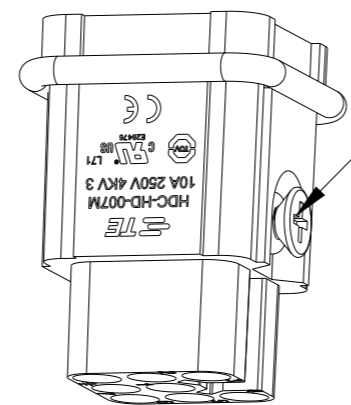
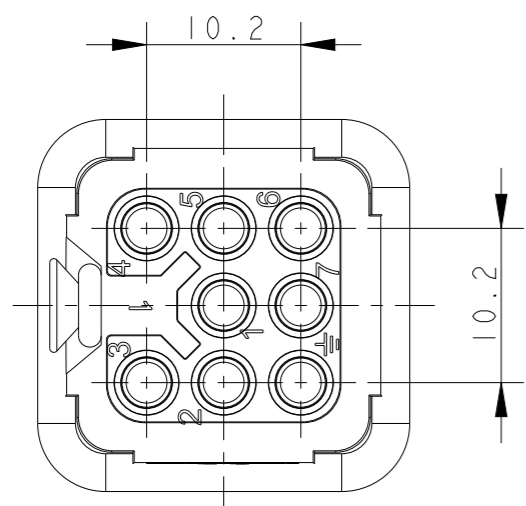


THIS DRAWING IS UNPUBLISHED. RELEASED FOR PUBLICATION 20
 © COPYRIGHT 20 BY - ALL RIGHTS RESERVED.

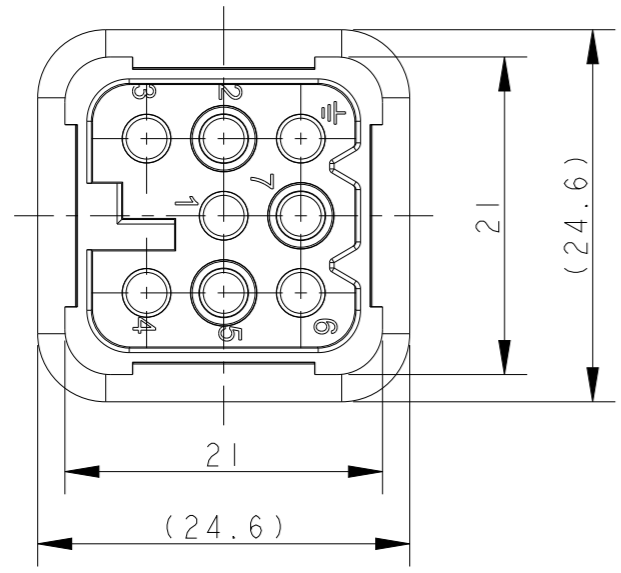
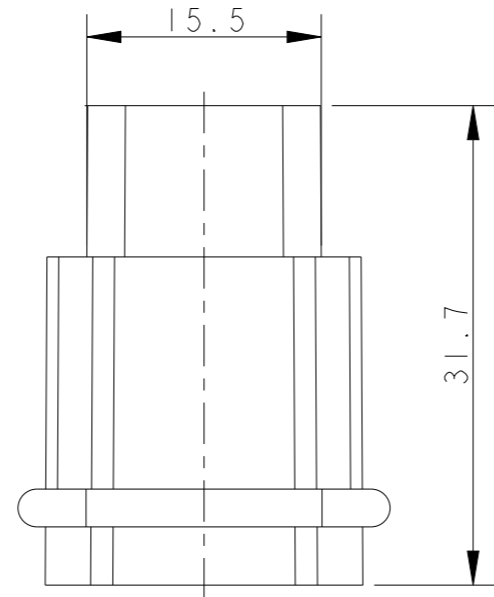
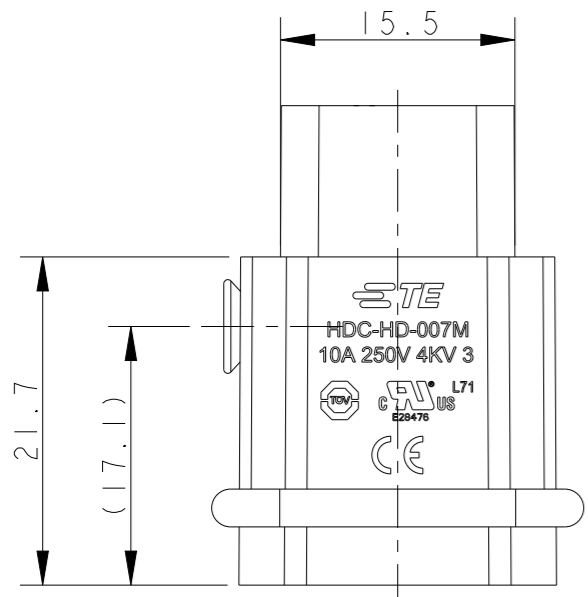
REVISIONS

P	LTR	DESCRIPTION	DATE	DWN	APVD
A		INITIAL RELEASE	13JUL2015	HMR	CW
B		ECR-15-013292	16SEP2015	DL	CW
BI		ECR-16-015492	04NOV2016	QY	CW
C		ECR-21-105750	02JUL2021	BS	CW



SCALE 3:2

TYPE-1, T2020072101-000, TE LOGO
 类型-1, T2020072101-000, TE LOGO



NOTES:

- TECHNICAL CHARACTERISTICS:
 INSULATION MATERIAL: PBT
 RATED VOLTAGE: 250 V
 RATED CURRENT: 10 A
 INSULATION RESISTANCE: >=400MΩ
 RATED IMPULSE VOLTAGE: 4 KV
 POLLUTION DEGREE: 3
 FLAMMABILITY: UL94V-0
 MATING CYCLES: 500 CYCLES
 WIRE RANGE: 0.14-2.5 mm² (26-14 AWG)
 CONTACT TYPE: CRIMP CONTACT
- CONTACT NEED TO BE ORDERED SEPARATELY.
 (ORDER No. REFER TO DRAWING: T20200X10XX000)

注释:

- 技术参数:
 绝缘材料: PBT
 额定电压: 250V
 额定电流: 10A
 绝缘电阻: >=400MΩ
 额定脉冲电压: 4 KV
 污染等级: 3
 阻燃等级: UL94V-0
 插拔次数: 500次
 接线范围: 0.14-2.5 mm² (26-14 AWG)
 接线类型: 冷压接
- 端子需要单独订购。
 (订货号参考图面: T20200X10XX000)

THIS DRAWING IS A CONTROLLED DOCUMENT.		DWN 16DEC2014 RAGHAVENDRA H M	TE Connectivity		
DIMENSIONS: mm		CHK 16DEC2014 CHRIS WANG			
TOLERANCES UNLESS OTHERWISE SPECIFIED:		APVD 16DEC2014 XU XIANG	NAME HD-007-M		
0 PLC ±- 1 PLC ±- 2 PLC ±- 3 PLC ±- 4 PLC ±- ANGLES ±-		PRODUCT SPEC 108-137042	RESTRICTED TO		
MATERIAL TBD		APPLICATION SPEC 114-137042	SIZE A3	CAGE CODE -	DRAWING NO T2020072101000
FINISH -		WEIGHT -	SCALE 2:1 SHEET 1 OF 2 REV C		
-		CUSTOMER DRAWING			

THIS DRAWING IS UNPUBLISHED.

RELEASED FOR PUBLICATION

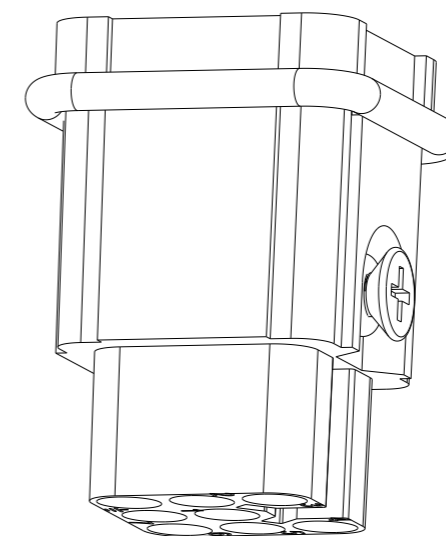
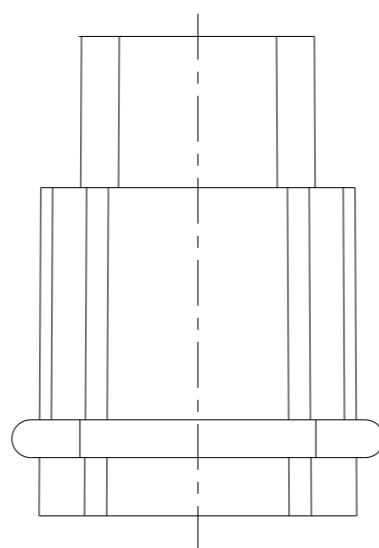
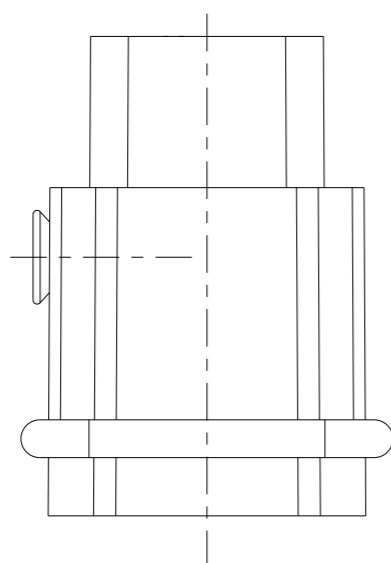
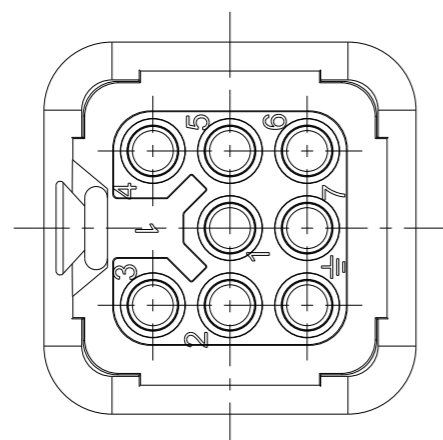
20

© COPYRIGHT 20 BY -

ALL RIGHTS RESERVED.

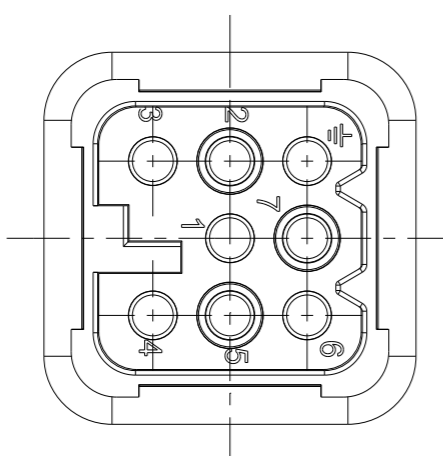
REVISIONS

P	LTR	DESCRIPTION	DATE	DWN	APVD
-	-	SEE SHEET 1	-	-	-



NOTE:
SEE SHEET 1
注释:
见页 1

TYPE-2, T2020072101-001, STAINLESS STEEL SCREW, NO LOGO
类型-2, T2020072101-001, 不锈钢螺丝, 无LOGO



ALL DIMENSIONS ARE SAME AS TYPE 1,
EXCEPT THOSE DEFINED IN THIS TYPE.
除了在本类型中定义的尺寸外, 其它尺寸同类型 |

T2020072101-001	HD-007-M	HD-007 MALE INSERT, STAINLESS STEEL SCREW, NO LOGO HD-007 公插, 不锈钢螺丝, 无LOGO	TYPE-2 类型-2
T2020072101-000	HD-007-M	HD-007 MALE INSERT HD-007 公插	TYPE-1 类型-1
PART NUMBER 料号	PART DESCRIPTION 描述		TYPE 类型

THIS DRAWING IS A CONTROLLED DOCUMENT.

DWN 16DEC2014
RAGHAVENDRA H M

CHK 16DEC2014
CHRIS WANG

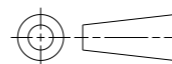
APVD 16DEC2014
XU XIANG

NAME
HD-007-M



DIMENSIONS:
mm

TOLERANCES UNLESS
OTHERWISE SPECIFIED:



0 PLC ±
1 PLC ±
2 PLC ±
3 PLC ±
4 PLC ±
ANGLES ±
FINISH -

MATERIAL
TBD

PRODUCT SPEC
108-137042

APPLICATION SPEC
114-137042

WEIGHT
-

CUSTOMER DRAWING

SIZE A3 CAGE CODE - DRAWING NO. ©-T2020072101000 RESTRICTED TO

SCALE 2:1 SHEET 2 OF 2 REV C

单击下面可查看定价，库存，交付和生命周期等信息

[>>TE Connectivity\(泰科\)](#)