

4

3

2

1

THIS DRAWING IS UNPUBLISHED.

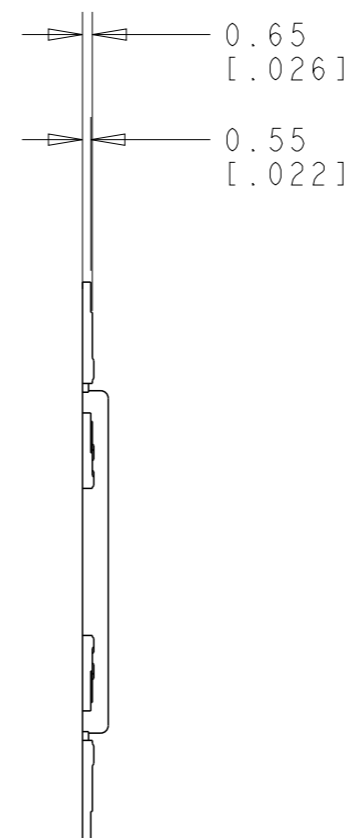
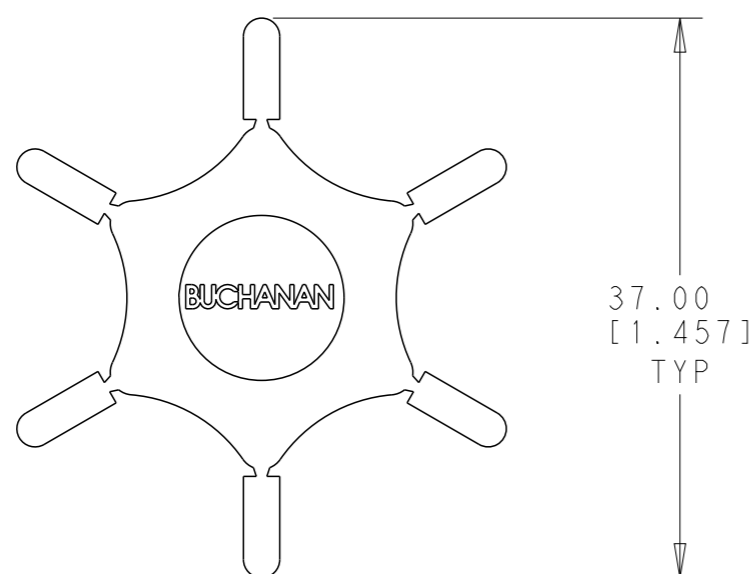
RELEASED FOR PUBLICATION

20

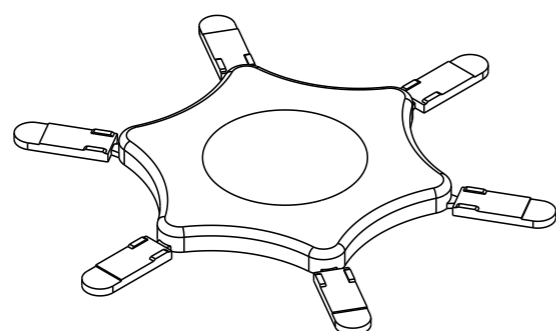
© COPYRIGHT 20 BY -

ALL RIGHTS RESERVED.


LOC	DIST	REVISIONS					
		P	LTR	DESCRIPTION	DATE	DWN	APVD
-	-		A	NEW DRAWING	17SEP2012	KH	MB



1 TEMPERATURE RATING 110°C [230°F]



RED	PA 6-6, UL94-V0	1546051-1
COLOR	MATERIAL	PART NUMBER

THIS DRAWING IS A CONTROLLED DOCUMENT.		DWN 17SEP2012 KIRAN HOLAL	 TE Connectivity	
DIMENSIONS: MM [INCHES]		CHK 17SEP2012 MARK BRUBAKER		
TOLERANCES UNLESS OTHERWISE SPECIFIED:		APVD 17SEP2012 MARK BRUBAKER	PRODUCT SPEC 108-20166	RESTRICTED TO
0 PLC ±- 1 PLC ±- 2 PLC ±0.15 [.006] 3 PLC ±- 4 PLC ±- ANGLES ±-		APPLICATION SPEC 114-20079	WEIGHT -	SIZE A3
MATERIAL -	FINISH -	Customer Drawing	SCALE 2:1	CAGE CODE 300779
			DRAWING NO 1546051	REV A
			SHEET 1	OF 1

单击下面可查看定价，库存，交付和生命周期等信息

[>>TE Connectivity\(泰科\)](#)